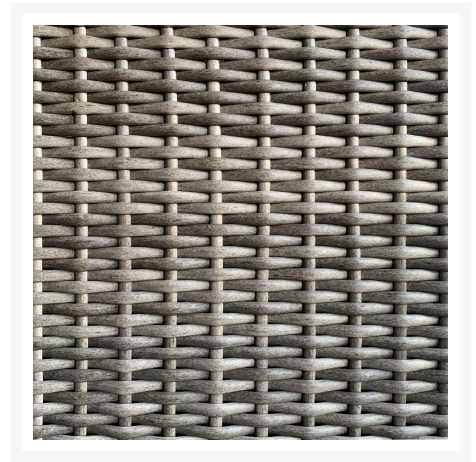
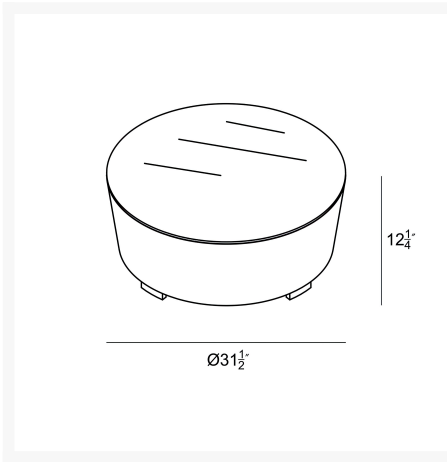


---

## Product Images

---





## Short Description

---

Dune Round Coffee Table HL-DUNE-DW-RCT by Harmonia Living

## Description

---

Bring timeless style and beauty to any outdoor space with the Dune Round Coffee Table (HL-DUNE-DW-RCT) by Harmonia Living. Its fully-welded aluminum frames are treated with a powder-coated finish to ensure lasting performance across the seasons while the wicker is hand-woven from High-Density Polyethylene (HDPE) which is resistant to cracking. Made for lasting durability, color is infused into the HDPE wicker to prevent fading and finished in a beautifully textured Driftwood color to give it a natural look and feel. A tempered glass table top adds a unique visual appeal while making the piece easy to clean and maintain. Harmonia Living can be tailored to both Residential and Commercial settings and is committed to delivering exceptional furnishings to your outdoor space.

### Includes

- One (1) Dune Round Coffee Table HL-DUNE-DW-RCT
- One (1) Glass Top

### Dimensions

- 31.5"W x 31.5"D x 12.25"H (37 lbs.)

- Frame Height: 12.25"

## Features

- High-Density Polyethylene (HDPE) is a synthetic all-weather wicker made with virgin materials that provides resistance to fading and cracking. Wicker color is infused into the HDPE wicker for lasting durability.
- Wicker is hand-woven onto a thick gauge, powder coated aluminum frame that is lightweight, durable and corrosion resistant.
- Decorative teak wood feet. Each seat is triple reinforced for lasting durability.
- Tempered glass top is extra strong and suitable for regular outdoor exposure.
- Plastic foot glides help to protect your patio from scratching and also to help keep the furniture protected from dirt or water that can accumulate on the patio.
- No assembly required.

## Warranty

Harmonia Living's warranty covers manufacturing defects; normal wear and tear is not included. With a little bit of care, your furniture will outlive the warranty for many years.

- HDPE Wicker: Harmonia Living extends a 2-year residential / 1-year commercial warranty against structural failure, finish fading, or cracking.

## Care and Maintenance

HDPE Wicker: To clean HDPE wicker, rinse with cool water, and use a cloth with mild dish soap to wipe down and remove dust and residue. Use cool water to wipe away any soapy residue. Dry with a soft cloth.

Covers & Storage: When not in use, we recommend using a protective cover with your furniture. During harsh weather and extreme temperatures, we recommend storing the cushions in a shed or garage and covering the frames with protective covers. If you store the frames indoors during the winter, avoid storing them upside down, which can trap moisture.

## About the Manufacturer

Harmonia Living - an integration of beauty, function and durability. For over 15 years, Harmonia Living has strived to represent versatility and unparalleled value in every collection it designs and manufactures. Originally conceived from a vision to integrate elegant, high-end styles with approachable prices, Harmonia Living has grown from a small company based in San Diego, California to one that services the contiguous United States. Harmonia Living is committed to delivering outstanding service and exceptional indoor and outdoor furnishings to bring people together.

## Additional Information

---

SKU	HL-DUNE-DW-RCT
Brand	Harmonia Living
Ships Out Estimate	3 - 5 Business Days
Residential Warranty	HDPE Wicker: 2 Years

### Dune Round Coffee Table HL-DUNE-DW-RCT by Harmonia Living

was  
**\$595.00** Special  
Price  
**\$419.00**

