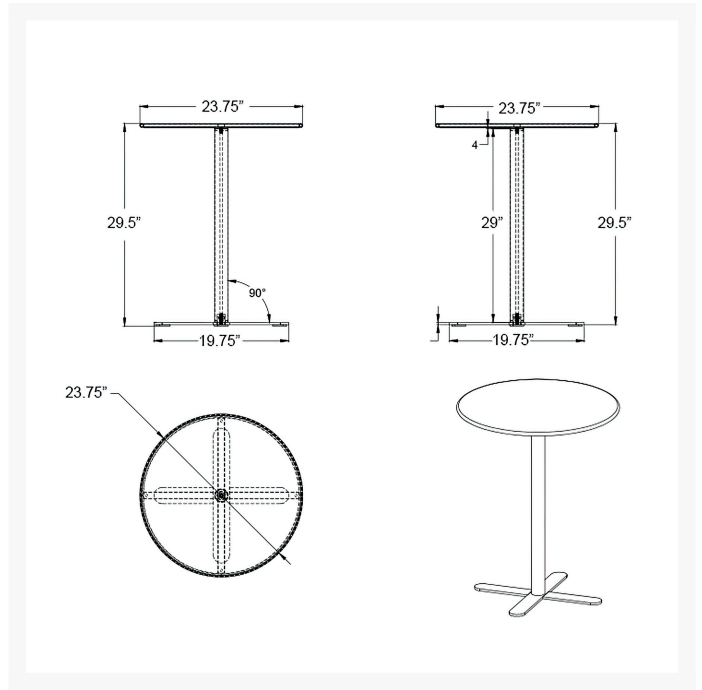

Product Images





Short Description

Betty Bistro Table HL-BET-2DT

Description

Its simple, yet modern design makes the Betty Bistro Table (HL-BET-2DT) by Harmonia Living a sharp choice for patio drinks and dining. Versatile enough for use outdoors or in, durable enough for home or public space, Betty will be the center of the party. Its sturdy steel frame and durable powder coating will perform across all seasons. Surround Betty with a few of our Frank Dining Chairs to elevate the setting with Mid-century Modern class.

Includes

- One (1) Betty Bistro Table HL-BET-2DT

Dimensions

- 23.75"W x 23.75"D x 29.50"H
- Under Table Clearance: 29.00"
- Weight: 22.00 lbs.

Features

- Fully welded steel frame offers incredible strength and stability.
- Electrophoretically Deposited Primer (EDP) undercoat and top layer powder coat add extra durability, style and corrosion resistance.
- Commercial grade construction intended for regular indoor or outdoor use.
- Made for both indoor and outdoor use.
- Assembly required.

Warranty

The Harmonia Living warranty covers manufacturing defects, normal wear and tear is not included. With a little bit of care, your furniture will outlive the warranty by many years.

- **Steel Frame:** Harmonia Living extends a 2 year limited residential/6 month limited commercial warranty against defects in workmanship and materials in steel frames that cause a structural failure.
- **Steel Finish:** Finishes carry a 1 year limited residential/90 day limited commercial warranty against defects such as peeling, cracking, or extreme discoloration. Finish warranty void if scratched or within 1 mile of the ocean.

Care & Maintenance

Frame: Simply hose off or wipe down your frame to clean it! Avoid using harsh cleaners, brushes or power washers, which could damage the finish. Take extra care when placing your furniture in humid or coastal settings; accumulation of salts and other debris can cause damage to your frame. Should the product get scratched or damaged, the metal will begin to rust. Use Rustoleum spray paint to touch up and prevent rust from spreading.

Covers & Storage: To prolong the life of your furniture, we recommend using a protective cover. In areas with harsh winter climate, store the cushions inside of a garage or shed, and cover the frames to prevent damage.

About the Manufacturer

Harmonia Living is an owner-operated furniture manufacturer from San Diego, California, where patio living is in vogue all year round! The brand was born out of a desire to provide a middle-of-the-road solution for consumers looking to purchase high quality outdoor furniture without having to pay the sky-high prices associated with most other luxury brands.

The team at Harmonia Living began developing new materials and manufacturing methods in 2007. Their advanced, innovative blend of materials allows the company to create furniture that's truly built for everyday use, both indoors and out. Harmonia Living prides itself on being the patio furniture company for everyone, marrying great quality outdoor sets with reasonable pricing.

Additional Information

SKU	HL-BET-2DT
Brand	Harmonia Living
Ships Out Estimate	3 - 5 Business Days
Residential Warranty	2 Years Frame 1 Year Finish

was

\$430.00 Special

Betty Bistro Table HL-BET-2DT by Harmonia Living

Price
\$309.00

