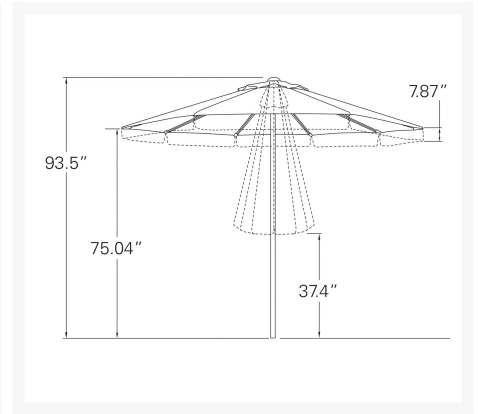




2161 Hancock St
San Diego, CA 92110
Phone: 1-888-947-4449

Product Images





UMBRELLA SIZE RECOMMENDATIONS

This information is intended to help you determine the appropriate size of umbrella for your needs. It is not intended to be a substitute for professional advice. Always consult with a professional before making any decisions. © 2024 Treasure Garden. All rights reserved.

SIZE/SHAPE	DINING	DEEP SEATING	SIZE/SHAPE	DINING	DEEP SEATING
12' Octagon 85			11.5' Square 122		
10' Octagon 80			10' Octagon 130		
8' Round 70			10' Octagon 129		
8' Octagon 70			8' Square 100		
6' Octagon 57			11.5' Octagon 96		
7' Square 49			8' Octagon 88		
7.5' Octagon 39					



Short Description

9' Octagon Commercial Centerpost Umbrella with Valance UCP409-V by Treasure Garden

Description

The 9' Octagon Commercial Umbrella w/ Valance (UCP409-V) by Treasure Garden is specifically designed to be extra durable and hardy for places that see a lot of traffic. It features an easy-to-use push-up system and stainless steel locking pin, which make setup streamlined and easy.

This sunshade is available in 3 sleek, rust-proof finishes and a variety of top quality, fade resistant fabrics. Whether you're looking to add stylish shade to your restaurant, outdoor lounge or poolside patio, this umbrella is adaptable to any and all of your outdoor needs. If you can't find the fabric you're looking for or would like to order an awning grade canopy, give us a call at 1-888-947-4449 for more options!

Includes

- One (1) 9' Octagon Commercial Umbrella w/ Valance UCP409-V
- Bases and protective covers sold separately

Recommended Bases:

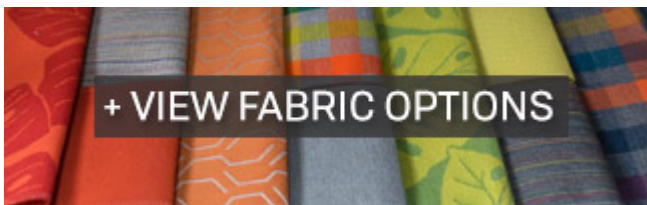
- Minimum base weight with dining table: 50 lbs
- Minimum free standing base weight: 100 - 150 lbs

Dimension

- Canopy Size: 9'
- Overall Height: 93.5"
- Coverage: 57 sq. ft.
- Number of Ribs: 8
- Pole Diameter: 1.53"
- Pole Wall Thickness: 1/16"
- Weight: 26 lbs.

Features

- Push-up lift system enables quick and easy setup
- 16 gauge center pole with 1.5 mm wall thickness built for commercial use
- Wind vents serve dual purpose of venting heat and providing stability against wind
- Available in Sunbrella, O'bravia, Outdura and Docril fabrics, which are distinctive, fade resistant and easy to clean
- Simply hose off to clean and store in protective cover away from elements to extend lifespan
- Awning grade fabrics available upon request



Warranty

- Frame has a 3 year warranty against manufacturing defects
- Outdura, Docril and standard Sunbrella fabrics have a 5 year fade warranty
- O'bravia fabrics have a 4 year fade warranty

Care and Maintenance

This sunshade is easy to care for. Simply hose off to clean or spot treat for stains. To further extend the lifespan of your umbrella, store in a protective cover away from the elements. Avoid using it during windy weather and try not to force the ribs apart when opening; this could damage your umbrella. If you plan on using your umbrella near salt water or an indoor pool, wipe it down regularly to prevent paint blistering. Don't forget to store it ahead of a storm!

About the Manufacturer

Treasure Garden has built a reputation of leadership by producing top quality, custom-made, handcrafted umbrellas, rugs, and furniture covers. Our designers combine advanced technology with the latest color and fabric trends to enhance our products and their performance every year. Thanks to the 6,000 employees who share in the same vision and their attention to detail, Treasure Garden continues to be "The World's Favorite Shade."

Additional Information

SKU	UCP409-V
Brand	Treasure Garden
Ships Out Estimate	3 - 4 Weeks
Residential Warranty	Frame: 3 Years Sunbrella/Outdura/Docril Fabrics: 5 Years O'bravia Fabrics: 4 Years
Fabric	View Fabric Options

DISCONTINUED 9' Octagon Commercial Centerpost Umbrella with Valance UCP409-V by Treasure Garden

was
\$630.00 Special
Price
\$429.00

