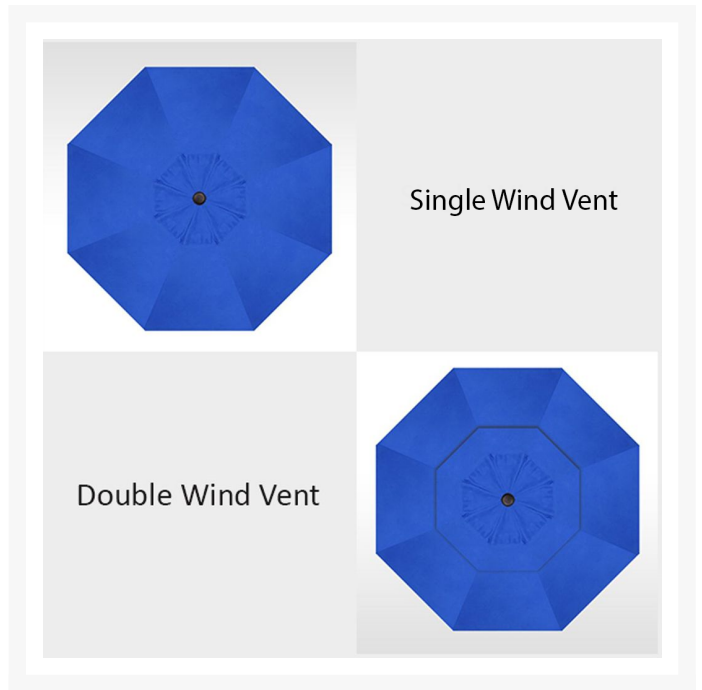
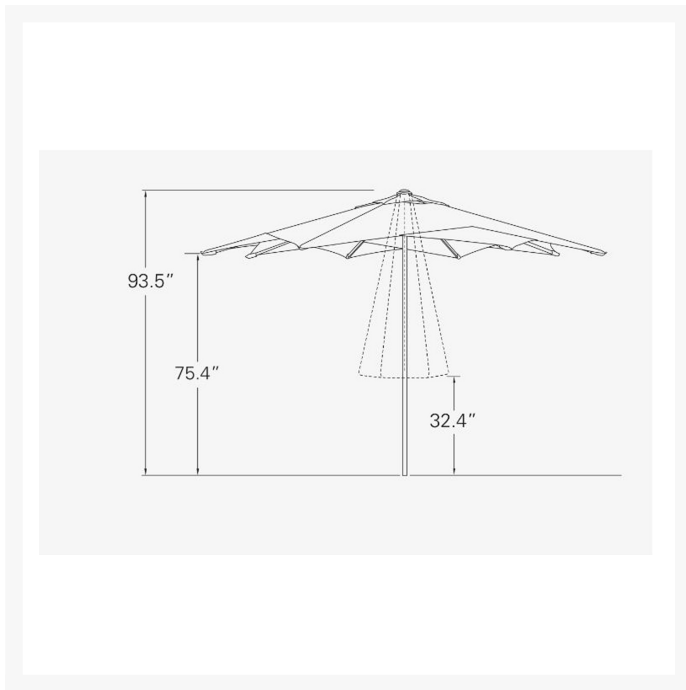

Product Images





Short Description

The 10' Stardust Star-Shaped Umbrella (UCP410-ST) by Treasure Garden. Treasure Garden has built a reputation of leadership by producing top quality, custom-made, handcrafted umbrellas. Combining advanced technology with the latest color and fabric trends

Description

The 10' Stardust Star-Shaped Umbrella (UCP410-ST) by Treasure Garden. This eye-catching outdoor umbrella features a stylish star-shape design. Built to last thanks to the quality construction and minimal moving parts, this umbrella will keep you cool and comfortable for many summers to come. Manufacturer recommends a minimum of 70 lbs. for the base. Protective cover and attachable lighting accessories also available.

Includes

- One (1) 10' Stardust Star-Shaped Umbrella

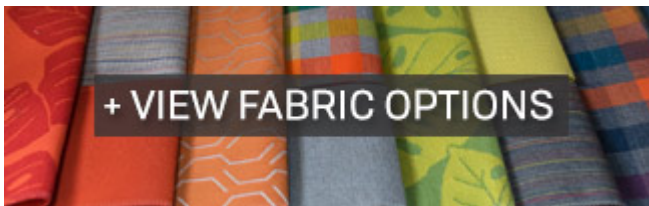
Dimensions

- Size: 10
- Ribs: 8
- Height: 93.5
- Coverage: 65 Sq. Ft.
- Pole Diameter: 1.53" Smooth
- Pole Wall: 0.06"
- Weight: 19 lbs

Features

- 10' Stardust Star-Shaped Umbrella

- Shape: Star
- Vent Style: Single Wind Vent (SWV)
- Tilt Not Available
- Lift type: Pop-up & Pin
- Recommended Minimum Base Weight: 70 lbs.



About The Fabrics

Of the two fabric major brands we offer, this custom patio umbrella in, Sunbrella® is considered the best, and O'Bravia™ ranks a close second. These brands use the same legendary solution-dyed acrylic process. Our patio furniture experts consider these brands to be of equal quality and value so for convenience and pricing purposes we have combined them into the Sunbrella image viewer and price tier.

More Fabric Options Available!

Couldn't find the Sunbrella fabric you want from our drop-down menu? Treasure Garden offers nearly every fabric from the Sunbrella Collection on all of their outdoor umbrellas. Give us a call for options & pricing, we would be glad to help!

Fabrics indicated with a grade of SOA or SOA+ are special order fabrics that may take between 4 - 6 weeks to be made.

100% Solution-Dyed Acrylic Fabrics - 5 Years Warranty (Grade A, A+, SOA, and SOA+)

Acrylic fabric has become the standard for outdoor use, and we are proud to offer 100% Solution-Dyed Acrylic fabric choices from top mills like Sunbrella, Outdura, Sunbury, Docril, and Bella-Dura. Acrylic is a durable and colorfast fabric, and is the #1 choice of fabrics for outdoor umbrellas. All of these fine fabrics carry a 5 Year Warranty against fading.

100% Solution-Dyed Polyester Fabrics - 4 Year Warranty (Grade C Fabrics)

100% Solution-Dyed Polyester- O'Bravia™ is a proprietary line of environmentally friendly outdoor fabrics. It combines many of the same advantages as more expensive acrylic options, and is backed by a 4 year warranty covering loss of color or strength from normal exposure including sunlight, mildew and rot.

About The Manufacturer

Treasure Garden has built a reputation of leadership by producing top quality, custom-made, handcrafted umbrellas. Combining advanced technology with the latest color and fabric trends, we continue to enhance our products and their performance every year. We are committed to providing the largest and most innovative selection of shade solutions to suit all your needs and include umbrella lighting and furniture cover protection.

Additional Information

SKU	UCP410-ST
Brand	Treasure Garden
Ships Out Estimate	Custom: 3 - 4 Weeks
Residential Warranty	Frame: 1 Year Acrylic: 5 Years Polyester: 4 Years
Fabric	View Fabric Options

DISC 10' Stardust Star-Shaped Umbrella UCP410-ST

was
\$585.00 Special
Price
\$389.03

