



Patio Productions San Diego

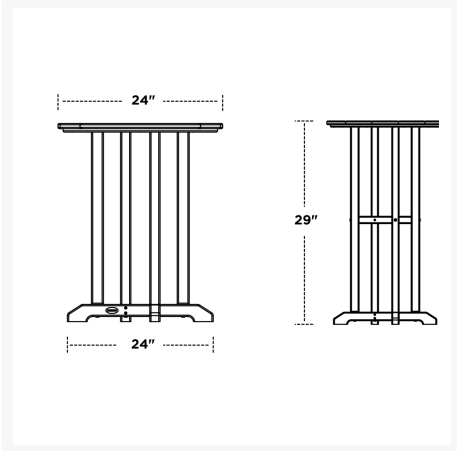
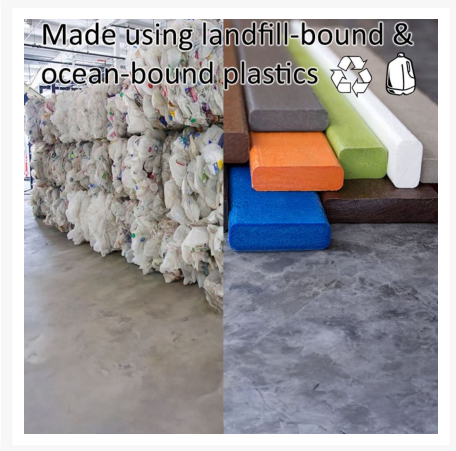
2161 Hancock St

San Diego, CA 92110

Phone: 1-888-947-4449

Product Images





Short Description

Farmhouse 24" Round Bistro Table RT124 by POLYWOOD

Description

The Farmhouse 24" Round Bistro Table (RT124) by POLYWOOD is perfect for small, casual outdoor dining areas. This piece's smooth, slatted frame design and versatile build make it a great fit for all patio styles, while sturdy, all-weather construction ensures lasting performance across the seasons. Constructed with genuine POLYWOOD® lumber, which includes landfill-bound and ocean-bound plastics, this piece is made to last - and make a lasting difference! This table can seat 2 to 3 people.

Includes

- One (1) 24" Round Farmhouse Bistro Table RT124

Dimensions

- 24" W x 24" D x 29" H (27 lbs.)

Features

- POLYWOOD® Lumber is dense, durable, and virtually maintenance free
- Unlike natural wood, composite lumber won't crack, fade, or rot over time
- Built to withstand a range of climates, including hot sun, snowy winters, and strong coastal winds
- High Density Polyethylene (HDPE) frames manufactured using landfill-bound and ocean-bound plastics
- UV protectant and color infused into the lumber; no painting or waterproofing needed
- Marine-grade quality hardware
- Classic texture finishes have a smooth feel; Vintage finishes have a wood-look texture and are not as smooth as Classic finishes
- Made in the USA
- Some assembly required

Warranty

POLYWOOD's warranty covers manufacturing defects; normal wear and tear is not included. With a little bit of care, your POLYWOOD furniture and fabric will outlive the warranty by many years.

- POLYWOOD Frames: POLYWOOD® warranties to the original purchaser that, for a period of twenty (20) years of residential use from the date of purchase, under normal use and service conditions, POLYWOOD® furniture shall be free from material defects, and shall not splinter, crack, chip, peel, or rot, or suffer structural damage from insect infestation. Commercial warranty is three (3) years.

Care & Maintenance

How to Clean & Sanitize POLYWOOD Furniture: Use this method for quick clean-ups throughout the season. Add in the bleach solution noted below to easily sanitize and eliminate any stubborn stains or dirt build-up from the winter months.

All you need to clean POLYWOOD is mild dish soap, warm water, and a soft cloth! For extra cleaning power or to sanitize, mix 1/3 parts bleach with 2/3 parts water and apply the bleach mixture to the finish with a clean cloth. Allow the bleach solution to sit on the lumber for a few minutes; it will not affect the color of the lumber. Loosen any dirt or debris that may catch in the surface grooves of the lumber by scrubbing the bleach mixture with a soft-bristle brush. Rinse thoroughly, and air dry or wipe dry with a soft cloth.

How to Clean Outdoor Fabric: Small stains can be removed with a mixture of mild dish soap and water. For tougher stains, mix 1 ounce of bleach with 30 ounces of water in a spray bottle. If possible, place a clean towel between the fabric and foam cushion to absorb any excess moisture. Set the nozzle to "fan", then spray

and wet out the entire side of the cover where the stain is. Wipe the entire cover with a clean cloth to remove any excess moisture, then spray the same area with clean water to rinse the bleach solution out of the fabric. Wipe the entire cover again with a clean cloth to remove any excess moisture, then allow the cover to air dry.

About POLYWOOD

Back in 1990, we were the first to create outdoor furniture from recycled plastic materials. "Made with genuine POLYWOOD lumber" is a brand promise. Our furniture is built to be enjoyed season after season. More importantly, our goal is to help create spaces where friends and family can gather, relax, and connect. Today, POLYWOOD recycles an average of 400,000 milk jugs per day. Truckloads of recycled milk jugs are transformed into genuine POLYWOOD lumber, which is then used to construct our wide array of Adirondack chairs, rocking chairs, benches, gliders, deep seating, dining, and more! POLYWOOD furniture is built to withstand all four seasons and a range of climates including hot sun, snowy winters, salt spray, and heavy winds. Unlike traditional wood furniture, POLYWOOD furniture will never need to be sanded, painted or stained.

Additional Information

SKU	RT124
Brand	POLYWOOD
Ships Out Estimate	1 - 2 Weeks
Residential Warranty	Frame: 20 Years

Farmhouse 24" Round Bistro Table RT124 by POLYWOOD

was
\$425.00 Special
Price
\$299.00

