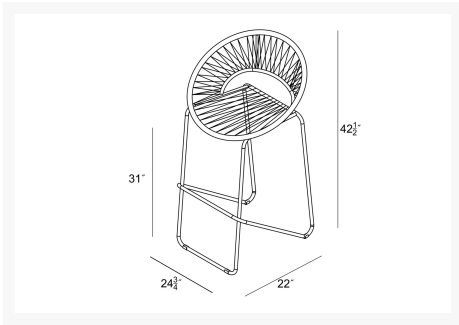


---

## Product Images

---





## Short Description

---

Acapulco Bar Chair HL-ACA-BC by Harmonia Living

## Description

---

The Acapulco Bar Chair (HL-ACA-BC) by Harmonia Living blends mid-century design with modern funk to create a new standard of comfort and style for your patio. The collection is inspired by woven furniture that was incredibly popular in Central America in the 1950s and '60s, creating seating that is supportive and breathable. This makes the Acapulco Bar Chair ideal for outdoor dining, even in the warmest climates. Beyond its comfortable design, the chair is constructed with a powder-coated steel frame, making it incredibly durable and weather-resistant. The frame is wrapped in a supportive Polyethylene cord, giving the collection its distinctive look.

### Includes

- One (1) Acapulco Bar Chair HL-ACA-BC

### Dimensions

- 24.75"W x 22"D x 42.5"H (12 lbs.)
- Frame Height: 42.5"
- Seat Height (No Cushion): 31"
- Back Height: 11.5"

### Features

- Hammock-like design provides breathable seating, perfect for any climate.
- Strapping is hand-woven from recyclable Polyethylene (PE), which is water resistant, flexible and durable.
- Powder-coated steel frame offers incredible durability, stability and protection from corrosion.
- Round, oversized frame makes for very comfortable seating.
- UV inhibitors prevent cracking or fading.
- Assembly required.

### Warranty

Harmonia Living's warranty covers manufacturing defects; normal wear and tear is not included. With a little bit of care, your furniture will outlive the warranty for many years.

- Steel Frame: Harmonia Living extends a 2-year residential / 6 month commercial warranty against defects in workmanship and materials that cause structural failure

#### Care and Maintenance

Frame: Simply hose off or wipe down your frame to clean it! Avoid using harsh cleaners, brushes, or power washers, which could damage the finish. Take extra care when placing your furniture in humid or coastal settings; accumulation of salts and other debris can cause damage to your frame.

Covers & Storage: When not in use, we recommend using a protective cover with your furniture. During harsh weather and extreme temperatures, we recommend storing the cushions in a shed or garage and covering the frames with protective covers. If you store the frames indoors during the winter, avoid storing them upside down, which can trap moisture.

#### About the Manufacturer

Harmonia Living - an integration of beauty, function and durability. For over 15 years, Harmonia Living has strived to represent versatility and unparalleled value in every collection it designs and manufactures. Originally conceived from a vision to integrate elegant, high-end styles with approachable prices, Harmonia Living has grown from a small company based in San Diego, California to one that services the contiguous United States. Harmonia Living is committed to delivering outstanding service and exceptional indoor and outdoor furnishings to bring people together.

## Additional Information

SKU	HL-ACA-BC
Brand	Harmonia Living
Ships Out Estimate	3 - 5 Business Days
Residential Warranty	Frame: 2 Years

## Acapulco Bar Chair HL-ACA-BC by Harmonia Living

was  
**\$265.00** Special  
Price  
**\$189.00**

