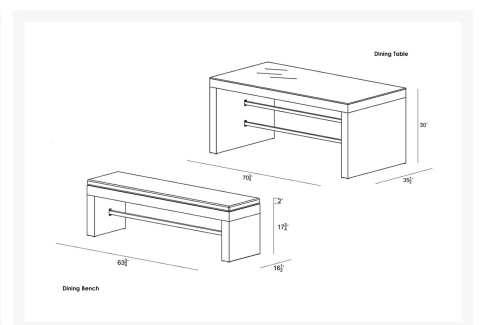


Product Images



Short Description

Skyline 3 Pc. Dining Set - Textured Slate HL-SKY-TS-3DS-ST

Description

The Skyline 3 Pc. Dining Set - Textured Slate HL-SKY-TS-3DS-ST by Harmonia Living. The 3 Piece Skyline Dining Set by Harmonia Living. will turn any patio space into a swanky outdoor dining area with its minimalist design and comfortable seating. The set includes two benches with cushions and dining table with a tempered glass top. The benches and table are covered with a rich, flat-weave Textured Slate wicker that compliments almost any patio decor. The wicker is made from High-Density Polyethylene, which is infused with UV-inhibitors and color, preventing it from cracking, peeling or fading from sun exposure. Underneath the wicker, the set is supported by thick-gauged aluminum frames that are sturdy, durable and corrosion resistant. The cushions are covered with an outdoor grade polyester fabric that compliments the warm tones of the wicker and suits any patio color scheme with ease. With its modern elegance and quality construction, the Skyline Dining Set stands tall above the rest.

Includes

- Two (2) Dining Benches
- Two (2) Bench Cushions
- One (1) Dining Table
- One (1) Glass Top

Dimensions

- Bench: 63.75"W x 16.35"D x 17.75"H
- Cushion Thickness: 2"
- Table: 70.75"W x 35.5"D x 30"H

Features

- High Density Polyethylene (HDPE) Recyclable All Weather Wicker
- UV inhibitors prevent fading and cracking
- Each strand is lightly textured and features a subtle mix of color to create a natural look you and your guests will love.
- Thick gauge aluminum frames with powder coating.
- Cushion fabric is easily spot cleaned, the covers also have a zipper for easy removal.
- Padding is made from quick dry polyurethane foam, wrapped in Dacron that wicks away moisture to eliminate mildew.
- Cushions have zippered covers so that they can easily be removed for cleaning.
- Thick gauge aluminum frames with powder coated paint finish.
- Triple reinforced seat frame for lasting durability.
- Cushion ties that keep cushions in place.
- Some assembly required

About the Manufacturer

Harmonia Living is a brand of outdoor wicker furniture and teak furniture from San Diego, California, where patio living is in vogue all year round!

An owner-operated furniture manufacturer, Harmonia Living was born out of a desire to provide a middle-of-the-road solution to consumers looking for high quality teak and wicker lounge furniture, without having to pay the sky-high prices associated with most other luxury brands.

Most manufacturers sell patio sets that are either cheaply made, or outright expensive; why would you pay as much for your outdoor sofa as you would for a mortgage payment? And on the other hand, why would you pay even a bottom-dollar price on a cheap patio set that is doomed to fall apart on you in very little time?

Harmonia Living set out to be the patio furniture company for everyone, marrying great quality outdoor sets with reasonable pricing.

Harmonia Living began developing new materials and manufacturing methods in 2007 that incorporated powder-coated, industrial-strength aluminum frames and high-density polyethylene resin wicker in all their designs – the resin is less costly than organic wicker, but is also much stronger and is totally weather proof.

Then, Harmonia Living pairs their sturdy and affordable furniture with real Sunbrella-brand premium fabrics that are at the apex of the industry in terms of performance, comfort, and durability.

The company further innovated the manufacturing process by developing a system to produce fewer but longer wicker strands that are intricately woven together in unique and efficient patterns; the weave also negates the need to 'staple' the wicker to the frame, as is often the case with most major brands - leaving behind ugly metal protrusions in otherwise elegant wicker furniture.

If you're looking for a cutting-edge patio set that's stylish and easily affordable, then Harmonia Living is the company for you!

Additional Information

SKU	HL-SKY-TS-3DS-ST
Brand	Harmonia Living
Ships Out Estimate	Quick Ship 2-3 Weeks Custom 4-6 Weeks
Residential Warranty	Frame: 3 Years Wicker: 2 Years

DISCONTINUED Skyline 3 Pc. Dining Set - Textured Slate HL-SKY-TS-3DS-ST by Harmonia Living

was
\$1,705.00 Special
Price
\$999.00

