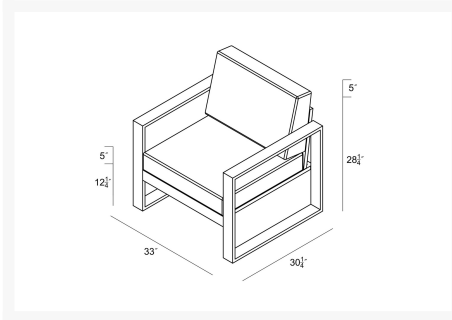

Product Images





Short Description

Portal Club Chair - Textured Slate Wicker with Slate Frame HL-PORT-TS-CC

Description

Enjoy low-maintenance comfort and style with the Portal Club Chair - Textured Slate Frame (HL-PORT-TS-CC) by Harmonia Living. This piece's modern, open frame design, sleek silhouette and beautiful wicker give it a unique visual appeal, while sturdy, all-weather construction ensures lasting performance across the seasons. The wicker is made with durable High-Density Polyethylene (HDPE) and finished in a beautifully textured Textured Slate color, which gives it a natural feel. Its durable aluminum frame, all-weather cushions and fade-resistant fabric are made to endure in any outdoor setting, rain or shine. Quick Ship cushion options are pre-made, without a welt, and are the fastest shipping choice. Stocked Custom Fabric cushions are made-to-order and a matching self welt can be added to any of those fabric options. All cushions are made in the USA from Sunbrella, Outdura, and Revolution performance fabrics which carry a 5 year fade warranty.

Includes

- One (1) Portal Club Chair with Cushions - Textured Slate Frame HL-PORT-TS-CC

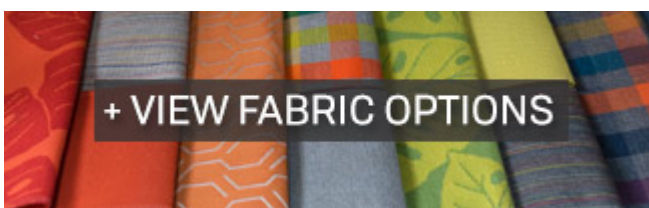
Dimensions

- 33"W x 30.25"D x 35"H (34 lbs.)
- Seat Height (No Cushion): 12.5
- Seat Height: (With Cushion): 18.25
- Back Height: 16.75

- Arm Height: 24.75

Features

- Durable, rust proof frames made from thick gauge aluminum with a high-quality powder coated finish that is appropriate for residential and commercial settings.
- High-Density Polyethylene (HDPE) is a synthetic all-weather wicker made with virgin materials that provides resistance to fading and cracking. Wicker color is infused into the HDPE wicker for lasting durability.
- Wicker is hand-woven onto a thick gauge, powder coated aluminum frame that is lightweight, durable and corrosion resistant.
- Cushions are made in America using American materials including Sunbrella, Outdura and Revolution performance fabrics which are easy to clean, are fade, stain, mildew resistant and carry a 5 year warranty.
- Machine washable cushion covers feature durable and frustration free YKK brand zippers for easy removal. Top and bottoms of our seat cushions are identical so they can be flipped if a stain gets on the cushion between machine washes.
- All cushions are sewn with PremoBond brand marine-grade UV treated thread made from high-quality mold, mildew, and rot resistant bonded polyester to ensure your cushions won't fall apart at the seams.
- Each seam is finished with overlock stitching for additional durability, reinforcement, weather proofing and to prevent the fraying of internal fabric edges during machine washing.
- American made CertiPUR-US® certified foam cushion inserts which are produced without harmful chemicals such as formaldehyde, ozone depleters, PBDEs, TDCPP or TCEP flame retardants and are free of mercury, lead, and other heavy metals to protect the planet as well as the health of you and your loved ones.
- Thick 4.5" foam seat cushion inserts plus additional layers of 1" of quick-drying Dacron on the top and bottom to help wick away moisture. This combination of layers creates the "Goldilocks" of cushions, firm enough to avoid bottoming out but soft enough for comfort.
- Back cushions are filled with 100% polyester fill fibers for a cloud-like back rest. The insert is sewn shut in a mesh incasing to keep the filling clean and easy to unstuff.
- Assembly required.



Special Order Custom Fabrics

Special Order Custom fabrics are also available and are priced the same as Quick Ship & Stocked Custom Fabrics, plus the cost of the custom order fabric. Give our sales team a call for more details (888) 947-4449.

Warranty

The Harmonia Living warranty covers manufacturing defects, normal wear and tear is not included. With a little bit of care, your furniture will outlive the warranty by many years.

- Aluminum Frame: Harmonia Living extends a 3 year limited residential/1 year limited commercial warranty against defects in workmanship and materials that cause structural failure.
- Finish: Finishes carry a 1 year residential & commercial warranty against defects such as peeling, cracking, or extreme discoloration.
- HDPE Wicker: Harmonia Living extends a 2 year limited residential/1 year limited commercial structural

and finish warranty against structural failure, finish fading, or cracking.

- Cushions: Sunbrella®, Revolution and Outdura each carry a 5 year fade warranty from the manufacturer. Harmonia Living offers a 2 Year warranty against defects in workmanship and other materials used in cushion production. Back cushion liners are not covered under warranty.

Care and Maintenance

Frame: HDPE wicker is easy to care for! Simply hose off, or use a solution of mild dish soap (just a drop or two) and water with a soft cloth. Do not use harsh chemicals to clean HDPE wicker.

Cushions & Outdoor Fabric: Cleaning your cushions on a regular basis will help prevent build-up of dirt, which can generate mildew. Dirt and dust can be brushed off, and stains can be spot cleaned with mild soap and water, rinse, and allow the fabric to air dry. Cushion covers zip off and can be machine washed and air dried, do not put in the dryer. For tougher stains, visit the fabric manufacturers website for additional recommendations. Tip: If your cushions are left out during a rainstorm, unzip and place the cushion on its side, zipper side down. This will allow the water to drain out quicker.

Covers & Storage: When not in use, we recommend using a protective cover with your furniture. During harsh weather and extreme temperatures, we recommend storing the cushions in a shed or garage, and covering the frames with protective covers. If you store the frames indoors during the winter, avoid storing upside down, which can trap moisture. Damage caused by the elements, normal wear and tear or improper care is not covered by Harmonia Living's warranty.

About the Manufacturer

Harmonia Living is an owner-operated furniture manufacturer from San Diego, California, where patio living is in vogue all year round! The brand was born out of a desire to provide a middle-of-the-road solution for consumers looking to purchase high quality outdoor furniture without having to pay the sky-high prices associated with most other luxury brands.

The team at Harmonia Living began developing new materials and manufacturing methods in 2007. Their advanced, innovative blend of materials allows the company to create furniture that's truly built for everyday use, both indoors and out. Harmonia Living prides itself on being the patio furniture company for everyone, marrying great quality outdoor sets with reasonable pricing.

Additional Information

SKU	HL-PORT-TS-CC
Brand	Harmonia Living
Ships Out Estimate	Quick Ship: 3 - 5 Business Days Stocked Cushion Fabric: 2 - 3 Weeks
Residential Warranty	2 Years Frame & Wicker 1 Year Finish 5 Years Fabric 2 Years Cushion Workmanship
Fabric	Performance Fabric Choices

DISCONTINUED Portal Club Chair - Textured Slate Wicker with Slate Frame HL-PORT-TS-CC by Harmonia Living

was
\$755.00 Special
Price
\$529.00

