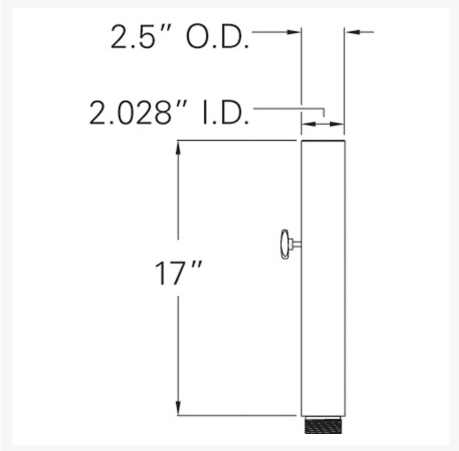
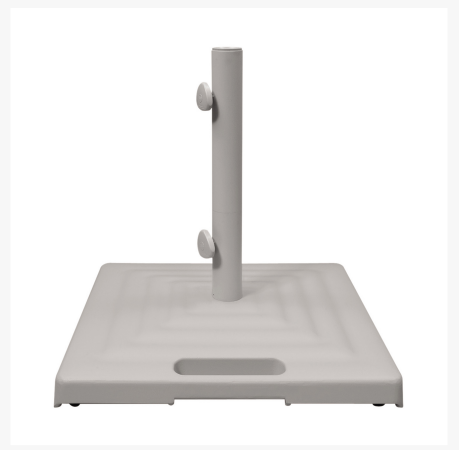
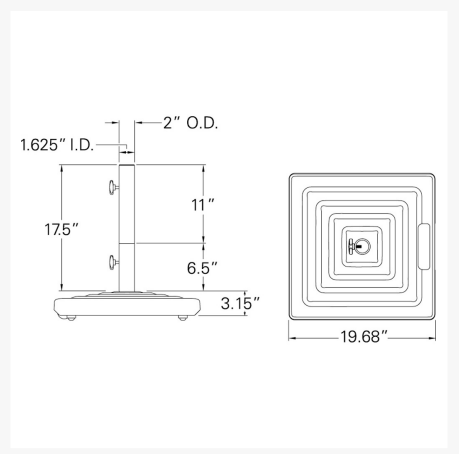

Product Images





Short Description

100 lb. Square Monaco Market Umbrella Base with Wheels by Treasure Garden

Description

The 100 lb. Square Monaco Market Umbrella Base w/ Wheels (BKMSQ100) by Treasure Garden is the one of the best market bases for strength, style and mobility. Made for both commercial and residential use, this base is built with a cast aluminum shell and a cast iron center to ensure long lasting durability and corrosion resistance. Its dual purpose stem allows you to enjoy your umbrella with a patio table or freestanding. It is available in 4 sleek, rust-proof finishes and will fit any umbrella pole up to 1.5" in diameter. However, if your umbrella pole is larger, you can purchase a 2" aluminum stem to go with this base.

Includes

- One (1) Treasure Garden 100 lb. Square Monaco Market Umbrella Base w/ Wheels
- One (1) Dual Purpose Stem
- Two (2) Wheels
- Add-on weight and stem for 2" pole sold separately

Recommended Umbrella Sizes

- Supports umbrellas up to 12' when used with an outdoor dining table
- Supports free standing umbrellas up to 9'

Dimension

- Diameter: 19.68"
- Weight: 100 lbs.
- Base Height (not including stem): 3.15"
- Full Stem Height: 17.5"
- Reduced Stem Height: 6.5"

Features

- Cast aluminum shell and iron core built to last and match your umbrella frame
- Easily move your shade with this base's built-in wheels and handle
- Use the reduced stem for under the table applications
- Designed for commercial or residential use
- Compatible with Shademaker Libra styles
- Optional stem available for 2" poles
- Add-on weight also available with this model

Warranty

- Base has a 1 year warranty against manufacturing defects

Care and Maintenance

Like your umbrella, your base will last longer when cared for properly. Simply hose off to clean and make sure all fittings are secure before opening your canopy. If you experience storms or high winds often, we recommend storing your base away from the elements to prevent damages to the finish. If you plan on using your umbrella near salt water or an indoor pool, wipe the frame and base down regularly to prevent paint

blistering. When adjusting your umbrella, keep others at a distance to prevent accidental injuries or material damage.

About the Manufacturer

Treasure Garden has built a reputation of leadership by producing top quality, custom-made, handcrafted umbrellas, rugs, and furniture covers. Our designers combine advanced technology with the latest color and fabric trends to enhance our products and their performance every year. Thanks to the 6,000 employees who share in the same vision and their attention to detail, Treasure Garden continues to be "The World's Favorite Shade."

Additional Information

SKU	BKMSQ100
Brand	Treasure Garden
Ships Out Estimate	3 - 5 Business Days
Residential Warranty	One Year Warranty

100 lb. Square Monaco Market Umbrella Base with Wheels by Treasure Garden

was
\$600.00 Special
Price
\$399.00

