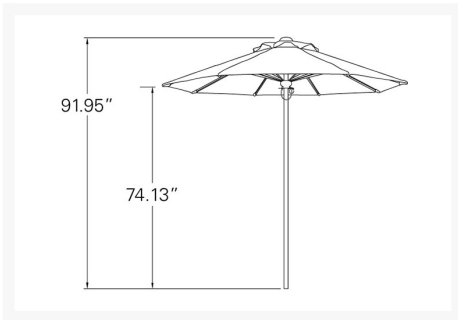
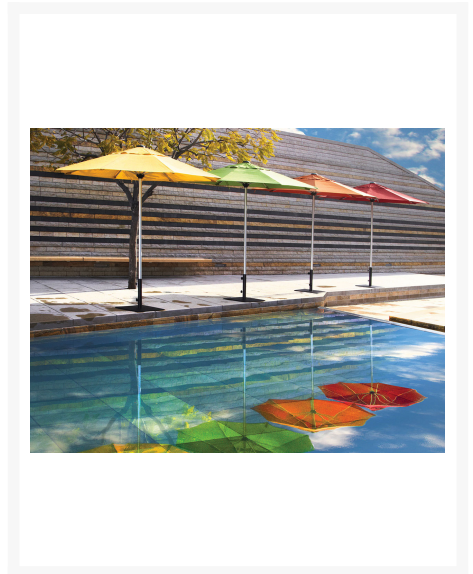


---

## Product Images

---





## Short Description

---

The 7.5' Octagon Commercial Umbrella UC407 by Treasure Garden is specifically designed to be extra durable and hardy for places that see a lot of traffic.

## Description

---

The 7.5' Octagon Commercial Umbrella UC407 by Treasure Garden is specifically designed to be extra durable and hardy for places that see a lot of traffic. This umbrella features a wide selection of fabrics to choose from, as well as options that allow you to completely tailor it to the needs of your commercial space. The frame is available in either a Black, Bronze, or Silver Shadow anodized finish and is made from aluminum, giving it a sturdy foundation. Choose from single or double vent styles, which not only add style, but additional protection from high winds. Valence is also available to give your umbrella a skirt around the edges.

### Includes

- 7.5' Octagon Commercial Umbrella

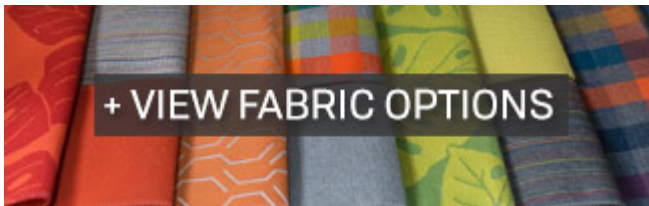
### Dimensions

- Height: 91.95"
- Coverage: 44 sq. ft.
- Pole: 1.53"

- Weight: 17 lbs.
- Number of Ribs: 8

## Features

- 7.5' Octagon Umbrella
- Push Up/SS Pin lift system
- Choose from Black, Bronze, or Silver Shadow (Anodized) frame
- Single Wind Vent
- Optional valence available
- Recommended minimum of 70 lb. base



About The Fabrics Of the two fabric major brands we offer, this custom patio umbrella in, Sunbrella® is considered the best, and O'Bravia™ ranks a close second. These brands use the same legendary solution-dyed acrylic process. Our patio furniture experts consider these brands to be of equal quality and value so for convenience and pricing purposes we have combined them into the Sunbrella image viewer and price tier.

## Quick Ship Options

Want your custom umbrella quick? This umbrella can be shipped in 7-10 business days or less if you choose any of the quick ship fabrics. These fabrics are designated with a "QS" and can be seen in the fabric viewer.

**The platinum frame is not available for Quick Ship options!!**

## 100% Solution-Dyed Acrylic Fabrics - 5 Years Warranty (Grade A, A+, SOA, and SOA+)

Acrylic fabric has become the standard for outdoor use, and we are proud to offer 100% Solution-Dyed Acrylic fabric choices from top mills like Sunbrella, Outdura, Sunbury, Docril, and Bella-Dura. Acrylic is a durable and colorfast fabric, and is the #1 choice of fabrics for outdoor umbrellas. All of these fine fabrics carry a 5 Year Warranty against fading.

**Fabrics indicated with a grade of SOA or SOA+ are special order fabrics that may take between 5-7 weeks to be made.**

## 100% Solution-Dyed Polyester Fabrics - 4 Year Warranty (Grade C Fabrics)

100% Solution-Dyed Polyester- O'Bravia™ is a proprietary line of environmentally friendly outdoor fabrics. It combines many of the same advantages as more expensive acrylic options, and is backed by a 4 year warranty covering loss of color or strength from normal exposure including sunlight, mildew and rot.

## About The Manufacturer

Treasure Garden has built a reputation of leadership by producing top quality, custom-made, handcrafted umbrellas. Combining advanced technology with the latest color and fabric trends, we continue to enhance our products and their performance every year. We are committed to providing the largest and most innovative selection of shade solutions to suit all your needs and include umbrella lighting and furniture cover protection.

## Additional Information

SKU	UCP407-X-SWV
Brand	Treasure Garden
Ships Out Estimate	Quick Ship: 1-2 Weeks Stocked Customs: 4-5 Weeks Special Order Customs: 5-7 Weeks
Residential Warranty	Frame: 3 Years Sunbrella/Bella-Dura: 5 Years O'Bravia: 4 Years
Fabric	<a href="#">View Fabric Options</a>

## 7.5' Octagon Commercial Umbrella UC407

was  
**\$365.00** Special  
Price  
**\$255.50**

