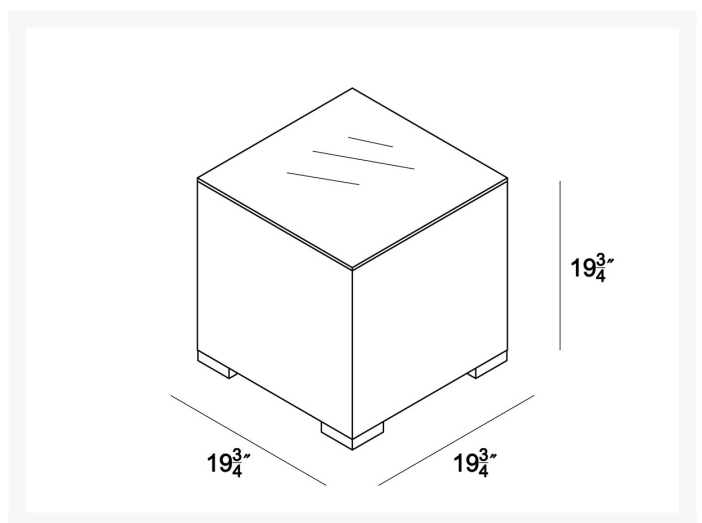


## Product Images



## Short Description

---

The Element Outdoor Sling End Table (HL-ELE-TP-ET) by Harmonia Living provides an incredibly chic setting for relaxing out on your deck or patio.

## Description

---

The Element Outdoor Sling End Table (HL-ELE-TP-ET) by Harmonia Living provides an incredibly chic setting for relaxing out on your deck or patio. This modern outdoor table's compact, minimalist design can accommodate your guests in small areas without compromising the contemporary look. The table is covered in a modern, quick-drying Textilene sling fabric, designed to last despite harsh outdoor elements. It is framed with powder-coated, thick-gauged aluminum for strength and excellent corrosion resistance. Conveniently, underneath this patio table are plastic guides to let you slide the seats or rearrange the set freely without worrying about damage to your patio or deck.

### Includes

- One (1) Element End Table
- One (1) Glass Top

### Dimensions

- End Table: 19.75"W x 19.75"D x 19.75"H

### Features

- Sleek Taupe finished sling fabric
- Textilene fabric sling designed to resist sun exposure
- UV inhibitors prevent fading and cracking
- Thick gauge aluminum frames with powder-coated finish
- Triple-reinforced seat frame for lasting durability
- Teak wood feet with plastic guides protect patio surface
- Can easily be cleaned by hosing off or wiped with soft cloth and water
- No assembly required
- 3 Years Limited Warranty on Frame
- 2 Years Limited Warranty on Sling

### Thick Gauge Aluminum Frames

Aluminum frames are not only lightweight for easy moving, but they are the most durable as well. Aluminum does not weaken or discolor when it oxidizes (rusts) like other metals do so your frames will not be affected by the weather no matter what conditions. Thick gauge frames are used to avoid bending or damage from use making this set truly worry free.

### About the Manufacturer

Harmonia Living is a brand of outdoor wicker furniture and teak furniture from San Diego, California, where patio living is in vogue all year round!

An owner-operated furniture manufacturer, Harmonia Living was born out of a desire to provide a middle-of-the-road solution to consumers looking for high quality teak and wicker lounge furniture, without having to pay the sky-high prices associated with most other luxury brands.

Most manufacturers sell patio sets that are either cheaply made, or outright expensive; why would you pay as much for your outdoor sofa as you would for a mortgage payment? And on the other hand, why would you pay even a bottom-dollar price on a cheap patio set that is doomed to fall apart on you in very little time? Harmonia Living set out to be the patio furniture company for everyone, marrying great quality outdoor sets with reasonable pricing.

Harmonia Living began developing new materials and manufacturing methods in 2007 that incorporated powder-coated, industrial-strength aluminum frames and high-density polyethylene resin wicker in all their designs – the resin is less costly than organic wicker, but is also much stronger and is totally weather proof.

Then, Harmonia Living pairs their sturdy and affordable furniture with real Sunbrella-brand premium fabrics that are at the apex of the industry in terms of performance, comfort, and durability.

The company further innovated the manufacturing process by developing a system to produce fewer but longer wicker strands that are intricately woven together in unique and efficient patterns; the weave also negates the need to 'staple' the wicker to the frame, as is often the case with most major brands - leaving behind ugly metal protrusions in otherwise elegant wicker furniture.

If you're looking for a cutting-edge patio set that's stylish and easily affordable, then Harmonia Living is the company for you!

## Additional Information

SKU	HL-ELE-TP-ET
Brand	Harmonia Living
Ships Out Estimate	Quick Ship 2-3 Weeks Custom 4-6 Weeks
Residential Warranty	Frame: 3 Years Sling: 2 Years

## DISC Element Sling End Table HL-ELE-TP-ET

was  
**\$325.00** Special  
Price  
**\$199.00**

