



**PATIO**  
PRODUCTIONS

Patio Productions San Diego

2161 Hancock St

San Diego, CA 92110

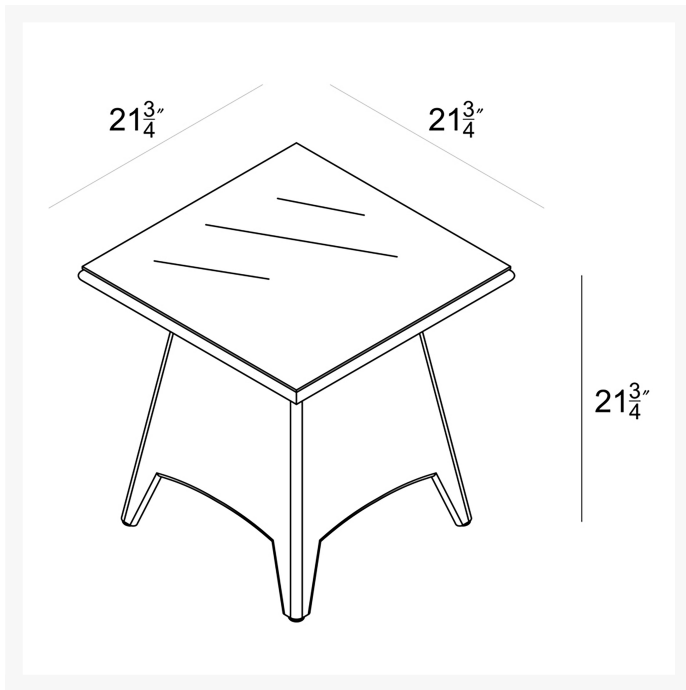
Phone: 1-888-947-4449

---

## Product Images

---





## Short Description

---

Arbor Square End Table HL-AR-CB-ET by Harmonia Living

## Description

---

The Arbor Square End Table (HL-AR-CB-ET) by Harmonia Living brings stylish comfort and relaxation to your favorite outdoor setting. This piece's gently flared edges and dark wicker finish give it a unique visual appeal, while sturdy, all-weather construction ensures lasting performance across the seasons. The wicker is made with durable High-Density Polyethylene (HDPE) and finished in a beautifully textured Coffee Bean color. Its sturdy aluminum frame, double reinforced seat and fade resistant cushion are made to endure in any outdoor setting, rain or shine. Harmonia Living can be tailored to both Residential and Commercial settings and is committed to delivering exceptional furnishings to your outdoor space.

### Includes

- One (1) Arbor Square End Table HL-AR-CB-ET
- One (1) Glass Top

### Dimensions

- 21.75"W x 21.75"D x 21.75"H (22 lbs.)
- Frame Height: 21.75"

### Features

- High-Density Polyethylene (HDPE) is a synthetic all-weather wicker made with virgin materials that provides resistance to fading and cracking. Wicker color is infused into the HDPE wicker for lasting durability.
- Wicker is hand-woven onto a thick gauge, powder coated aluminum frame that is lightweight, durable

and corrosion resistant.

- Plastic foot glides help to protect your patio from scratching and also to help keep the furniture protected from dirt or water that can accumulate on the patio.
- No assembly required.

### Warranty

Harmonia Living's warranty covers manufacturing defects; normal wear and tear is not included. With a little bit of care, your furniture will outlive the warranty for many years.

- HDPE Wicker: Harmonia Living extends a 2-year residential / 1-year commercial warranty against structural failure, finish fading, or cracking.

### Care and Maintenance

HDPE Wicker: To clean HDPE wicker, rinse with cool water, and use a cloth with mild dish soap to wipe down and remove dust and residue. Use cool water to wipe away any soapy residue. Dry with a soft cloth.

Teak: Long-term, teak furniture develops a pleasing silvery gray patina, which is cosmetic and not an indication of dryness. Its natural oils help keep this hardwood strong and durable in a variety of environments, so there's very little maintenance. Because teak is very weather-resistant, it doesn't need to be stored during the winter or covered with protective tarps. However, covering teak furniture will protect the surface from elements such as hail, wind, and snow, which can cause cosmetic damage. To keep the original golden honey finish, apply a very thin layer of Linseed or Teak oil to your furniture 1-2 times a year, depending on exposure. Cleaning with teak cleaner is recommended every 2-3 years, along with the oil application.

### About the Manufacturer

Harmonia Living - an integration of beauty, function and durability. For over 15 years, Harmonia Living has strived to represent versatility and unparalleled value in every collection it designs and manufactures. Originally conceived from a vision to integrate elegant, high-end styles with approachable prices, Harmonia Living has grown from a small company based in San Diego, California to one that services the contiguous United States. Harmonia Living is committed to delivering outstanding service and exceptional indoor and outdoor furnishings to bring people together.

## Additional Information

SKU	HL-AR-CB-ET
Brand	Harmonia Living
Ships Out Estimate	3 - 5 Business Days
Residential Warranty	HDPE Wicker: 2 Years

was

**\$385.00** Special

# Arbor Square End Table HL-AR-CB-ET by Harmonia Living

Price  
**\$269.00**

