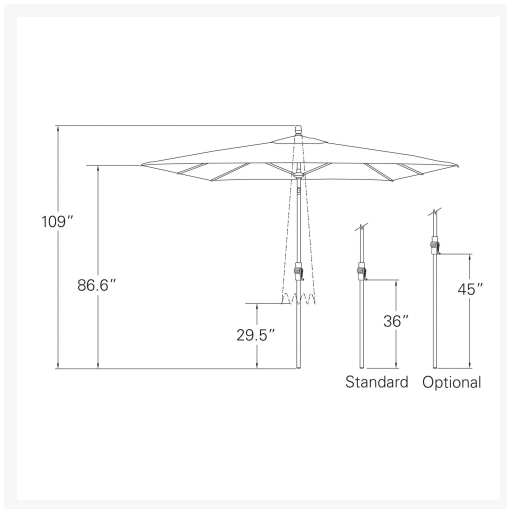
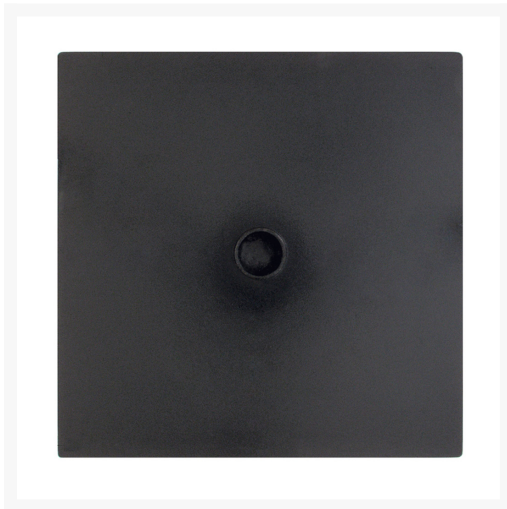

Product Images





Short Description

Treasure Garden 35 lb. Steel Market Umbrella Base BS359 by Treasure Garden

Description

The 35 lb. Steel Market Umbrella Base (BS359) by Treasure Garden is a clean-cut, low profile base option for your new sunshade. Made for residential use, this base is ideal for lightweight market umbrellas and smaller patios. Its dual purpose stem makes it easy to adjust your umbrella to fit different patio table heights. It is available in a black, rust-proof finish and will fit any umbrella pole up to 1.5" in diameter.

Includes

- One (1) Treasure Garden 35 lb. Steel Market Umbrella Base BS359
- One (1) Dual Purpose Stem

Recommended Umbrella Sizes

- Supports umbrellas up to 7.5' when used with an outdoor dining table
- Not recommended for free standing umbrella use

Dimension

- Diameter: 18"
- Weight: 35 lbs.
- Base Height (not including stem): .312"
- Full Stem Height: 17.5"
- Reduced Stem Height: 6.5"

Features

- Steel base built to last
- Dual stem is used to give your umbrella additional weight and support
- Not recommended for freestanding umbrellas
- Designed for residential use
- Small stature and clean edges create low profile, professional look

Warranty

- Base has a 1 year warranty against manufacturing defects

Care and Maintenance

Like your umbrella, your base will last longer when cared for properly. Simply hose off to clean and keep dry as often as possible to prevent rust. Make sure all fittings are secure before opening your canopy. If you experience storms or high winds often, we recommend storing your base away from the elements to prevent damages to the finish. If you plan on using your umbrella near salt water or an indoor pool, wipe the frame and base down regularly to prevent paint blistering. When adjusting your umbrella, keep others at a distance to prevent accidental injuries or material damage.

About the Manufacturer

Treasure Garden has built a reputation of leadership by producing top quality, custom-made, handcrafted umbrellas, rugs, and furniture covers. Our designers combine advanced technology with the latest color and fabric trends to enhance our products and their performance every year. Thanks to the 6,000 employees who share in the same vision and their attention to detail, Treasure Garden continues to be "The World's Favorite Shade."

Additional Information

SKU	BS359
Brand	Treasure Garden
Ships Out Estimate	3 - 5 Business Days
Residential Warranty	1 Year

was

\$150.00 Special

Treasure Garden 35 lb. Steel Market Umbrella Base BS359 by Treasure Garden

Price
\$99.00

