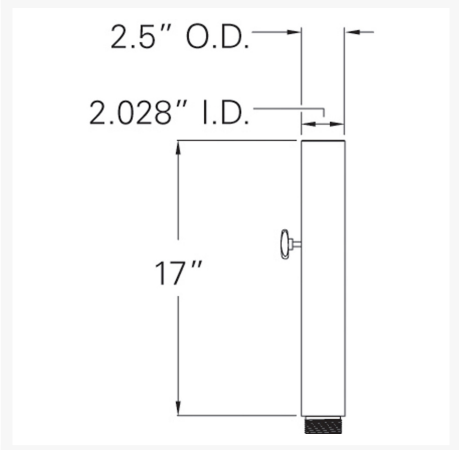
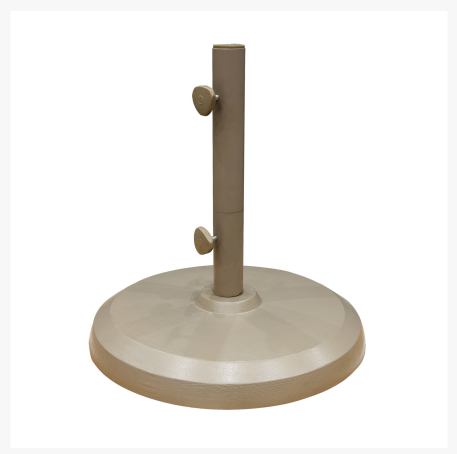
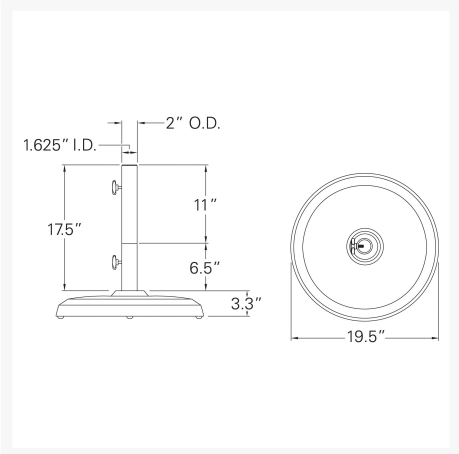


---

## Product Images

---





## Short Description

---

50 lb. Garden Market Umbrella Base BG50 by Treasure Garden

## Description

---

The 50 lb. Garden Market Umbrella Base (BG50) by Treasure Garden has a consistent, clean style that will blend well with your umbrella frame finish and the rest of your patio collection. Designed for residential use, this base is built with a cast aluminum shell and a cast iron center to ensure long lasting durability and corrosion resistance. Its dual purpose stem allows you to enjoy your umbrella with a patio table or freestanding. It is available in 5 sleek, rust-proof finishes and will fit any umbrella pole up to 1.5" in diameter. However, if your umbrella pole is larger, you can purchase a 2" aluminum stem to go with this base.

### Includes

- One (1) Treasure Garden 50 lb. Garden Market Umbrella Base BG50
- One (1) Dual Purpose Stem
- Add on weight and stem for 2" pole sold separately

### Recommended Umbrella Sizes

- Supports umbrellas up to 9' when used with an outdoor dining table
- Not recommended for free standing umbrella use

### Dimension

- Diameter: 19.5"
- Weight: 50 lbs.
- Base Height (not including stem): 3.3"
- Full Stem Height: 17.5"
- Reduced Stem Height: 6.5"

### Features

- Cast aluminum shell and iron core built to last and match your umbrella frame
- Full stem is used for free-standing applications to give your umbrella additional weight and support
- Ideal fit for lightweight umbrellas and smaller patios
- Optional stem available for 2" poles
- Add-on weight also available with this model
- Designed for residential use

### Warranty

- Base has a 1 year warranty against manufacturing defects

### Care and Maintenance

Like your umbrella, your base will last longer when cared for properly. Simply hose off to clean and make sure all fittings are secure before opening your canopy. If you experience storms or high winds often, we recommend storing your base away from the elements to prevent damages to the finish. If you plan on using your umbrella near salt water or an indoor pool, wipe the frame and base down regularly to prevent paint blistering. When adjusting your umbrella, keep others at a distance to prevent accidental injuries or material damage.

## About the Manufacturer

Treasure Garden has built a reputation of leadership by producing top quality, custom-made, handcrafted umbrellas, rugs, and furniture covers. Our designers combine advanced technology with the latest color and fabric trends to enhance our products and their performance every year. Thanks to the 6,000 employees who share in the same vision and their attention to detail, Treasure Garden continues to be "The World's Favorite Shade."

## Additional Information

SKU	BG50
Brand	Treasure Garden
Ships Out Estimate	3 - 5 Business Days
Residential Warranty	One Year Warranty

## 50 lb. Garden Market Umbrella Base BG50 by Treasure Garden

was  
**\$285.00** Special  
Price  
**\$189.00**

