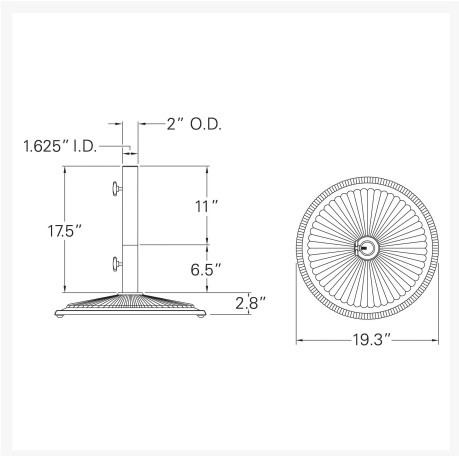
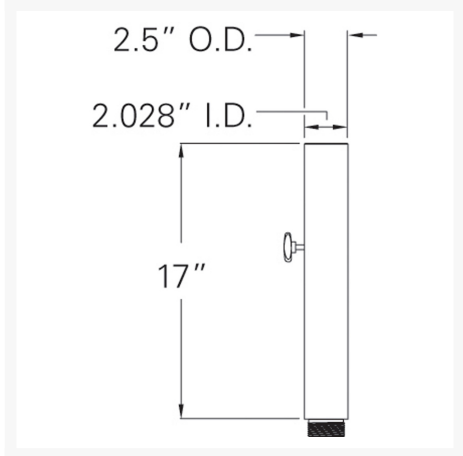

Product Images





Short Description

50 lb. Classic Market Umbrella Base BW50 by Treasure Garden

Description

The 50 lb. Classic Market Umbrella Base (BW50) by Treasure Garden has a classic, clean style that will blend well with your umbrella frame finish and the rest of your patio collection. Designed for residential use, this cast iron base is sealed with a powder coated finish for added durability and corrosion resistance. Its dual purpose stem allows you to enjoy your umbrella with a patio table or freestanding. It is available in 5 sleek, rust-proof finishes and will fit any umbrella pole up to 1.5" in diameter. However, if your umbrella pole is larger, you can purchase a 2" aluminum stem to go with this base.

Includes

- One (1) Treasure Garden 50 lb. Classic Market Umbrella Base BW50
- One (1) Dual Purpose Stem
- Add-on weight and stem for 2" pole sold separately

Recommended Umbrella Sizes

- Supports umbrellas up to 9' when used with an outdoor dining table
- Not recommended for free standing umbrella use

Dimension

- Diameter: 19.3"
- Weight: 50 lbs.
- Base Height (not including stem): 2.8"
- Full Stem Height: 17.5"
- Reduced Stem Height: 6.5"

Features

- Cast iron built to last and match your umbrella frame
- Full stem is used for free-standing applications to give your umbrella additional weight and support
- Ideal fit for lightweight umbrellas and smaller patios
- Optional stem available for 2" poles
- Add-on weight also available with this model
- Designed for residential use

Warranty

- Base has a 1 year warranty against manufacturing defects

Care and Maintenance

Like your umbrella, your base will last longer when cared for properly. Simply hose off to clean and keep dry as often as possible to prevent rust. Make sure all fittings are secure before opening your canopy. If you experience storms or high winds often, we recommend storing your base away from the elements to prevent damages to the finish. If you plan on using your umbrella near salt water or an indoor pool, wipe the frame and base down regularly to prevent paint blistering. When adjusting your umbrella, keep others at a distance to prevent accidental injuries or material damage.

About the Manufacturer

Treasure Garden has built a reputation of leadership by producing top quality, custom-made, handcrafted umbrellas, rugs, and furniture covers. Our designers combine advanced technology with the latest color and fabric trends to enhance our products and their performance every year. Thanks to the 6,000 employees who share in the same vision and their attention to detail, Treasure Garden continues to be "The World's Favorite Shade."

Additional Information

SKU	BW50
Brand	Treasure Garden
Ships Out Estimate	3 - 5 Business Days
Residential Warranty	One Year Warranty

50 lb. Classic Market Umbrella Base BW50 by Treasure Garden

was
\$175.00 Special
Price
\$119.00

