



PATIO
PRODUCTIONS

Patio Productions San Diego

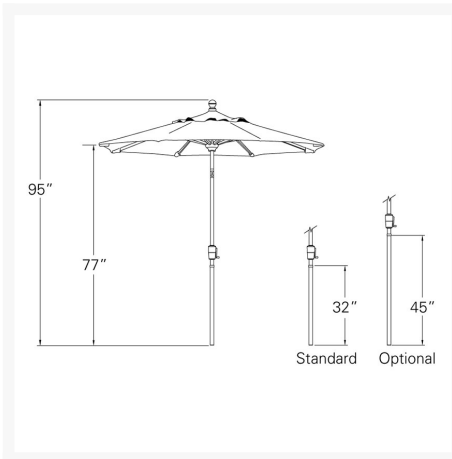
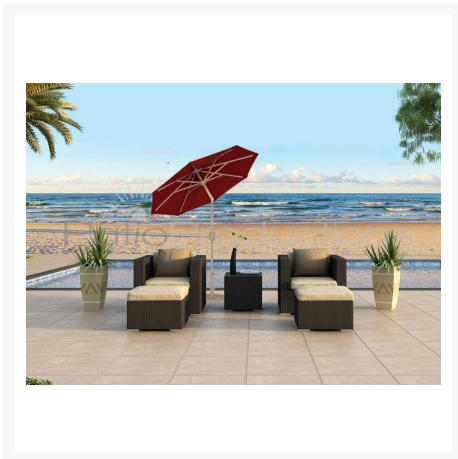
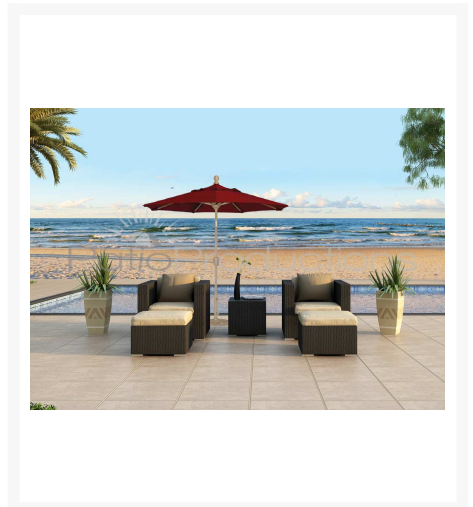
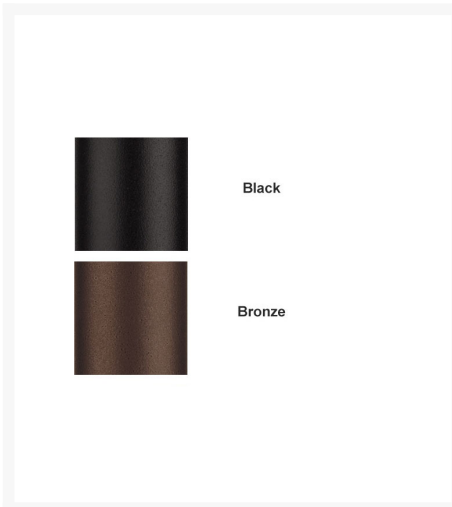
2161 Hancock St

San Diego, CA 92110

Phone: 1-888-947-4449

Product Images





Short Description

Our 6' Octagon Push Button Tilt Umbrella UM906CK by Treasure Garden can be made in over 100 Sunbrella or O'Bravia brand fabrics for truly customized look.

Description

Our 6' Octagon Push Button Tilt Umbrella UM906CK by Treasure Garden can be made in over 100 Sunbrella or O'Bravia brand fabrics for truly customized look. Using two hands and a push of a button this umbrella can easily be tilted for protection against morning and evening sun. The umbrella can be raised or lowered with a traditional style crank. With 28 Sqft of shade coverage this is a great patio umbrella for balconies and small dining tables. Made with a sturdy, rust proof aluminum frame in Bronze or Black. This umbrella features a Single Wind Vent to allow wind to pass through the umbrella. For durability, easy use and maximum features this is an excellent patio Umbrella!

Includes

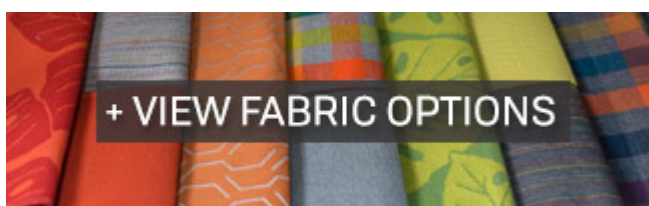
- 6' Octagon Push-Button Tilt Umbrella

Dimensions

- Height: 95"
- Coverage: 29 sq. ft.
- Top Pole: 1.38"
- Bottom Pole: 1.5"
- Weight: 15 lbs.
- Number of Ribs: 8

Features

- 6' Octagon Push-Tilt Umbrella
- Crank lift system
- Push Button tilt system
- Frame available in Black, Bronze, and Champagne
- Single Wind Vent
- Optional bottom pole extension
- Recommended minimum of 50 lb. base



About The Fabrics Of the two fabric major brands we offer, this custom patio umbrella in, Sunbrella® is considered the best, and O'Bravia™ ranks a close second. These brands use the same legendary solution-dyed acrylic process. Our patio furniture experts consider these brands to be of equal quality and value so for convenience and pricing purposes we have combined them into the Sunbrella image viewer and price tier.

Quick Ship Options

Want your custom umbrella quick? This umbrella can be shipped in 7-10 business days or less if you choose any of the quick ship fabrics. These fabrics are designated with a "QS" and can be seen in the fabric viewer.

The platinum frame is not available for Quick Ship options!!

100% Solution-Dyed Acrylic Fabrics - 5 Years Warranty (Grade A, A+, SOA, and SOA+)

Acrylic fabric has become the standard for outdoor use, and we are proud to offer 100% Solution-Dyed Acrylic fabric choices from top mills like Sunbrella, Outdura, Sunbury, Docril, and Bella-Dura. Acrylic is a durable and colorfast fabric, and is the #1 choice of fabrics for outdoor umbrellas. All of these fine fabrics

carry a 5 Year Warranty against fading.

Fabrics indicated with a grade of SOA or SOA+ are special order fabrics that may take between 5-7 weeks to be made.

100% Solution-Dyed Polyester Fabrics - 4 Year Warranty (Grade C Fabrics)

100% Solution-Dyed Polyester- O'Bravia™ is a proprietary line of environmentally friendly outdoor fabrics. It combines many of the same advantages as more expensive acrylic options, and is backed by a 4 year warranty covering loss of color or strength from normal exposure including sunlight, mildew and rot.

About The Manufacturer

Treasure Garden has built a reputation of leadership by producing top quality, custom-made, handcrafted umbrellas. Combining advanced technology with the latest color and fabric trends, we continue to enhance our products and their performance every year. We are committed to providing the largest and most innovative selection of shade solutions to suit all your needs and include umbrella lighting and furniture cover protection.

Additional Information

SKU	UM906CKX-SWV
Brand	Treasure Garden
Ships Out Estimate	Stocked Customs: 4-5 Weeks Special Order Customs: 5-7 Weeks
Residential Warranty	Frame: 2 Years Sunbrella/Bella-Dura: 5 Years O'Bravia: 4 Years Solefin: 2 Years
Fabric	View Fabric Options

DISC 6' Octagon Push Button Tilt Umbrella UM906CK

was
\$215.00 Special
Price
\$150.50

