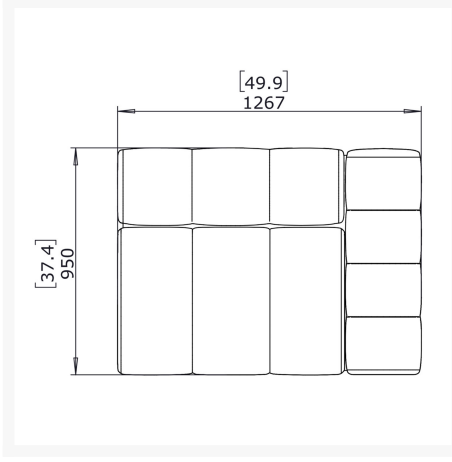
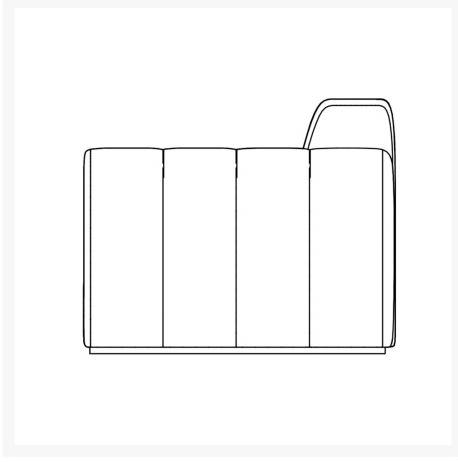
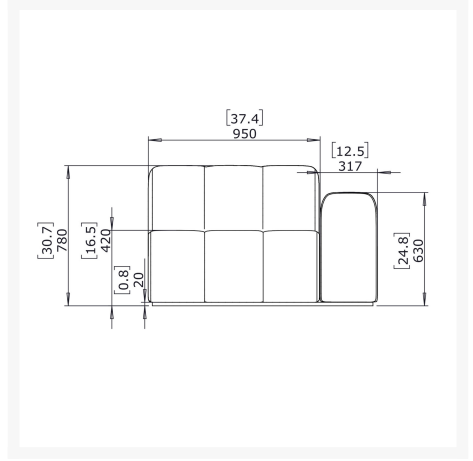


---

## Product Images

---





## Short Description

Blinde Design Connect R50 Right Arm Section BLD.1.MS.CON.R50 by Blinde Design

## Description

Discover the perfect blend of strength, comfort and timeless aesthetics with the Blinde Design Connect R50 Right Arm Section (BLD.1.MS.CON.R50) by Blinde Design. This exquisite piece features a robust coated aluminum frame and a luxuriously comfortable foam shell, ensuring both durability and indulgence.

Wrapped in soft yet weather-resistant Sunbrella fabric, the memory foam delivers a relaxing experience ideal for both alfresco and interior settings. With its timeless low-back design and gentle curves, the CONNECT modular sofa range exudes an everlasting charm, effortlessly complementing any decor. Embrace the essence of sophistication and relaxation with the Blinde Design Connect R50 Right Arm Section, where every detail is crafted to bring you unparalleled comfort and style.

#### Includes

- One (1) Blinde Design Connect R50 Right Arm Section BLD.1.MS.CON.R50 by Blinde Design

#### Dimensions

- 37.8in W x 49.9in D x 30.7in H (30.86 lb)
- Seat Height: 16.5"

#### Features

- Comfortable memory foam is covered in soft but durable, weather-resistant Sunbrella fabric - ideal for alfresco and interior spaces
- Upholstered in Sunbrella fabric, each module is designed to stand the test of time.
- Powder-coated aluminum frames are lightweight, durable and rust proof

#### Warranty

Blinde Design's warranty covers manufacturing defects; normal wear and tear is not included. With a little bit of care, your furniture will outlive the warranty for many years.

- Two year warranty from date of purchase on stainless steel parts, including raw, finished and powder coated.
- One year warranty from date of purchase on mild steel, including powder coated and chrome plated, cement, glass, leather, fabric, teak and MDF (painted or cemented rendered).

#### Care and Maintenance

Cushions & Outdoor Fabric: Regular cleaning with mild soap and water will help prevent the build-up of dirt, which can generate mildew. Simply spot-treat stains with mild soap and water, rinse and allow the fabric to air dry. Cushions will dry much faster when removed from the frames and placed on their sides or edges. For more information, please visit the fabric manufacturer's website.

#### About the Manufacturer

Founded in 2002, MAD Design Group is a dynamic and innovative company that has made a significant mark in the design industry. From inception to execution, they are involved in every aspect of their brands, showcasing a true passion for their products. With an unwavering commitment to excellence, MAD Design Group oversees product development, sourcing materials, manufacturing, packaging, logistics, sales and marketing. Their portfolio includes well-known brands like Ecosmart Fire, Blinde Design, E-NRG Bioethanol and Fluid Technology. Embodying a vision for sustainable and cutting-edge solutions, MAD Design Group continues to be a driving force in redefining the world of contemporary design and environmental responsibility.

## Additional Information

---

SKU	BLD.1.MS.CON.R50
Brand	Blinde Design
Ships Out Estimate	3 - 5 Days
Residential Warranty	Fabric: 1 Year Aluminum Frame: 1 Year

Blinde Design Connect R50 Right Arm Section BLD.1.MS.CON.R50 by Blinde Design

\$2,395.00

