



Patio Productions San Diego

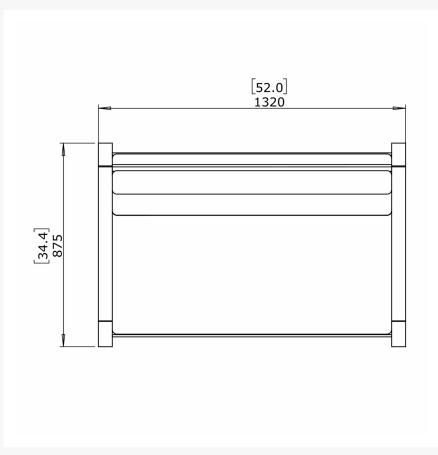
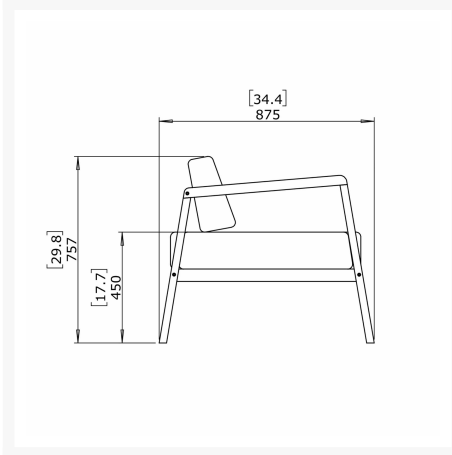
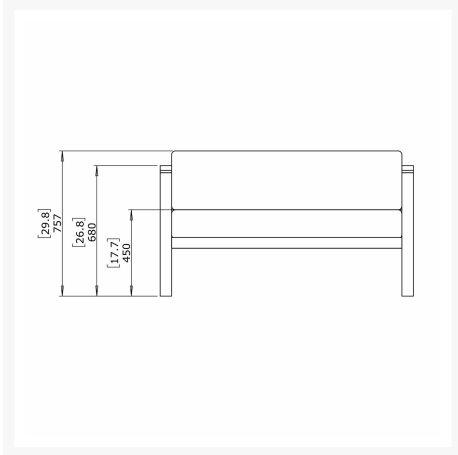
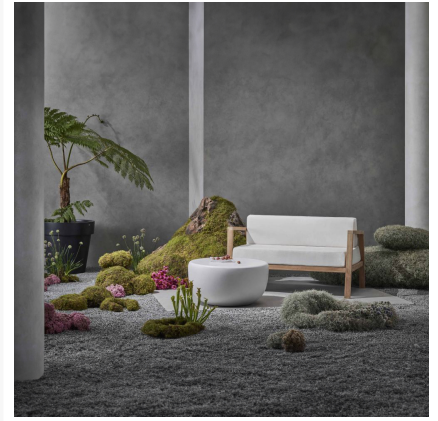
2161 Hancock St

San Diego, CA 92110

Phone: 1-888-947-4449

Product Images





Short Description

Blinde Design Sit L52 Loveseat BLD.1.C.SIT.L52 by Blinde Design

Description

Introducing the Blinde Design Sit L52 Loveseat (BLD.1.C.SIT.L52) by Blinde Design - a harmonious blend of beauty and functionality that will elevate any living space. Crafted from sturdy teak wood and adorned with Sunbrella fabric, this chair boasts a seamless fusion of durability and style, making it a perfect seating solution for both outdoor and indoor environments. With its classic design, elegant lines and a range of contemporary hues, the SIT L52 effortlessly complements various decor styles, seamlessly blending into both modern and traditional homes. Experience the epitome of comfort and sophistication with the Blinde Design Sit L52 Loveseat, where timeless charm meets contemporary sensibility.

Includes

- One (1) Blinde Design Sit L52 Loveseat BLD.1.C.SIT.L52 by Blinde Design

Dimensions

- 52in W x 34.4in D x 29.8in H (61.73 lb)
- Arm Height: 26.8"
- Seat Height: 17.7

Features

- Naturally strong and environment-resistant teak wood
- Available in Sunbrella fabric, which is distinctive, fade resistant and easy to clean
- Strong Teak wood and weather and stain-resistant Sunbrella Fabric make the dining chair a smart choice for outdoor - and indoor - settings.

Warranty

Blinde Design's warranty covers manufacturing defects; normal wear and tear is not included. With a little bit of care, your furniture will outlive the warranty for many years.

- Two year warranty from date of purchase on stainless steel parts, including raw, finished and powder coated.
- One year warranty from date of purchase on mild steel, including powder coated and chrome plated, cement, glass, leather, fabric, teak and MDF (painted or cemented rendered).

Care and Maintenance

Teak: Long-term, teak furniture develops a pleasing silvery gray patina, which is cosmetic and not an indication of dryness. Its natural oils help keep this hardwood strong and durable in a variety of environments, so there's very little maintenance. Because teak is very weather-resistant, it doesn't need to be stored during the winter or covered with protective tarps. However, covering teak furniture will protect the surface from elements such as hail, wind and snow, which can cause cosmetic damage. To keep the original golden honey finish, apply a very thin layer of Linseed or Teak oil to your furniture 1-2 times a year, depending on exposure. Cleaning with teak cleaner is recommended every 2-3 years, along with the oil application.

Cushions & Outdoor Fabric: Regular cleaning with mild soap and water will help prevent the build-up of dirt, which can generate mildew. Simply spot-treat stains with mild soap and water, rinse and allow the fabric to air dry. Cushions will dry much faster when removed from the frames and placed on their sides or edges. For more information, please visit the fabric manufacturer's website.

About the Manufacturer

Founded in 2002, MAD Design Group is a dynamic and innovative company that has made a significant mark in the design industry. From inception to execution, they are involved in every aspect of their brands, showcasing a true passion for their products. With an unwavering commitment to excellence, MAD Design Group oversees product development, sourcing materials, manufacturing, packaging, logistics, sales and marketing. Their portfolio includes well-known brands like Ecosmart Fire, Blinde Design, E-NRG Bioethanol and Fluid Technology. Embodying a vision for sustainable and cutting-edge solutions, MAD Design Group continues to be a driving force in redefining the world of contemporary design and environmental responsibility.

Additional Information

SKU	BLD.1.C.SIT.L52
Brand	Blinde Design
Ships Out Estimate	3 - 5 Days
Residential Warranty	Teak: 1 Year Fabric: 1 Year

Blinde Design Sit L52 Loveseat BLD.1.C.SIT.L52 by Blinde Design

\$1,895.00

