



**Patio Productions San Diego**

**2161 Hancock St**

**San Diego, CA 92110**

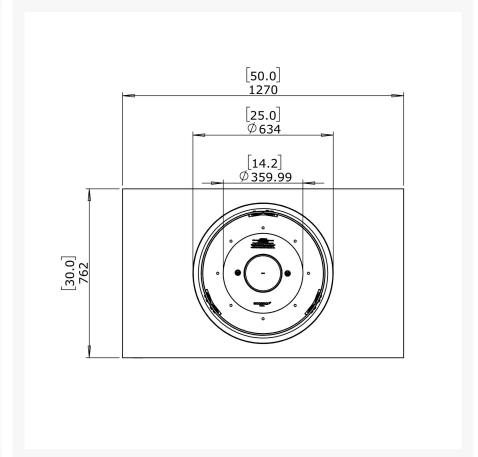
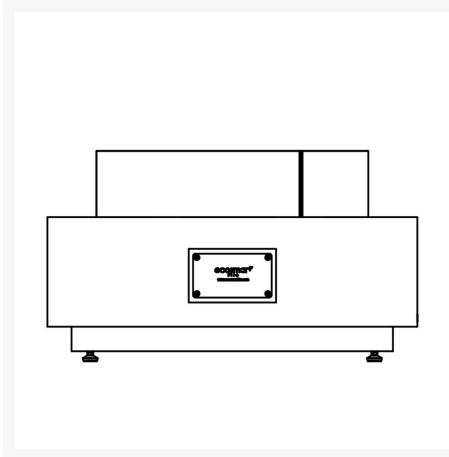
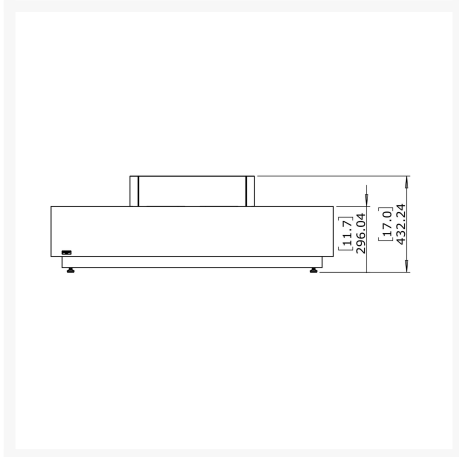
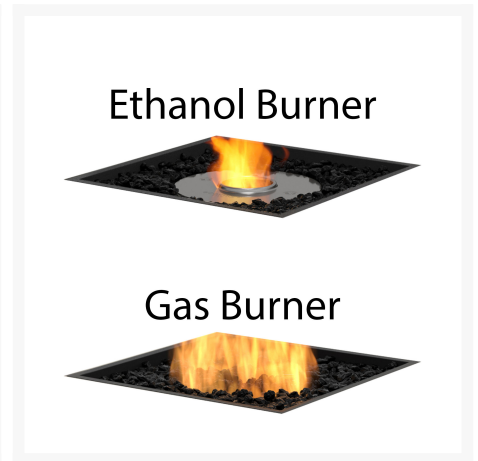
**Phone: 1-888-947-4449**

---

## Product Images

---





## Short Description

EcoSmart Fire Teak Martini 50 Fire Pit ESF.O.MTI.50.NF by EcoSmart Fire

## Description

The EcoSmart Fire Teak Martini 50 Fire Pit (ESF.O.MTI.50.NF) by EcoSmart Fire offers three versatile fuel options: eco-friendly ethanol, natural gas, or liquid propane, catering to diverse preferences and ensuring a greener way to enjoy the warmth of a fire. With the ethanol option's indoor usability, this fire pit seamlessly extends its charm to indoor spaces, making it a perfect addition to any home. Its minimalist design exudes sophistication, while the use of green cement, recycled materials and Fluid Concrete Technology in its lightweight concrete finish not only enhances its aesthetic appeal but also provides unmatched durability by resisting scratches, stains, mold and mildew. It's Grade A teak is a naturally durable wood that withstands extreme weather without losing its strength or beauty. Embrace sustainability without compromising style with the EcoSmart Fire Teak Martini 50 Fire Pit.

### Includes

- One (1) EcoSmart Fire Teak Martini 50 Fire Pit ESF.O.MTI.50.NF by EcoSmart Fire
- One (1) R530 Fire Screen
- One (1) Bag of Black Glass Charcoal

- One (1) AB8 Indoor Safety Tray
- One (1) 1.25 Gallon Jerry Can with Bottle Adaptor (Ethanol Only)
- One (1) 5.5 oz can of Butane (Ethanol Only)
- One (1) AB8 Efficiency Ring (Ethanol Only)
- One (1) Lighting Rod (Ethanol Only)
- One (1) Fire Lighter (Ethanol Only)
- One (1) Optional Martini 50 Winter Bag\* (Teak only)

## Dimensions

- 30in W x 50in D x 11.7in H (107 lb)

## Features

- Eco-friendly ethanol can be installed in just minutes and can be relocated without any limitations - indoors or out. Natural Gas delivers not only the lowest cost of operation but requires no refuelling of any type, ever. Liquid Propane is readily available and powers with the simple push of a button
- Choose the ideal heating level for your indoor or outdoor environment. Gas and Liquid Propane provide the highest amount of heat, up to 65,000 BTU/h. Ethanol delivers comfortable warmth up to 20,433 BTU/h.
- Enjoy a warm fire anywhere, indoors or out, depending on which fuel you choose
- Featuring 360° height-adjustable articulating feet to help you achieve a perfectly level and stable position on your flooring.
- Finishes are extremely durable and weatherproof. We use a blend of green cement, recycled materials and Fluid Concrete Technology in our lightweight concrete finish which resists scratches, stains, mold and mildew.
- Our wood tables are made from Grade A teak, a naturally durable wood that withstands extreme weather without losing its strength or beauty.
- Assembly Required

## Warranty

EcoSmart Fire's warranty covers manufacturing defects; normal wear and tear is not included. With a little bit of care, your furniture will outlive the warranty for many years.

- Two year warranty from date of purchase on stainless steel parts, including raw, finished and powder coated.
- One year warranty from date of purchase on mild steel, including powder coated and chrome plated, cement, glass, leather, fabric, teak and MDF (painted or cemented rendered).

## Care and Maintenance

**Teak:** Long-term, teak furniture develops a pleasing silvery gray patina, which is cosmetic and not an indication of dryness. Its natural oils help keep this hardwood strong and durable in a variety of environments, so there's very little maintenance. Because teak is very weather-resistant, it doesn't need to be stored during the winter or covered with protective tarps. However, covering teak furniture will protect the surface from elements such as hail, wind and snow, which can cause cosmetic damage. To keep the original golden honey finish, apply a very thin layer of Linseed or Teak oil to your furniture 1-2 times a year, depending on exposure. Cleaning with teak cleaner is recommended every 2-3 years, along with the oil application.

**Covers & Storage:** When not in use, we recommend using a protective cover with your furniture. During harsh weather and extreme temperatures, we recommend storing the cushions in a shed or garage and covering the frames with protective covers. If you store the frames indoors during the winter, avoid storing them upside down, which can trap moisture.

## About the Manufacturer

Founded in 2002, MAD Design Group is a dynamic and innovative company that has made a significant mark in the design industry. From inception to execution, they are involved in every aspect of their brands, showcasing a true passion for their products. With an unwavering commitment to excellence, MAD Design Group oversees product development, sourcing materials, manufacturing, packaging, logistics, sales and marketing. Their portfolio includes well-known brands like EcoSmart Fire, Blinde Design, E-NRG Bioethanol and Fluid Technology. Embodying a vision for sustainable and cutting-edge solutions, MAD Design Group continues to be a driving force in redefining the world of contemporary design and environmental responsibility.

## Additional Information

SKU	ESF.O.MTI.50.NF
Brand	EcoSmart Fire
Ships Out Estimate	3 - 5 Days
Residential Warranty	Stainless Steel: 2 Years Concrete: 1 Year Teak: 1 Year

# EcoSmart Fire Teak Martini 50 Fire Pit ESF.O.MTI.50.NF by EcoSmart Fire

\$3,245.00

