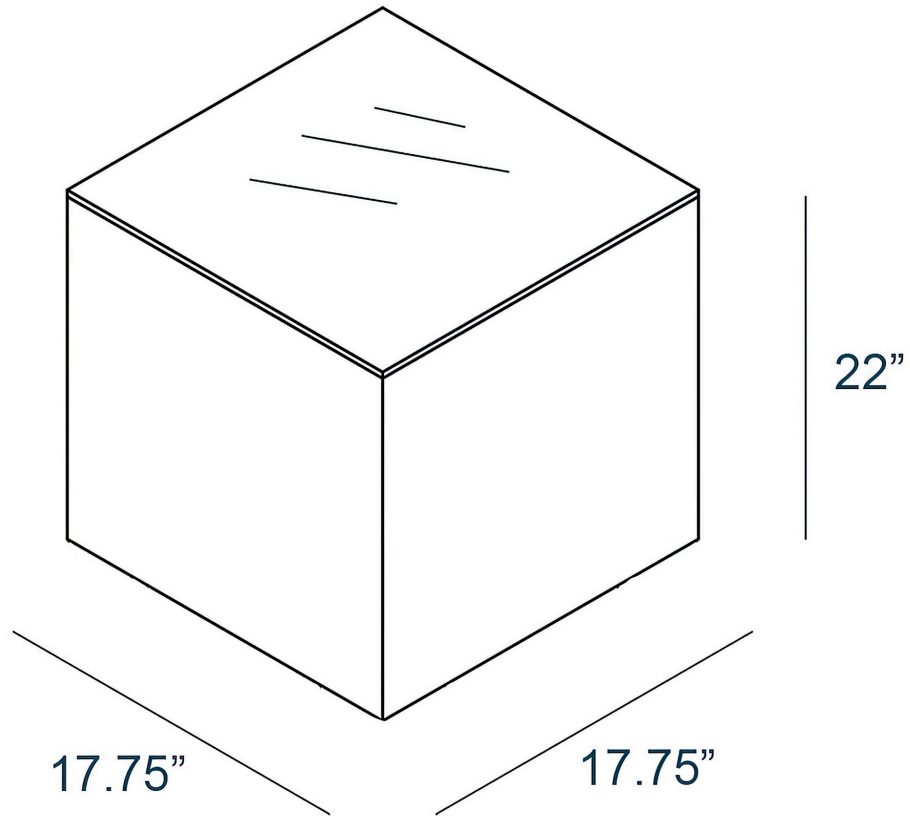

Product Images





Short Description

Mason Square End Table - Natural HL-MAS-ET-NTL by Harmonia Living

Description

The Mason Square End Table - Natural (HL-MAS-ET-NTL) by Harmonia Living blends the best of minimalism and industrial design to create a unique set of outdoor tables. Rendered in a lightweight, concrete composite material, the Mason Collection embodies a 21st Century style that is both rustic and chic. Because of its

simplistic, yet impactful design, you can pair this piece with a wide variety of Harmonia Living collections. Mason's timeless appeal will complement a wide range of seating styles and offers a modern accent to any outdoor living space. Harmonia Living can be tailored to both Residential and Commercial settings and is committed to delivering exceptional furnishings to your outdoor space.

Includes

- One (1) Mason Square End Table - Natural HL-MAS-ET-NTL

Dimensions

- 17.75"W x 17.75"D x 22"H (40 lbs.)
- Frame Height: 22"

Features

- MgO Cement composite is lightweight and resistant to moisture, cracking, chipping or abrasion.
- Fiber reinforced build gives it extra durability and strength.
- Finish is resistant to fading or staining.
- Made for both indoor and outdoor use.
- No assembly required.

Warranty

Harmonia Living's warranty covers manufacturing defects; normal wear and tear is not included. With a little bit of care, your furniture will outlive the warranty for many years.

- Cement: Harmonia Living extends a 1-year residential / 90-day commercial warranty against defects in workmanship and materials in MGO Cement products

Care and Maintenance

Concrete Frame: Concrete is porous and absorbs oils, acids, and chemicals. Clean spills immediately by rinsing or washing gently by hand using clean water and a soft, nonabrasive cloth and allow to air dry. Avoid using harsh cleaners, oily or acidic substances, brushes, or power washers, which could damage the finish.

Covers & Storage: When not in use, we recommend using a protective cover with your furniture. During harsh weather and extreme temperatures, we recommend storing the cushions in a shed or garage and covering the frames with protective covers. If you store the frames indoors during the winter, avoid storing them upside down, which can trap moisture.

About the Manufacturer

Harmonia Living - an integration of beauty, function and durability. For over 15 years, Harmonia Living has strived to represent versatility and unparalleled value in every collection it designs and manufactures. Originally conceived from a vision to integrate elegant, high-end styles with approachable prices, Harmonia Living has grown from a small company based in San Diego, California to one that services the contiguous United States. Harmonia Living is committed to delivering outstanding service and exceptional indoor and outdoor furnishings to bring people together.

Additional Information

| | |
|----------------------|---------------------|
| SKU | HL-MAS-ET-NTL |
| Brand | Harmonia Living |
| Ships Out Estimate | 3 - 5 Business Days |
| Residential Warranty | Cement: 1 Year |

Mason Square End Table - Natural HL-MAS-ET-NTL by Harmonia Living

was
\$345.00 Special
Price
\$249.00

