



**PATIO**  
PRODUCTIONS

Patio Productions San Diego

2161 Hancock St

San Diego, CA 92110

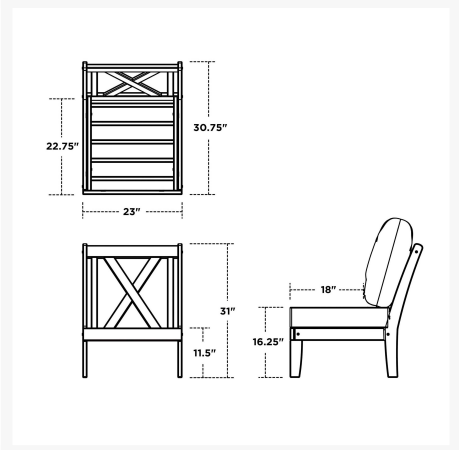
Phone: 1-888-947-4449

---

## Product Images

---





## Short Description

---

Braxton Modular Armless Chair 4501C by POLYWOOD

## Description

---

Bring traditional, timeless style to your patio with the Braxton Modular Armless Chair (4501C) by POLYWOOD. The Braxton Collection's open frames, cross-back design, and smooth edges give it a unique visual appeal, while sturdy, all-weather construction ensures lasting performance across the seasons. Its durable composite frames, weather resistant cushions, and fade-resistant performance fabrics are made to endure in any outdoor setting, rain or shine. Constructed with genuine POLYWOOD® lumber, which includes landfill-bound and ocean-bound plastics, this collection is made to last - and make a lasting difference!

### Includes

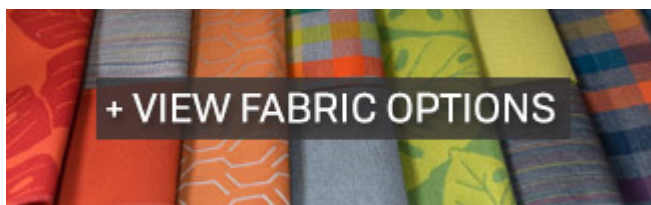
- One (1) Braxton Modular Armless Chair Frame 4501CX
- One (1) Seat Cushion XUF0174

### Dimensions

- 23"W x 31"D x 30.75"H (31.75 lbs.)
- Seat Height: 16.25"

### Features

- POLYWOOD® Lumber is dense, durable, and virtually maintenance free
- Unlike natural wood, composite lumber won't crack, fade, or rot over time
- Built to withstand a range of climates, including hot sun, snowy winters, and strong coastal winds
- High Density Polyethylene (HDPE) frames manufactured using landfill-bound and ocean-bound plastics
- UV protectant and color infused into the lumber; no painting or waterproofing needed
- Cushions are made with Revolution fabric, which is weather resistant, fade resistant, and easy to clean
- Marine-grade quality hardware
- Classic texture finishes have a smooth feel; Vintage finishes have a wood-look texture and are not as smooth as Classic finishes
- Made in the USA
- Assembly required



### About Revolution Performance Fabric Cushions

Revolution was introduced to the furniture industry in March 2014. Revolution was the first PFC chemical free performance fabric to hit the marketplace and was the only one made entirely in the United States after much of the textile business went overseas in 2008. Revolution has become a go-to fabric in the interior design community. It can be used in just about any type of project, whether it's a sectional for a multi-million dollar beach house or kitchen banquette cushions for a small family home. The cleanability and price point is

perfect for clients designing on a budget.

#### About Sunbrella Fabrics

Sunbrella is the flagship brand of the family-owned company Glen Raven, Inc., which has a legacy dating back nearly 140 years. Sunbrella performance fabric is designed to be durable, easy to clean and beautiful for everyone to enjoy comfortably in any environment. Their design team is constantly developing new manufacturing methods and fabrics, which are specifically designed for use on outdoor furniture. Because of its enduring quality and comfort, Sunbrella is one of the most exceptional and well-known fabric brands in the patio furniture industry.

#### About Shayla Copas Fabrics

POLYWOOD has partnered with award-winning designer Shayla Copas and Revolution Performance Fabrics to bring you a new collection of stylish outdoor fabrics. Designed by Shayla herself and produced by Revolution, this outdoor fabric line features rich colors and eye-catching patterns. With gorgeous styles that come in vibrant, tasteful colors, you're sure to find something that will coordinate perfectly with your outdoor furniture and decor.

#### Warranty

POLYWOOD's warranty covers manufacturing defects; normal wear and tear is not included. With a little bit of care, your POLYWOOD furniture and fabric will outlive the warranty by many years.

- POLYWOOD Frames: POLYWOOD® warranties to the original purchaser that, for a period of twenty (20) years of residential use from the date of purchase, under normal use and service conditions, POLYWOOD® furniture shall be free from material defects, and shall not splinter, crack, chip, peel, or rot, or suffer structural damage from insect infestation. Commercial warranty is three (3) years.
- POLYWOOD Cushions: Cushions and pillows are warranted to be free from workmanship or material defects for thirty (30) days from purchase. Cushion construction is warranted for a period of one (1) year from purchase.
- Outdoor Fabrics: Revolution and Sunbrella fabrics carry a five (5) year fade warranty.

#### Care and Maintenance

How to Clean & Sanitize POLYWOOD Furniture: Use this method for quick clean-ups throughout the season. Add in the bleach solution noted below to easily sanitize and eliminate any stubborn stains or dirt build-up from the winter months.

All you need to clean POLYWOOD is mild dish soap, warm water, and a soft cloth! For extra cleaning power or to sanitize, mix 1/3 parts bleach with 2/3 parts water and apply the bleach mixture to the finish with a clean cloth. Allow the bleach solution to sit on the lumber for a few minutes; it will not affect the color of the lumber. Loosen any dirt or debris that may catch in the surface grooves of the lumber by scrubbing the bleach mixture with a soft-bristle brush. Rinse thoroughly, and air dry or wipe dry with a soft cloth.

How to Clean Outdoor Fabric: Small stains can be removed with a mixture of mild dish soap and water. For tougher stains, mix 1 ounce of bleach with 30 ounces of water in a spray bottle. If possible, place a clean towel between the fabric and foam cushion to absorb any excess moisture. Set the nozzle to "fan", then spray and wet out the entire side of the cover where the stain is. Wipe the entire cover with a clean cloth to remove any excess moisture, then spray the same area with clean water to rinse the bleach solution out of the fabric. Wipe the entire cover again with a clean cloth to remove any excess moisture, then allow the cover to air dry.

#### About the Manufacturer

Back in 1990, we were the first to create outdoor furniture from recycled plastic materials. "Made with genuine POLYWOOD lumber" is a brand promise. Our furniture is built to be enjoyed season after season.

More importantly, our goal is to help create spaces where friends and family can gather, relax, and connect. Today, POLYWOOD recycles an average of 400,000 milk jugs per day. Truckloads of recycled milk jugs are transformed into genuine POLYWOOD lumber, which is then used to construct our wide array of Adirondack chairs, rocking chairs, benches, gliders, deep seating, dining, and more! POLYWOOD furniture is built to withstand all four seasons and a range of climates including hot sun, snowy winters, salt spray, and heavy winds. Unlike traditional wood furniture, POLYWOOD furniture will never need to be sanded, painted or stained.

## Additional Information

SKU	4501C
Brand	POLYWOOD
Ships Out Estimate	1 - 2 Weeks
Residential Warranty	Frame: 20 Years Cushions & Pillows: 1 Year Fabric: 5 Years
Fabric	<a href="#">Performance Fabric Choices</a>

# Braxton Modular Armless Chair 4501C by POLYWOOD

was  
**\$795.00** Special  
Price  
**\$559.00**

