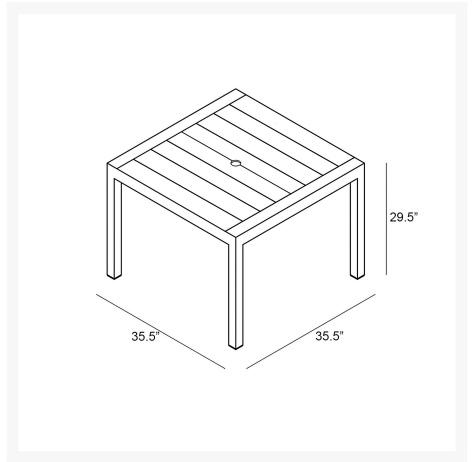


---

## Product Images

---





## Short Description

---

Classic Aluminum 4-Seat Square Dining Table - Black CSAL-BK-4SQDT by Harmonia Living

## Description

---

The Classic Aluminum 4-Seat Square Dining Table - Black (CSAL-BK-4SQDT) by Harmonia Living evokes the beautiful horizontal simplicity of modern architectural lines. A design-forward combination of the sleek aluminum frame with a slat-style table top provides the perfect complement to any outdoor setting, from beach-side deck to urban rooftop. Its fully-welded aluminum frames are treated with a powder-coated finish to ensure lasting performance across the seasons. Harmonia Living can be tailored to both Residential and Commercial settings and is committed to delivering exceptional furnishings to your outdoor space.

### Includes

- One (1) Classic Aluminum 4-Seat Square Dining Table - Black CSAL-BK-4SQDT

### Dimensions

- 35.5"W x 35.5"D x 29.5"H (35 lbs.)
- Frame Height: 29.5"

### Features

- Durable, rust proof frames made from thick gauge aluminum with a high-quality powder coated finish that is appropriate for residential and commercial settings.
- Plastic foot glides help to protect your patio from scratching and also to help keep the furniture protected from dirt or water that can accumulate on the patio.
- Pre-cut umbrella hole fits umbrellas with a pole diameter up to 1.5" and includes a matching umbrella hole cover.
- Assembly required.

### Warranty

Harmonia Living's warranty covers manufacturing defects; normal wear and tear is not included. With a little bit of care, your furniture will outlive the warranty for many years.

- Aluminum Frame: Harmonia Living extends a 3-year residential / 1-year commercial warranty against defects in workmanship and materials that cause structural failure
- Finish: Harmonia Living extends a 1-year residential and commercial warranty against defects such as peeling, cracking, or extreme discoloration

### Care and Maintenance

**Frame:** Simply hose off or wipe down your frame to clean it! Avoid using harsh cleaners, brushes, or power washers, which could damage the finish. Take extra care when placing your furniture in humid or coastal settings; accumulation of salts and other debris can cause damage to your frame.

**Covers & Storage:** When not in use, we recommend using a protective cover with your furniture. During harsh weather and extreme temperatures, we recommend storing the cushions in a shed or garage and covering the frames with protective covers. If you store the frames indoors during the winter, avoid storing them upside down, which can trap moisture.

### About the Manufacturer

Harmonia Living - an integration of beauty, function and durability. For over 15 years, Harmonia Living has strived to represent versatility and unparalleled value in every collection it designs and manufactures. Originally conceived from a vision to integrate elegant, high-end styles with approachable prices, Harmonia Living has grown from a small company based in San Diego, California to one that services the contiguous United States. Harmonia Living is committed to delivering outstanding service and exceptional indoor and outdoor furnishings to bring people together.

## Additional Information

SKU	CSAL-BK-4SQDT
Brand	Harmonia Living
Ships Out Estimate	3 - 5 Business Days
Residential Warranty	Frame: 3 Years Finish: 1 Year

# Classic Aluminum 4-Seat Square Dining Table - Black CSAL-BK-4SQDT by Harmonia Living

was  
**\$685.00** Special  
Price  
**\$489.00**

