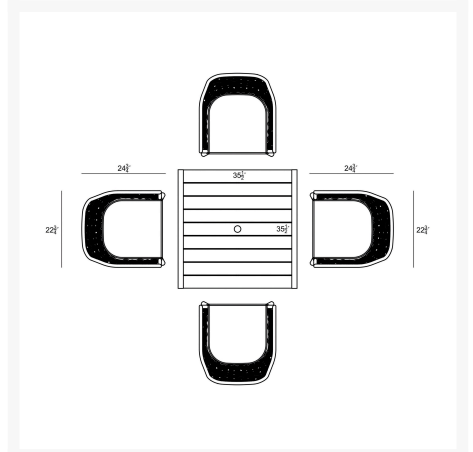

Product Images





Short Description

Parlor Classic 4 Seat Square Dining Table - Slate PAR-SL-SET510 by Harmonia Living

Description

The Parlor Classic 4 Seat Square Dining Table - Slate (PAR-SL-SET510) by Harmonia Living evokes the stately traditions of another era in sleek, modern colors and materials. The Parlor Dining Arm Chair brings a touch of warmth and comfort to your poolside or porch, whether surrounding the dining table or paired with an end

table for intimate outdoor conversation. Its fully-welded aluminum frames are treated with a powder-coated finish to ensure lasting performance across the seasons. Beautiful Olefin rope compliment the frames making it both visually appealing and functional. The roping provides comfortable padding, as well as, temperature moderation during hot and cold days. The Classic Aluminum table evokes the beautiful horizontal simplicity of modern architectural lines. A design-forward combination of the sleek aluminum frame with a slat-style table top provides the perfect complement to any outdoor setting, from beach-side deck to urban rooftop. Harmonia Living can be tailored to both Residential and Commercial settings and is committed to delivering exceptional furnishings to your outdoor space.

Includes

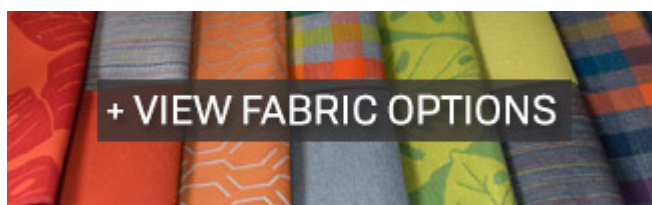
- Four (4) Parlor Dining Arm Chairs
- Four (4) Seat Cushions
- One (1) Classic Aluminum 4-Seater Square Dining Table CSAL-SL-4SQDT

Dimensions

- Parlor Dining Chair: 22.75"W x 24.75"D x 34.75"H (16 lbs.)
 - Frame Height: 34.75
 - Seat Height (No Cushion): 17
 - Seat Height (With Cushion): 19.25
 - Back Height: 15.5
 - Arm Height: 25
- Classic 4-Seater Square Dining Table: 35.5"W x 35.5"D x 29.5"H (35 lbs.)
 - Frame Height: 29.5

Features

- Durable, rust proof frames made from thick gauge aluminum with a high-quality powder coated finish that is appropriate for residential and commercial settings.
- Padded Olefin rope seat bucket contoured for comfort.
- Stackable design makes storage and transportation easy.
- Pre-cut umbrella hole fits umbrellas with a pole diameter up to 1.5" and includes a matching umbrella hole cover.
- Plastic foot glides help to protect your patio from scratching and also to help keep the furniture protected from dirt or water that can accumulate on the patio.
- Includes dining seat pad for additional comfort.
- Chairs do not require assembly, table requires assembly



Warranty

Harmonia Living's warranty covers manufacturing defects; normal wear and tear is not included. With a little bit of care, your furniture will outlive the warranty for many years.

- Aluminum Frame: Harmonia Living extends a 3-year residential / 1-year commercial warranty against defects in workmanship and materials that cause structural failure
- Finish: Harmonia Living extends a 1-year residential and commercial warranty against defects such as peeling, cracking, or extreme discoloration
- Rope: Harmonia Living extends a 2-year residential / 1-year commercial warranty against defects in

workmanship and materials that cause structural failure

Care and Maintenance

Frame: Simply hose off or wipe down your frame to clean it! Avoid using harsh cleaners, brushes, or power washers, which could damage the finish. Take extra care when placing your furniture in humid or coastal settings; accumulation of salts and other debris can cause damage to your frame.

Rope: Outdoor rope is all-weather and fade-resistant. To clean, simply wash it with a soft brush or sponge with mild soapy water. Rinse well and allow to completely air dry. Do not use solvents or abrasives, or chemical cleaning products that could damage the furniture. Do not pull hard on the material as it can be stretched out of shape.

Covers & Storage: When not in use, we recommend using a protective cover with your furniture. During harsh weather and extreme temperatures, we recommend storing the cushions in a shed or garage and covering the frames with protective covers. If you store the frames indoors during the winter, avoid storing them upside down, which can trap moisture.

About the Manufacturer

Harmonia Living - an integration of beauty, function and durability. For over 15 years, Harmonia Living has strived to represent versatility and unparalleled value in every collection it designs and manufactures. Originally conceived from a vision to integrate elegant, high-end styles with approachable prices, Harmonia Living has grown from a small company based in San Diego, California to one that services the contiguous United States. Harmonia Living is committed to delivering outstanding service and exceptional indoor and outdoor furnishings to bring people together.

Additional Information

SKU	PAR-SL-SET510
Brand	Harmonia Living
Ships Out Estimate	3 - 5 Business Days
Residential Warranty	Aluminum Frame 3 Years Finish: 1 Year Rope: 2 Years
Fabric	Performance Fabric Choices

Parlor Classic 4 Seat Square Dining Table - Slate PAR-SL-SET510 by

was
\$2,605.00 Special
Price
\$1,789.00

Harmonia Living

