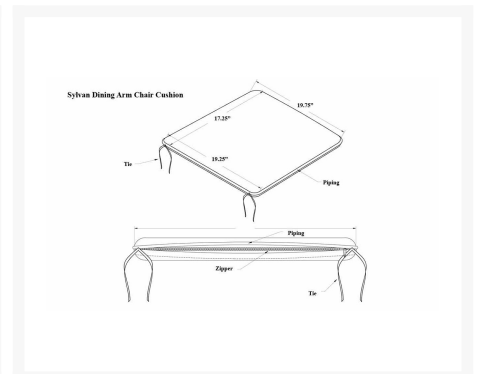


Product Images



Short Description

Universal Dining Arm Chair Cushion HL-CUSH-SYLV-DAC by Harmonia Living

Description

Freshen up your outdoor patio space with brand new replacement cushions by Harmonia Living. Cushions are made with quick-drying Polyurethane foam and wrapped in Dacron, which wicks away moisture. During construction, seams are reinforced with sturdy overlock stitching to prevent internal fraying and ensure longevity throughout years of use. Complete with zippered closures and Sunbrella, Outdura, or Revolution performance fabrics which help make every cushion distinctive, fade-resistance, and easy to clean.

Includes

- One (1) Universal Dining Arm Chair Cushion HL-CUSH-SYLV-DAC

Dimensions

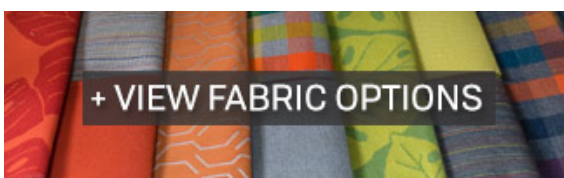
- 17.25"W x 19.75"D x 1.5"H (1 lbs.)

Features

- Cushions are made with quick-drying polyurethane foam and wrapped in dacron, which wicks away moisture
- Durable overlock stitching is used while constructing our cushions for reinforcement purposes and to prevent the fraying of internal fabric seams.
- Available in Sunbrella, Outdura and Revolution performance fabrics, which are distinctive, fade resistant and easy to clean
- Cushion cover comes with a zipper for easy removal
- A self-welt (seam piping) can be added for a tailored look
- Made in the USA

Fits

- Holland Collection:
 - Holland Dining Side Chair (Requires 1)(HL-HND-TK-DSC)
- Link Collection:
 - Link Dining Arm Chair (Requires 1) (HL-LINK-TK-DAC)
- Pacifica Collection:
 - Pacifica Dining Chair (Requires 1) (HL-PAC-BK-DAC)
- Sands Collection:
 - Sands Dining Arm Chair (Requires 1) (HL-SNDS-SD-DAC)
 - Sands Dining Side Chair (Requires 1) (HL-SNDS-SD-DSC)
- Sylvan Collection:
 - Sylvan Dining Arm Chair (Requires 1) (HL-SYLV-TK-DAC)



Warranty

Cushions: Harmonia Living offers a 2 Year residential/ 1 year commercial warranty against defects in workmanship and other materials used in cushion production. Back cushion liners are not covered under warranty.

- Fabric: Sunbrella ®, Revolution and Outdura each carry a 5 year fade warranty from the manufacturer.

Care and Maintenance

Cushions & Outdoor Fabric: Cleaning your cushions on a regular basis will help prevent the build-up of dirt, which can generate mildew. Dirt and dust can be brushed off, and stains can be spot cleaned with mild soap and water, rinse, and allow the fabric to air dry. Cushion covers zip off and can be machine washed and air dried, do not put in the dryer. For tougher stains, visit the fabric manufacturer's website for additional recommendations. Tip: If your cushions are left out during a rainstorm, unzip and place the cushion on its side, zipper side down. This will allow the water to drain out quickly

Covers & Storage: To prolong the life of your furniture, we recommend using a protective cover. In areas with harsh winter climates, store the cushions inside of a garage or shed, and cover the frames to prevent damage.

About the Manufacturer

Harmonia Living is an owner-operated furniture manufacturer from San Diego, California, where patio living is in vogue all year round! The brand was born out of a desire to provide a middle-of-the-road solution for consumers looking to purchase high quality outdoor furniture without having to pay the sky-high prices associated with most other luxury brands.

The team at Harmonia Living began developing new materials and manufacturing methods in 2007. Their advanced, innovative blend of materials allows the company to create furniture that's truly built for everyday use, both indoors and out. Harmonia Living prides itself on being the patio furniture company for everyone, marrying great quality outdoor sets with reasonable pricing.

Additional Information

SKU	HL-CUSH-SYLV-DAC
Brand	Harmonia Living
Ships Out Estimate	Quick Ship: 3 - 5 Business Days Stocked Cushion Fabric: 2 - 3 Weeks
Residential Warranty	2 Years Cushion 5 Years Fabric
Fabric	Performance Fabric Choices

was

Universal Dining Arm Chair Cushion HL-CUSH-SYLV-DAC by Harmonia Living

\$95.00 Special Price

\$70.00

