



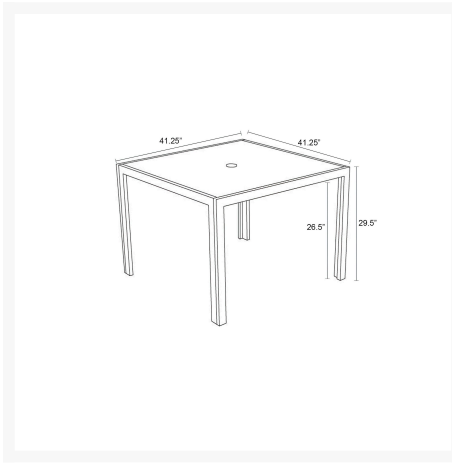
**PATIO**  
**PRODUCTIONS**

---

## Product Images

---





## Short Description

---

Staple 4-Seat Square Dining Table - Black HL-STA-BK-4SQDT-CAR by Harmonia Living

## Description

---

The Staple 4-Seat Square Dining Table - Black (HL-STA-BK-4SQDT-CAR) by Harmonia Living boasts timeless modern lines and durable, low-maintenance materials. Its fully-welded aluminum frames are treated with a powder-coated finish to ensure lasting performance across the seasons. A unique tempered glass top features a scratch-proof ceramic coating - the table's proudest feature. The Staple's versatile design make it the perfect companion to a wide range of dining chairs, whether modern or more traditional. Harmonia Living can be tailored to both Residential and Commercial settings and is committed to delivering exceptional furnishings to your outdoor space.

### Includes

- One (1) Staple 4-Seat Square Dining Table - Black HL-STA-BK-4SQDT-CAR

### Dimensions

- 41.25"W x 41.25"D x 29.5"H (43 lbs.)
- Frame Height: 29.5"
- Under Table Height: 27.5"

### Features

- Durable, rust proof frames made from thick gauge aluminum with a high-quality powder coated finish that is appropriate for residential and commercial settings.
- Extra strong tempered glass top with scratch-proof ceramic coating will hide fingerprints and dust.
- Plastic foot glides help to protect your patio from scratching and also to help keep the furniture protected from dirt or water that can accumulate on the patio.
- Pre-cut umbrella hole fits umbrellas with a pole diameter up to 1.5" and includes a matching umbrella hole cover.
- Assembly required.

### Warranty

Harmonia Living's warranty covers manufacturing defects; normal wear and tear is not included. With a little bit of care, your furniture will outlive the warranty for many years.

- Aluminum Frame: Harmonia Living extends a 3-year residential / 1-year commercial warranty against defects in workmanship and materials that cause structural failure
- Finish: Harmonia Living extends a 1-year residential and commercial warranty against defects such as peeling, cracking, or extreme discoloration

#### Care and Maintenance

Frame: Simply hose off or wipe down your frame to clean it! Avoid using harsh cleaners, brushes, or power washers, which could damage the finish. Take extra care when placing your furniture in humid or coastal settings; accumulation of salts and other debris can cause damage to your frame.

Covers & Storage: When not in use, we recommend using a protective cover with your furniture. During harsh weather and extreme temperatures, we recommend storing the cushions in a shed or garage and covering the frames with protective covers. If you store the frames indoors during the winter, avoid storing them upside down, which can trap moisture.

#### About the Manufacturer

Harmonia Living - an integration of beauty, function and durability. For over 15 years, Harmonia Living has strived to represent versatility and unparalleled value in every collection it designs and manufactures. Originally conceived from a vision to integrate elegant, high-end styles with approachable prices, Harmonia Living has grown from a small company based in San Diego, California to one that services the contiguous United States. Harmonia Living is committed to delivering outstanding service and exceptional indoor and outdoor furnishings to bring people together.

## Additional Information

SKU	HL-STA-BK-4SQDT-CAR
Brand	Harmonia Living
Ships Out Estimate	3 - 5 Business Days
Residential Warranty	Frame: 3 Years Finish: 1 Year

## Staple 4-Seat Square Dining Table - Black HL-STA-BK-4SQDT-CAR by Harmonia Living

was  
**\$800.00** Special  
Price  
**\$512.10**

