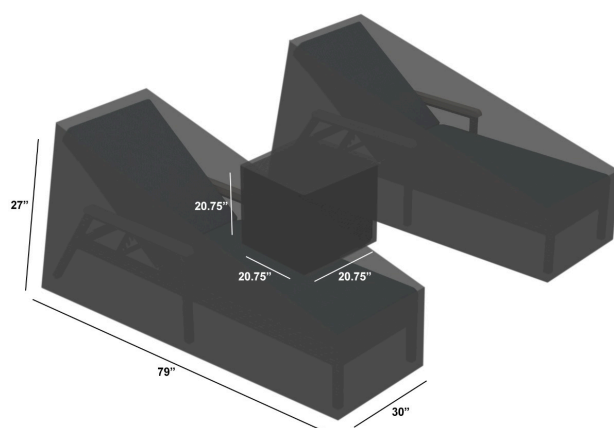




Product Images



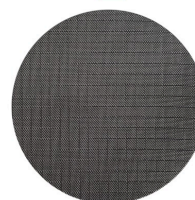
HL-WX-GP-3RCLS

Covers Included

2x HL-WX-GP-RCL1
Reclining Chaise Lounge Cover



1x HL-WX-GP-ET-SQ
Square End Table Cover



Material Swatch

Short Description

WeatherX Covers For 3 Piece Chaise Lounge Set

Description

WeatherX covers by Harmonia Living are made using a combination of advanced Thermoplastic Polyurethane (TPU) specially designed to keep your outdoor furniture dry and looking its best for years to come. Taking cues from performance mountaineering apparel, WeatherX covers are designed to breathe, allowing trapped vapor to escape while keeping rain out. This solves the problem with lesser covers, which can trap moisture, causing mold and mildew. And finally, adjustable drawstring hem cords help keep covers secure on stormy days.

Includes

- Two (2) Chaise Lounge Covers
- One (1) End Table Cover

Dimensions

- Chaise Lounge Cover: 79"L x 30"W x 27"H
End Table Cover: 20.75"W x 20.75"D x 20.75"H

Features

- 3 layers of advanced weather protection
- Revolutionary breathable layers avoid mold and mildew
- SGS tested for water resistance > 10,000mm H2O, UV blockage > 99.95%, and superior wear & tear resistance
- Drawstring at the base of the cover secures cover in place
- Durable, anti-tearing, anti-cracking, anti-scratch, anti-wrinkle fabric
- Solution dyed polyester material for superior fade resistance
- Durable 3-layer 200D solution dyed fabric reinforced with 480D thread withstands temperatures of -35F - 350F

Warranty

- WeatherX Furniture Covers have a 3 year warranty against manufacturing defects

Care and Maintenance

Hose off or wipe clean with a soft cloth. Do not use harsh chemicals.

About the Manufacturer

Harmonia Living is a brand of outdoor wicker furniture and teak furniture from San Diego, California, where patio living is in vogue all year round!

An owner-operated furniture manufacturer, Harmonia Living was born out of a desire to provide a middle-of-the-road solution to consumers looking for high quality teak and wicker lounge furniture, without having to pay the sky-high prices associated with most other luxury brands.

Most manufacturers sell patio sets that are either cheaply made, or outright expensive; why would you pay as

much for your outdoor sofa as you would for a mortgage payment? And on the other hand, why would you pay even a bottom-dollar price on a cheap patio set that is doomed to fall apart on you in very little time? Harmonia Living set out to be the patio furniture company for everyone, marrying great quality outdoor sets with reasonable pricing.

Harmonia Living began developing new materials and manufacturing methods in 2007 that incorporated powder-coated, industrial-strength aluminum frames and high-density polyethylene resin wicker in all their designs - the resin is less costly than organic wicker, but is also much stronger and is totally weather proof.

Then, Harmonia Living pairs their sturdy and affordable furniture with real Sunbrella-brand premium fabrics that are at the apex of the industry in terms of performance, comfort, and durability.

The company further innovated the manufacturing process by developing a system to produce fewer but longer wicker strands that are intricately woven together in unique and efficient patterns; the weave also negates the need to 'staple' the wicker to the frame, as is often the case with most major brands - leaving behind ugly metal protrusions in otherwise elegant wicker furniture.

If you're looking for a cutting-edge patio set that's stylish and easily affordable, then Harmonia Living is the company for you

Additional Information

SKU	HL-WX-GP-3RCLS
Brand	Harmonia Living
Ships Out Estimate	3 - 5 Business Days
Residential Warranty	3 Years

WeatherX Covers For 3 Piece Chaise Lounge Set HL-WX-GP-3RCLS by Harmonia Living

was
\$270.00 Special
Price
\$169.00

