



PATIO
PRODUCTIONS

Patio Productions San Diego

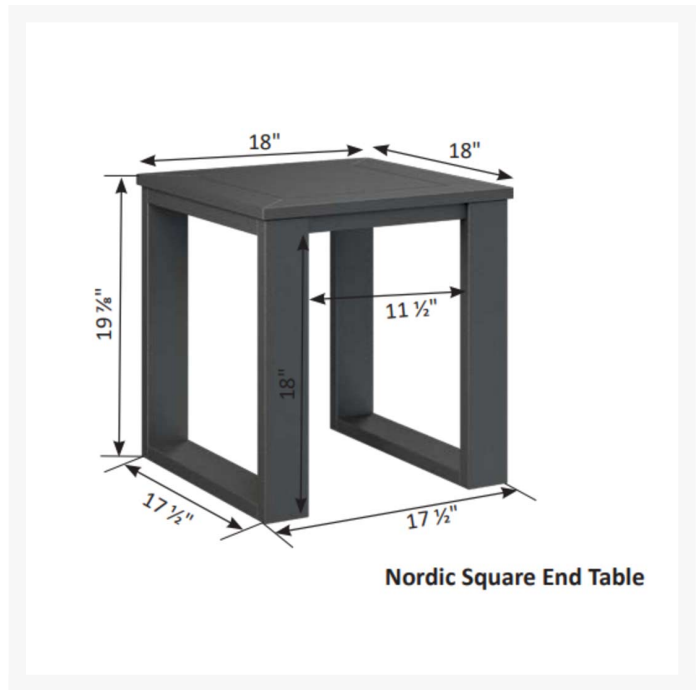
2161 Hancock St

San Diego, CA 92110

Phone: 1-888-947-4449

Product Images





Short Description

Nordic Square End Table NSET1819

Description

With its striking contemporary style and lasting durability, the Nordic Square End Table (NSET1819) by Berlin Gardens makes an excellent pick for low-maintenance patio seating. Nordic's modern, open frame design, crisp edges and sleek silhouette give it a unique visual appeal, while sturdy, all-weather construction ensures lasting performance across the seasons. Whether you're looking for a refreshing pop of color, relaxing earth tones or minimalist basics for your next patio upgrade, this deep seating collection is sure to impress at your next gathering. Constructed with Seaboard® Lumber, the highest grade of marine-grade poly lumber on the market, this piece is guaranteed to last.

Includes

- One (1) Nordic Square End Table NSET1819

Dimensions

- Table: 18" W x 18" D x 19.87" H (24 lbs.)

Features

- Marine-grade poly lumber (MGP) is dense, durable and virtually maintenance free
- Unlike natural wood, poly lumber won't crack, fade or rot over time
- Built to withstand a range of climates, including hot sun, snowy winters, and strong coastal winds
- High Density Polyethylene (HDPE) lumber manufactured using 95% recycled plastic
- UV protectant and color infused into the lumber; no painting or waterproofing needed
- BPA free and Amish made in the USA

- Chrome-plated stainless steel fasteners and aluminum support pieces are corrosion resistant
- Frame is easy to clean; simply spray off with a hose
- Assembly required

Warranty

The Berlin Gardens warranty covers manufacturing defects; normal wear and tear is not included. With a little bit of care, your furniture will outlive the warranty by many years.

- Poly Lumber: Berlin Gardens warrants that its outdoor furniture products will be free of original defects in workmanship and materials for a period of 20 years (residential use) or 5 years (commercial use) from the date of purchase.

Care and Maintenance

Frame: Simply hose off or wipe down your frames to clean them! Avoid using harsh cleaners, brushes or power washers, which could damage the finish. You can use Berlin Gardens Xtreme Clean or any generic composite deck cleaner if needed.

Cushions & Outdoor Fabric: Cleaning your cushions on a regular basis will help prevent build-up of dirt, which can generate mildew. Dirt and dust can be brushed off, and stains can be spot cleaned with mild soap and water; just rinse and allow the fabric to air dry. Cushion covers zip off and can be machine washed and air dried, do not put in the dryer. For tougher stains, visit the fabric manufacturer's website for additional recommendations. Tip: If your cushions are left out during a rainstorm, unzip and place the cushion on its side, zipper side down. This will allow the water to drain out quicker.

Covers & Storage: To prolong the life of your furniture, we recommend using a protective cover. In areas with harsh winters, store the cushions inside of a garage or shed, and cover the frames to prevent damage.

About the Manufacturer

Here at Berlin Gardens, we pride ourselves on creating outdoor furniture that is solidly built, beautifully designed and amazingly durable. Our team of Amish craftsmen combine old world skills and modern technology with their commitment to doing the job right to bring you only the most quality patio furniture. We hope our products help you take life outdoors!

Additional Information

SKU	NSET1819
Brand	Berlin Gardens
Ships Out Estimate	2 - 3 Weeks
Residential Warranty	Poly Lumber: 20 Years

was

\$763.75 Special

Nordic Square End Table NSET1819 by Berlin Gardens

Price
\$611.00

