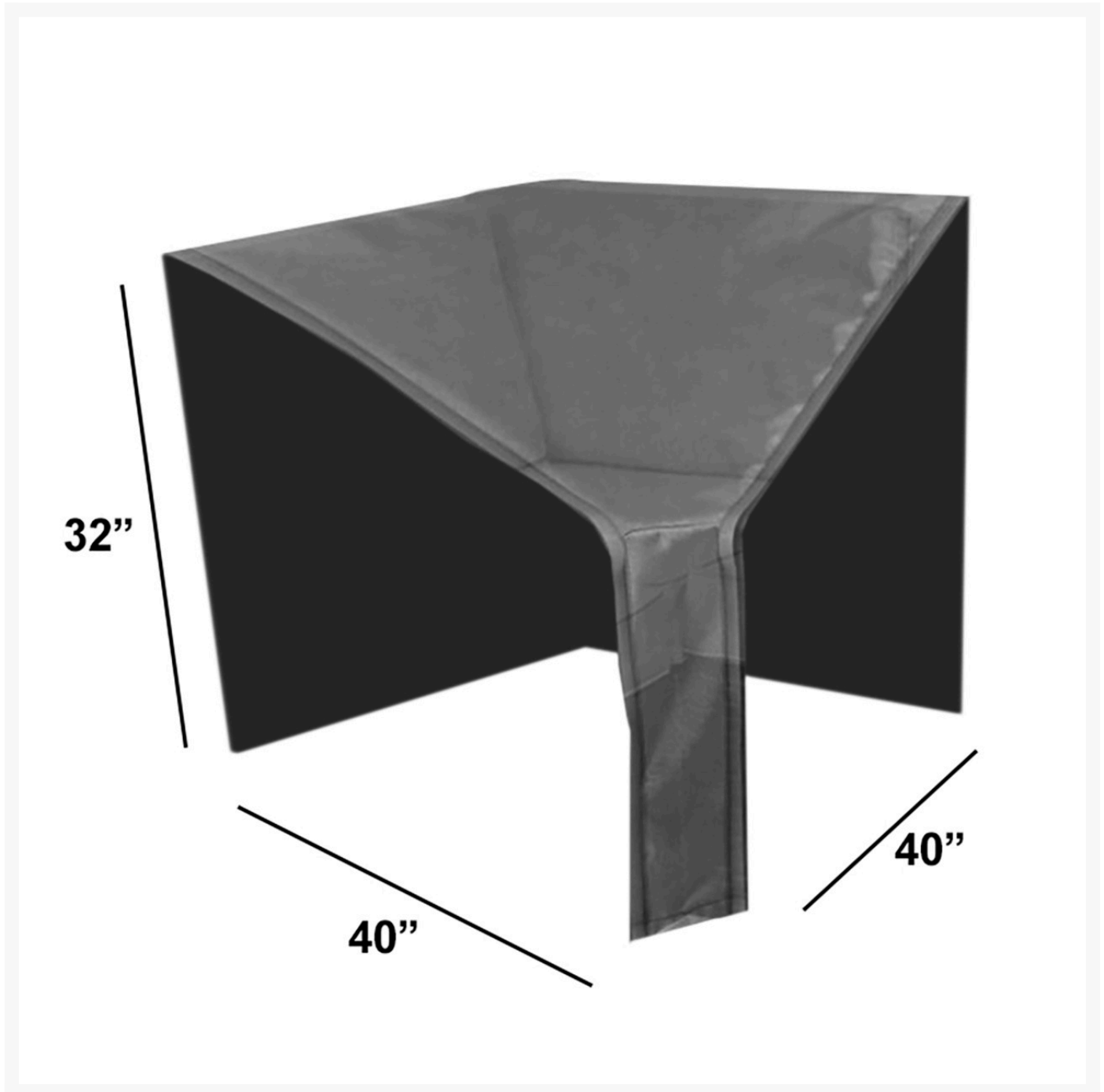


Product Images



Short Description

WeatherX Furniture Cover - Sectional Corner

Description

The WeatherX Furniture Cover - Sectional Corner (HL-WX-GP-SEC-CS) by Harmonia Living is made using advanced Thermoplastic Polyurethane (TPU) layers, which are specially designed to keep your outdoor furniture dry and looking its best for years to come. Taking its cues from performance mountaineering apparel, WeatherX protective covers are designed to breathe, allowing trapped vapor to escape while keeping rain out. This solves the problem with standard covers, which can trap moisture, causing mold and mildew. This cover is available in Graphite Grey and comes with an adjustable drawstring to help keep your cover in place on stormy days.

The following pieces can be zipped together to create a custom sized patio furniture sectional cover: Sectional Corner, Sectional Middle, Sectional Left Arm Facing, Sectional Right Arm Facing, Sectional Left Arm Facing Loveseat, Sectional Right Arm Facing Loveseat

Includes

- One (1) WeatherX Furniture Cover - Sectional Corner
- One (1) Storage Bag

Dimension

- Width: 40"
- Depth/Length: 40"
- Height: 32"
- Weight: 4 lbs.
- Height: 32"
- Weight: 4 lbs.

Features

- 3 layers of weather protection ensures WeatherX covers last in all climates
- Breathable layers prevent mold and mildew
- Solution-dyed polyester fabric offers superior fade resistance
- SGS tested for water resistance > 10,000 mm H₂O, UV Blockage > 99.95%
- Durable fabric resists tearing, cracking, scratching or wrinkling
- Designed to withstand temperatures of -35°F to 350°F
- Use the integrated drawstring to secure your cover in place
- Comes with matching storage bag

Warranty

- WeatherX Furniture Covers have a 3 year warranty against manufacturing defects

Care and Maintenance

Your WeatherX cover will perform best when it is taken care of properly. Simply wipe clean with a wet cloth, do not machine wash or dry. Avoid accidental tears by padding sharp edges and tightening straps gradually while using. Take extra care to avoid pooling water, pests and extreme weather; these could damage your

cover and void the warranty.

About the Manufacturer

Harmonia Living is an owner-operated furniture manufacturer from San Diego, California, where patio living is in vogue all year round! The brand was born out of a desire to provide a middle-of-the-road solution for consumers looking to purchase high quality outdoor furniture without having to pay the sky-high prices associated with most other luxury brands.

The team at Harmonia Living began developing new materials and manufacturing methods in 2007. Their advanced, innovative blend of materials allows the company to create furniture that's truly built for everyday use, both indoors and out. Harmonia Living prides itself on being the patio furniture company for everyone, marrying great quality outdoor sets with reasonable pricing.

Additional Information

SKU	HL-WX-GP-SEC-CS
Brand	Harmonia Living
Ships Out Estimate	3 - 5 Business Days
Residential Warranty	3 Years

WeatherX Furniture Cover - Sectional Corner HL-WX-GP-SEC-CS by Harmonia Living

was
\$155.00 Special
Price
\$109.00

