



Patio Productions San Diego

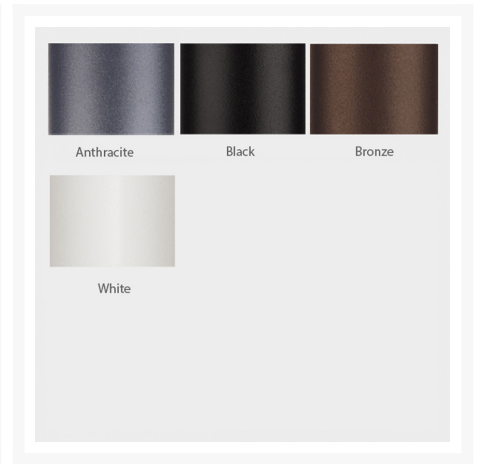
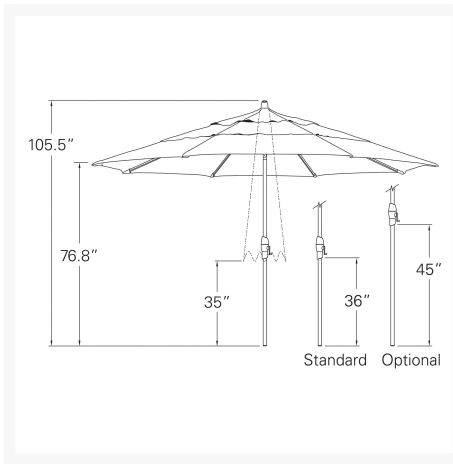
2161 Hancock St

San Diego, CA 92110

Phone: 1-888-947-4449

Product Images





Short Description

11' Auto Tilt Designer Market Umbrella UM812DC by Treasure Garden

Description

If you have a specific look in mind for your new umbrella, you'll love the 11' Auto Tilt Designer Market Umbrella (UM812DC) by Treasure Garden. Customize your ideal sunshade with 4 sleek, rust proof finishes, 4 unique canopy designs, and a variety of top quality, fade resistant fabrics. Make sure to read through our How to Order guide below before ordering to save time at checkout!

This umbrella is elegant, durable and easy to use, bringing the perfect amount of shade and style to your patio. Whether you're looking to go bold, relax or bring a fresh new look to your patio, this umbrella is adaptable to any and all of your outdoor needs. If you can't find the fabric you're looking for or would like to order this canopy for a commercial grade umbrella, give us a call at 1-888-947-4449 for more options!

Includes

- One (1) 11' Auto Tilt Designer Market Umbrella UM812DC
- Base and protective cover sold separately

Recommended Bases:

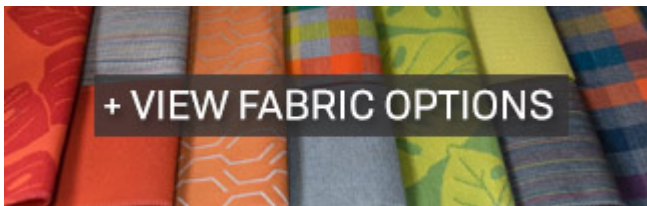
- Minimum base weight with dining table: 75 - 90 lbs.
- Not recommended for free standing use

Dimensions

- Open Umbrella Width: 11'
- Coverage: 85 sq. ft.
- Number of Ribs: 8
- Pole Diameter: 1.5"
- Weight: 28 lbs.

Features

- Convenient crank lift system for quick and easy opening
- To tilt, continue to turn the crank until your umbrella is in the desired position
- Powder coated aluminum frame is sleek, durable and corrosion resistant
- When ordered as Sandwich (DC4) or Three Fabrics (DC5) design, umbrella comes with a double wind vent; When ordered as Trim Accent (DC6) or Top Vent and Trim Accent (DC7) design, umbrella comes with a single wind vent
- Includes 36" bottom pole, but you can add 45" (ideal for bars) for more height
- Available in Sunbrella, O'bravia, Outdura and Docril fabrics, which are distinctive, fade resistant and easy to clean
- Simply hose off to clean and store in protective cover away from elements to extend lifespan
- 100% Kevlar mesh lift cord gives umbrella additional strength and flexibility
- Please see our How to Order guide over on the right to save time at checkout



Warranty

- Frame has 2 year warranty against manufacturing defects
- O'bravia fabrics have a 4 year fade warranty
- Outdura, Docril and standard Sunbrella fabrics have a 5 year fade warranty
- All designer canopies are made to order and therefore not eligible for return

Care & Maintenance

This designer umbrella is easy to care for. Simply hose off to clean or spot treat for stains. To further extend the lifespan of your umbrella, store in a protective cover away from the elements. If you plan on using your umbrella near saltwater or an indoor pool, wipe it down regularly to prevent paint blistering. Don't forget to store it ahead of a storm!

About the Manufacturer

Treasure Garden has built a reputation of leadership by producing top quality, custom-made, handcrafted umbrellas, rugs, and furniture covers. Our designers combine advanced technology with the latest color and fabric trends to enhance our products and their performance every year. Thanks to the 6,000 employees who share in the same vision and their attention to detail, Treasure Garden continues to be "The World's Favorite Shade."

Additional Information

SKU	UM812DC
Brand	Treasure Garden
Ships Out Estimate	3 - 4 Weeks
Residential Warranty	Frame: 2 Years Sunbrella/Outdura/Docril Fabrics: 5 Years O'bravia Fabrics: 4 Years
Fabric	Performance Fabric Choices

11' Auto Tilt Designer Market Umbrella UM812DC by Treasure Garden

was
\$740.00 Special
Price
\$499.00

