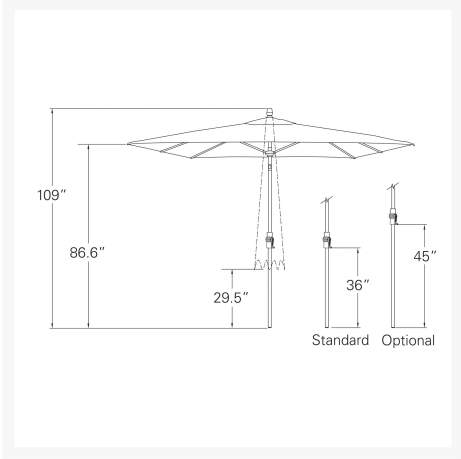

Product Images





Short Description

EVO Dual-Light Sound Pod by Treasure Garden

Description

Introducing the EVO Dual-Light Sound Pod (EVO) by Treasure Garden! This multifunctional umbrella and table light with built-in surround sound Bluetooth speakers is guaranteed to add ambiance and entertainment to your outdoor space. With its integrated bass speaker, adjustable LED lights and long-lasting battery life, it's perfect for entertaining all day long.

The EVO's water and dust resistance makes this portable device ideal for urban and rustic settings alike. Enjoy cool lighting with the White EVO (03) or warm lighting with the Black EVO (09). It also includes a USB port for charging other devices, so you can keep the party going!

Includes

- One (1) Treasure Garden EVO Dual-Light Sound Pod
- Power supply included

Dimensions

1. Height: 10.63"
2. Width: 8.68"

3. Depth: 8.68"
4. Diameter: 8.68"
5. Weight: 4.63 lbs.

Features

- Enjoy as portable sound pod or umbrella light with speaker
- Full charge ensures uninterrupted use for up to 8 hours
- Works with any Bluetooth device
- White EVO (03) comes with adjustable cool light, Black EVO (09) comes with adjustable warm light
- Water and dust resistant build helps protect EVO in humid and dry climates alike
- Self adjusting clamp will work with umbrella poles up to 2" in diameter
- Surround sound and integrated bass provide a crisp, quality audio experience outdoors
- 5V output USB port included so everyone can get in on the fun
- Device shuts off after 15 minutes of inactivity to preserve power
- Note: Using USB and lights will reduce battery life to 4 hours

Warranty

- EVO has 1 year warranty against manufacturing defects

Care & Maintenance

To keep your EVO in top quality condition, we recommend storing it away from direct sunlight and moisture. If the device does get lightly damp, allow it to air dry for at least 24 hours before reuse. Overcharging may cause serious damage to the battery, so we suggest leaving it plugged in for no longer than it takes to fully charge (about 3 hours). If you're going to store your EVO for a while, plan to charge it ahead of time.

About the Manufacturer

Treasure Garden has built a reputation of leadership by producing top quality, custom-made, handcrafted umbrellas, rugs, and furniture covers. Our designers combine advanced technology with the latest color and fabric trends to enhance our products and their performance every year. Thanks to the 6,000 employees who share in the same vision and their attention to detail, Treasure Garden continues to be "The World's Favorite Shade."

Additional Information

SKU	EVO
Brand	Treasure Garden
Ships Out Estimate	3 - 5 Business Days
Residential Warranty	1 Year

was
\$580.00 Special

EVO Dual-Light Sound Pod by Treasure Garden

Price
\$389.00

