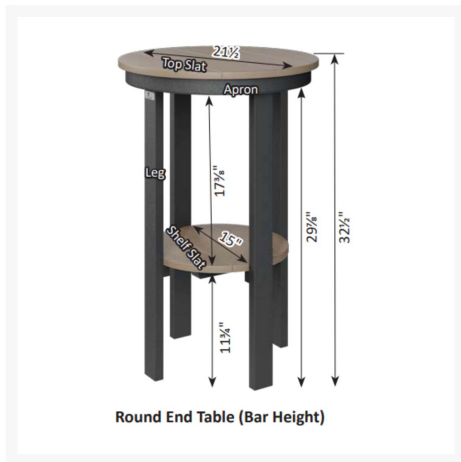
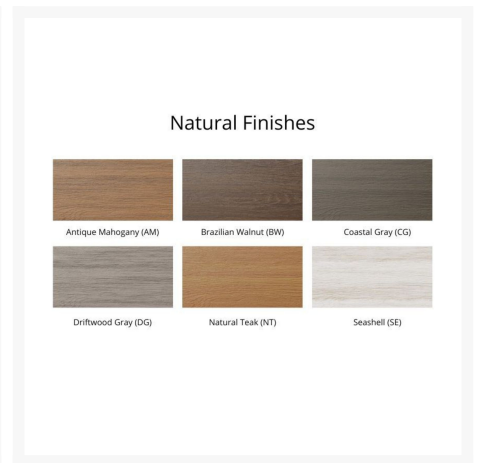

Product Images





Short Description

Round Bar Height End Table PRET3222

Description

Add the Round Bar Height End Table (PRET3222) by Berlin Gardens to your patio collection for even more style and convenience! Its clean edges and versatile frame design give it a unique visual appeal, while sturdy, all-weather construction ensures lasting performance across the seasons. Whether you're looking for a refreshing pop of color, relaxing earth tones or minimalist basics for your next patio upgrade, this buffet table is sure to impress at your next gathering. Constructed with PolyTuf™ Lumber, one of the highest grades of poly lumber on the market, this piece is guaranteed to last.

Includes

- One (1) Round Bar Height End Table PRET3222

Dimensions

- 21.5" W x 21.5" D x 32" H (30 lbs.)

Features

- PolyTuf™ Lumber is dense, durable and virtually maintenance free

- Unlike natural wood, poly lumber won't crack, fade or rot over time
- Built to withstand a range of climates, including hot sun, snowy winters, and strong coastal winds
- High Density Polyethylene (HDPE) lumber manufactured using 95% recycled plastic
- UV protectant and color infused into the lumber; no painting or waterproofing needed
- BPA free and Amish made in the USA
- Chrome-plated stainless steel fasteners and aluminum support pieces are corrosion resistant
- Frame is easy to clean; simply spray off with a hose
- Some assembly required

Warranty

The Berlin Gardens warranty covers manufacturing defects; normal wear and tear is not included. With a little bit of care, your furniture will outlive the warranty by many years.

- Poly Lumber: Berlin Gardens warrants that its outdoor furniture products will be free of original defects in workmanship and materials for a period of 20 years (residential use) / 5 years (commercial use) from the original date of purchase.

Care and Maintenance

Frame: Simply hose off or wipe down your frames to clean them! Avoid using harsh cleaners, brushes or power washers, which could damage the finish. You can use Berlin Gardens Xtreme Clean or any generic composite deck cleaner if needed.

Covers & Storage: To prolong the life of your furniture, we recommend using a protective cover. In areas with harsh winters, store the cushions inside of a garage or shed, and cover the frames to prevent damage.

About the Manufacturer

Here at Berlin Gardens, we pride ourselves on creating outdoor furniture that is solidly built, beautifully designed and amazingly durable. Our team of Amish craftsmen combine old world skills and modern technology with their commitment to doing the job right to bring you only the most quality patio furniture. We hope our products help you take life outdoors!

Additional Information

SKU	PRET3222
Brand	Berlin Gardens
Ships Out Estimate	2 - 3 Weeks
Residential Warranty	Poly Lumber: 20 Years

Round Bar Height End Table PRET3222

was
\$451.25 Special
 Price

by Berlin Gardens

\$361.00

