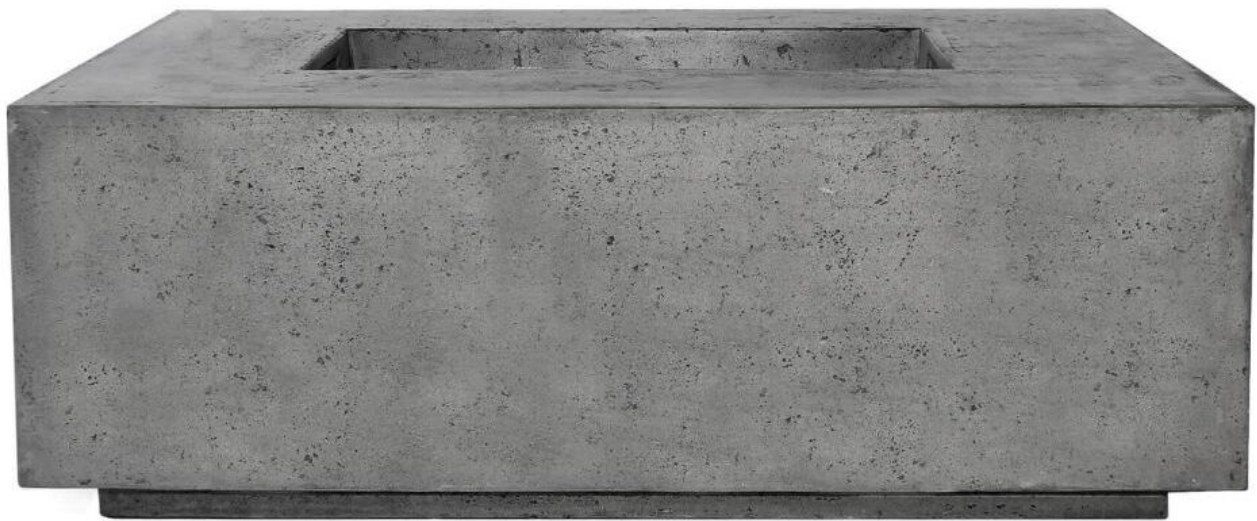
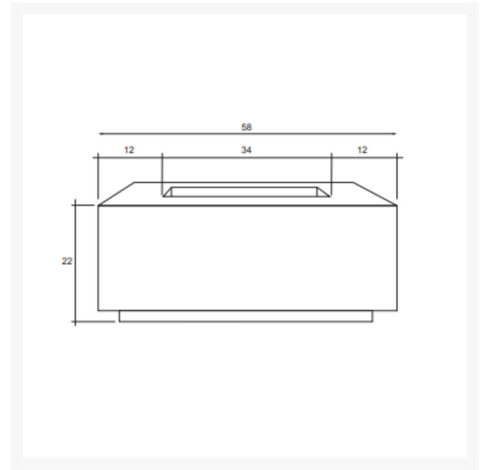

Product Images





Short Description

Porto 58 Fire Table with Enclosed Propane Tank Storage PH-435 by Prism Hardscapes

Description

The Porto 58 Fire Table w/ Enclosed Propane Tank Storage (PH-435) by Prism Hardscapes will help you create an outdoor retreat with the perfect comfort and ambience. This fire pit functions as both a beautiful centerpiece and a stylish source of heat for any backyard, patio, or lounging area. Its durable Glass Fiber Reinforced Concrete frame and stainless steel components are made to last across all seasons, rain or shine. Each fire table is handcrafted using Prism Hardscapes' custom patina finishing process, which guarantees a one-of-a-kind creation with subtle variation. The key valve ignition system offers additional control and safety, which is great for families with small children. You will need the key to unlock the system before engaging the gas. To use, simply turn the key to the on position and use a match lighter to light.

Includes

- One (1) Porto 58 Fire Table w/ Enclosed Propane Tank Storage PH-435
- Includes Lava Rock Fire Media
- Propane tanks sold separately

Features

Manufacturer	Prism Hardscapes
SKU	PH-435
Dimensions	38" W x 58" L x 22" H x 11"/12" Rim Surface Depth, Burner Size: 24"
Weight	450 lbs.
Frame Material	Glass Fiber Reinforced Concrete

Available Colors	Cafe, Ebony, Pewter, Natural, Ultra White
Heat Output	65,000 BTUs
Fuel Type	Liquid Propane
Ignition	Key Valve
Warranty	2 Years

Features

- GFRC is lightweight and resistant to moisture, cracking, chipping or abrasion
- Fiber reinforced build gives the table extra durability and strength
- Made for use with a standard 20 lb. liquid propane tank
- Burn time is approximately 8 hours per 20 lb. tank
- Stainless steel burner and insert are corrosion resistant
- Easily control the gas flow with the key valve ignition
- No assembly required
- Commercial quality construction and CSA listed

Warranty

- The Prism Hardscapes warranty covers manufacturing defects, normal wear and tear is not included. With a little bit of care, your furniture will outlive the warranty by many years.
- Prism Hardscapes offers a 2-year residential and commercial limited warranty against manufacturing defects.

Care and Maintenance

Wipe up spills immediately with a dry cloth. For overall cleaning, use a soft cloth with a drop of mild dish soap. Rinse off soap and wipe dry. Avoid using harsh cleaners, brushes or power washers, which could damage the finish.

About the Manufacturer

Prism Hardscapes is dedicated to providing dependable, personalized products and services that capture your outdoor living area ideas down to the last detail. From concept to finished product, their craftsman element is present in every aspect of the process. Prism's products are handcrafted using a custom patina finishing process, which guarantees a one-of-a-kind creation for your patio.

Additional Information

SKU	PH-435
Brand	Prism Hardscapes
Ships Out Estimate	4 - 6 Weeks
Residential Warranty	2 Years

Porto 58 Fire Table with Enclosed Propane Tank Storage PH-435 by Prism Hardscapes

was
\$5,282.50 Special
Price
\$4,226.00

