



Patio Productions San Diego

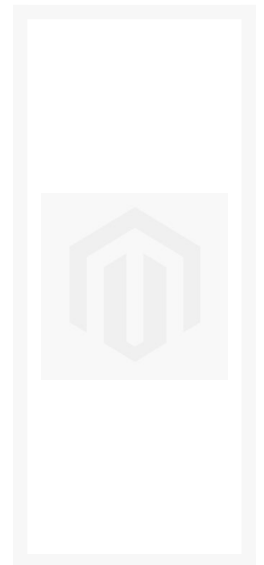
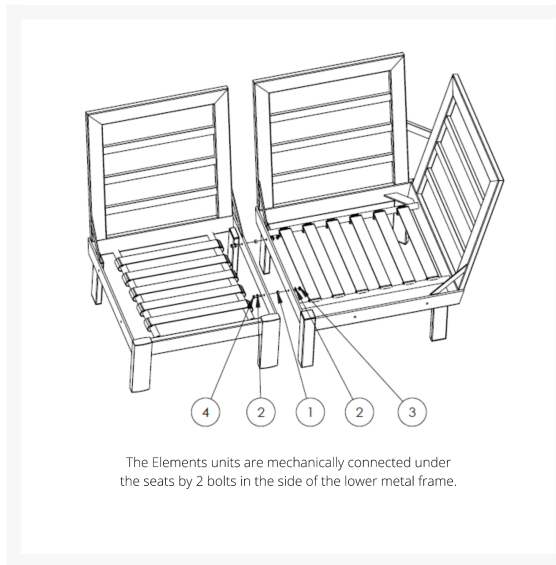
2161 Hancock St

San Diego, CA 92110

Phone: 1-888-947-4449

Product Images





Short Description

Elements Modular Left Arm Sofa 5143L by Homecrest

Description

With the Elements Modular Left Arm Sofa (5143L) by Homecrest you'll never have to sacrifice style for comfort again. This deep seating series combines fresh and transitional design with the supreme comfort guaranteed by Homecrest's DreamCore cushions. The fully-welded aluminum frames are made to last while a multi-stage powder coat provides all-weather protection across all seasons. Indulge in the DreamCore™ cushions that are designed to offer luxurious comfort while fade-resistant Outdura fabric is made to endure in any outdoor setting. Its modular design allows for creating endless seating configurations and is adaptable to any space's layout. Built for commercial and residential use, this is a perfect piece to add to small patios, poolside decks, and high-traffic terraces.

Includes

- One (1) Elements Modular Left Arm Sofa 5143L

Dimensions

- 75.5" W x 33" D x 35" H (72.8 lbs.)
- Seat Height: 18"
- Arm Height: 23.5"

Features

- Powder-coated aluminum frames are lightweight, durable, and rust proof
- Thick DreamCore™ cushions are comfortable, resilient, and designed to retain their shape
- Cushions are secured to withstand wind and ensure long-lasting performance
- Grommet venting gives seating added breathability
- Available in Outdura fabric, which is distinctive, fade resistant and easy to clean
- Premium commercial-grade materials ensure durability and longevity for both commercial and

- residential spaces
- Made in the USA
- No Assembly Required



Warranty

Homecrest's warranty covers manufacturing defects; normal wear and tear is not included. With a little bit of care, your furniture will outlive the warranty for many years.

- Frame: 15 Year Residential / 5 Years Commercial warranty against structural failure or manufacturing defects
- Finish: 5 Year Residential and Commercial warranty against peeling, blistering, or cracking of the aluminum finish
- Cushions: 2 Year Residential / 1 Year Commercial warranty against manufacturing defects
- Fabrics: Outdura fabrics have a 5-year fade warranty

Care and Maintenance

Frame: Simply hose off or wipe down your frame to clean it! Avoid using harsh cleaners, brushes, or power washers, which could damage the finish. Take extra care when placing your furniture in humid or coastal settings; accumulation of salts and other debris can cause damage to your frame.

Cushions & Outdoor Fabric: Regular cleaning with mild soap and water will help prevent the build-up of dirt, which can generate mildew. Simply spot-treat stains with mild soap and water, rinse, and allow the fabric to air dry. Cushions will dry much faster when removed from the frames and placed on their sides or edges. For more information, please visit the fabric manufacturer's website.

Covers & Storage: When not in use, we recommend using a protective cover with your furniture. During harsh weather and extreme temperatures, we recommend storing the cushions in a shed or garage and covering the frames with protective covers. If you store the frames indoors during the winter, avoid storing them upside down, which can trap moisture.

About the Manufacturer

Homecrest has been an iconic American brand, crafting durable, timeless outdoor furniture in the USA since 1953. Combining a rich history of quality and classic design with affordable luxury and versatile living, Homecrest's focus has broadened to encompass the increasing demands of sophisticated, style-driven consumers who seek to complement their homes, indoors and out. The latest Homecrest collections reflect this trend, highlighted by timeless frame designs and finishes, fashionable fabrics, and comfortable seating options. Homecrest's comprehensive line of affordable luxury outdoor patio furniture is offered in 30 collections and can be customized with an array of finish and fabric options. All products are manufactured in Wadena, Minnesota, USA.

Additional Information

SKU	5143L
Brand	Homecrest
Ships Out Estimate	4 - 5 Weeks
Residential Warranty	Frame: 15 Years Finish: 5 Years Cushions: 2 Years Fabric: 5 Years
Fabric	Fabric Choices

Elements Modular Left Arm Sofa 5143L by Homecrest

was
\$4,397.00 Special
Price
\$3,737.45

