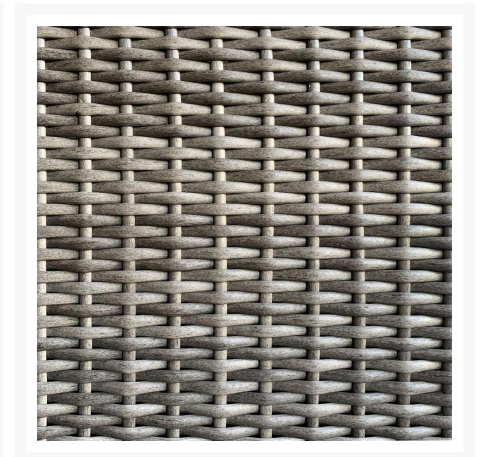
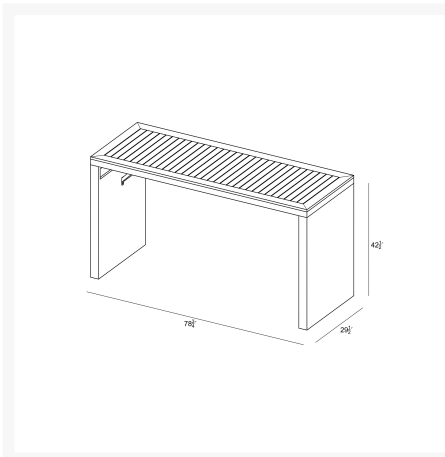


Product Images





Short Description

Dune 6-Seat Rectangular Bar Table HL-DUNE-DW-6BT by Harmonia Living

Description

Bring timeless style and beauty to any outdoor space with the Dune 6-Seat Rectangular Bar Table (HL-DUNE-DW-6BT) by Harmonia Living. Its fully-welded aluminum frames are treated with a powder-coated finish to ensure lasting performance across the seasons while the wicker is hand-woven from High-Density Polyethylene (HDPE) which is resistant to cracking. Made for lasting durability, color is infused into the HDPE wicker to prevent fading and finished in a beautifully textured Driftwood color to give it a natural look and feel. The table top is Constructed with sustainably harvested, Grade A teak wood, this piece is naturally resistant to moisture, rotting, and pests. Harmonia Living can be tailored to both Residential and Commercial settings and is committed to delivering exceptional furnishings to your outdoor space.

Includes

- One (1) Dune 6-Seat Rectangular Bar Table HL-DUNE-DW-6BT

Dimensions

- 78.75"W x 29.5"D x 42.5"H (155 lbs.)
- Frame Height: 42.5"
- Under Table Height: 39.25"

Features

- High-Density Polyethylene (HDPE) is a synthetic all-weather wicker made with virgin materials that provides resistance to fading and cracking. Wicker color is infused into the HDPE wicker for lasting durability.
- Wicker is hand-woven onto a thick gauge, powder coated aluminum frame that is lightweight, durable and corrosion resistant.
- Made from sustainable certified V legal, Grade A teak is harvested responsibly. Grade A teak is from mature trees that features grain that is more even, and color that is more consistent than lesser grades of teak.
- Plastic foot glides help to protect your patio from scratching and also to help keep the furniture

protected from dirt or water that can accumulate on the patio.

- Assembly required.

Warranty

Harmonia Living's warranty covers manufacturing defects; normal wear and tear is not included. With a little bit of care, your furniture will outlive the warranty for many years.

- HDPE Wicker: Harmonia Living extends a 2-year residential / 1-year commercial warranty against structural failure, finish fading, or cracking.
- Teak: Harmonia Living extends a 1-year residential / 90-day commercial warranty against defects in workmanship and materials

Care and Maintenance

HDPE Wicker: To clean HDPE wicker, rinse with cool water, and use a cloth with mild dish soap to wipe down and remove dust and residue. Use cool water to wipe away any soapy residue. Dry with a soft cloth.

Teak: Long-term, teak furniture develops a pleasing silvery gray patina, which is cosmetic and not an indication of dryness. Its natural oils help keep this hardwood strong and durable in a variety of environments, so there's very little maintenance. Because teak is very weather-resistant, it doesn't need to be stored during the winter or covered with protective tarps. However, covering teak furniture will protect the surface from elements such as hail, wind, and snow, which can cause cosmetic damage. To keep the original golden honey finish, apply a very thin layer of Linseed or Teak oil to your furniture 1-2 times a year, depending on exposure. Cleaning with teak cleaner is recommended every 2-3 years, along with the oil application.

About the Manufacturer

Harmonia Living - an integration of beauty, function and durability. For over 15 years, Harmonia Living has strived to represent versatility and unparalleled value in every collection it designs and manufactures. Originally conceived from a vision to integrate elegant, high-end styles with approachable prices, Harmonia Living has grown from a small company based in San Diego, California to one that services the contiguous United States. Harmonia Living is committed to delivering outstanding service and exceptional indoor and outdoor furnishings to bring people together.

Additional Information

SKU	HL-DUNE-DW-6BT
Brand	Harmonia Living
Ships Out Estimate	3 - 5 Business Days
Residential Warranty	HDPE Wicker: 2 Years Teak: 1 Year

was

Dune 6-Seat Rectangular Bar Table HL-DUNE-DW-6BT by Harmonia Living

\$1,990.00 Special

Price

\$1,419.00

