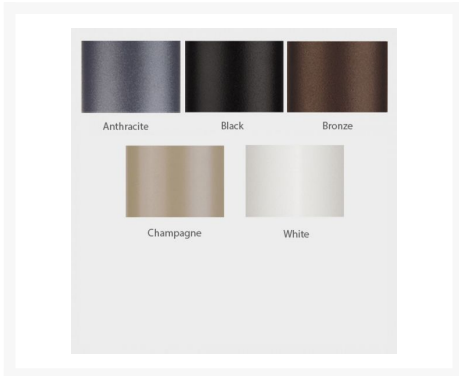
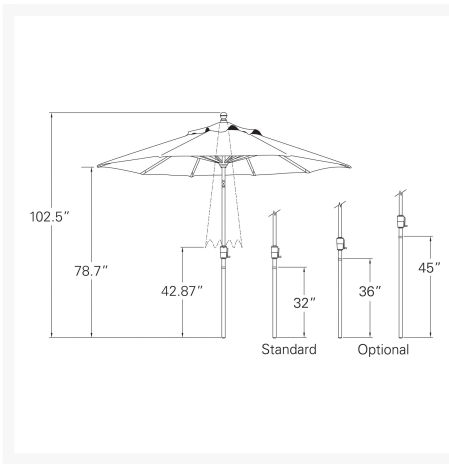




Product Images





UMBRELLA SIZE RECOMMENDATIONS					
SEATING			SEATING		
SEATING	SEATING	SEATING	SEATING	SEATING	SEATING
8' Octagon 85	8' Round 80	8' Octagon 70	11' Square 132	10' x 12' Rectangle 130	11' x 13' Rectangle 138
10' Octagon 70	10' Round 65	10' Octagon 70	13' Octagon 129	10' Square 100	11' x 13' Rectangle 96
9' Octagon 57	7' Round 49	7' Octagon 39	11' x 13' Rectangle 88		

Short Description

9' Octagon Quick Ship Push Button Tilt Market Umbrella UM920QS by Treasure Garden

Description

The 9' Octagon Quick Ship Push Button Tilt Market Umbrella (UM920QS) by Treasure Garden is elegant, durable and easy to use, bringing the perfect amount of shade and style to your patio. This umbrella's simple, lightweight design makes setup easy. Simply crank to open the canopy and use the push button to tilt!

This sunshade is available in a sleek, rust-proof Black finish and a variety of top quality, fade resistant fabrics. Whether you're looking to go bold, relax or bring a fresh new look to your patio, this umbrella is adaptable to any and all of your outdoor needs. If you can't find the fabric you're looking for, give us a call at 1-888-947-4449 for more options!

Includes

- One (1) 9' Octagon Quick Ship Push Button Tilt Market Umbrella UM920QS
- Bases and protective covers sold separately

Dimension

- Canopy Size: 9'
- Overall Height: 102.5"
- Coverage: 57 sq. ft.

- Number of Ribs: 8
- Top Pole Diameter: 1.38"
- Bottom Pole Diameter: 1.5"
- Weight: 22 lbs.
- Minimum Base Weight: 50 lbs.

Features

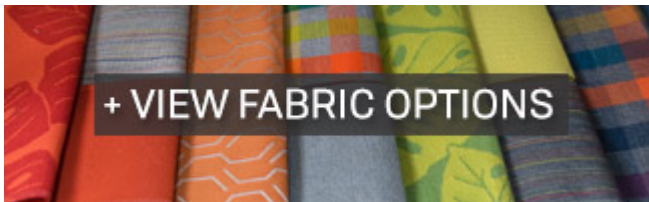
- Convenient crank system for quick and easy opening
- Push button tilt offers effortless, two-way tilting
- Comes with single wind vent, which serves dual purpose of venting heat and providing stability against wind
- Available in Sunbrella and O'bravia fabrics, which are distinctive, fade resistant and easy to clean
- Simply hose off to clean and store in protective cover away from elements to extend lifespan
- Includes 32" bottom pole, but you can add 36" (best for counters) or 45" (ideal for bars) for more height
- Recommended minimum base weight: 50 lbs. for use with patio dining table
- For freestanding use, we recommend 80 - 120 lbs. base

Warranty

- Frame has a 1 year warranty against manufacturing defects
- Sunbrella fabrics have a 5 year fade warranty
- O'bravia fabrics have a 4 year fade warranty

Care and Maintenance

This sunshade is easy to care for. Simply hose off to clean or spot treat for stains. To further extend the lifespan of your umbrella, store in a protective cover away from the elements. Avoid using the tilt function during windy weather and try not to force the ribs apart when opening; this could damage your umbrella. If you plan on using your umbrella near salt water or an indoor pool, wipe down regularly to prevent paint blistering. Don't forget to store it ahead of a storm!



About the Manufacturer

Treasure Garden has built a reputation of leadership by producing top quality, custom-made, handcrafted umbrellas, rugs, and furniture covers. Our designers combine advanced technology with the latest color and fabric trends to enhance our products and their performance every year. Thanks to the 6,000 employees who share in the same vision and their attention to detail, Treasure Garden continues to be "The World's Favorite Shade."

Additional Information

SKU	UM9209QS
Brand	Treasure Garden
Ships Out Estimate	3 - 5 Business Days
Residential Warranty	Frame: 1 Year Sunbrella Fabrics: 5 Years O'bravia Fabrics: 4 Years
Fabric	View Fabric Options

9' Octagon Quick Ship Push Button Tilt Market Umbrella UM920QS by Treasure Garden

was
\$350.00 Special
Price
\$239.00

