

TUUCI | MAX CENTER POST NAUTICAL TEAK HARDWOOD EASY DRIVE CRANK



ASSEMBLY & OPERATING INSTRUCTIONS

TO PROTECT YOUR PRODUCT, PLEASE READ THE OPERATING INSTRUCTIONS BEFORE OPENING THE PARASOL

1005205

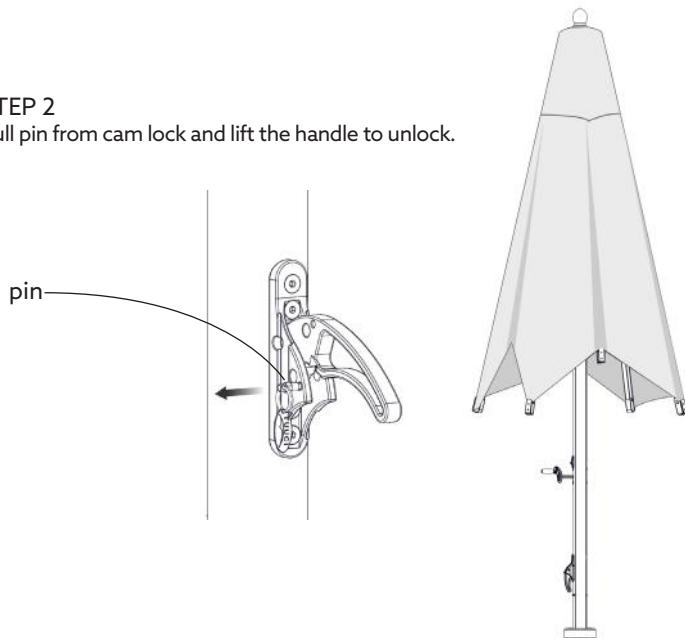
NAUTICAL TEAK HARDWOOD

STEP 1

Remove all packaging from in and around umbrella.

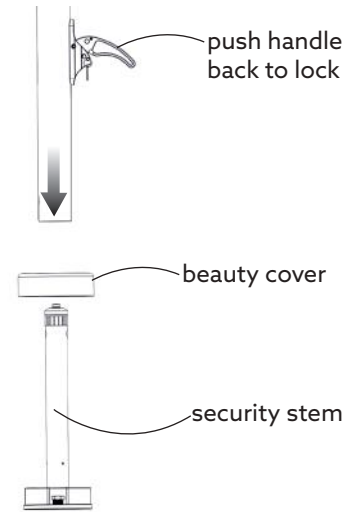
STEP 2

Pull pin from cam lock and lift the handle to unlock.



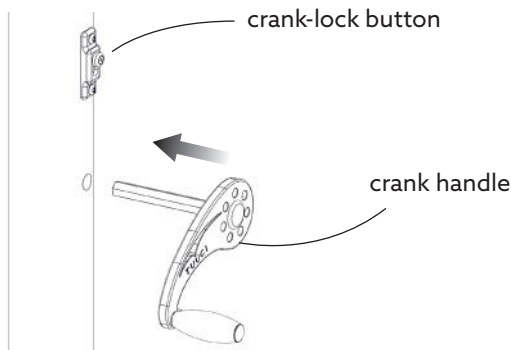
STEP 3

Once you have leveled the security stem using the base installation instructions, slide the post beauty cover and umbrella over the security stem (security stem is included with umbrella).



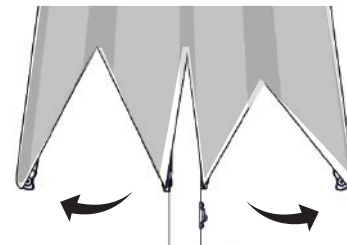
STEP 4

Insert crank handle and unlock crank-lock button by moving to up position.



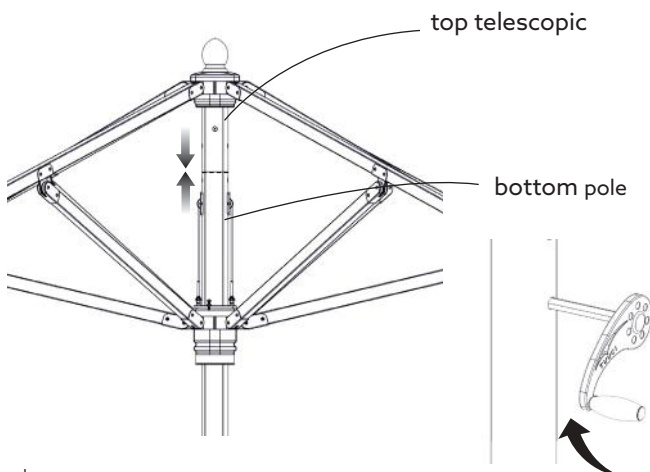
STEP 5

Gently separate each rib individually from the center hub approximately 10 inches. If the rib does not move easily, do not force. Inspect the product for additional packaging.



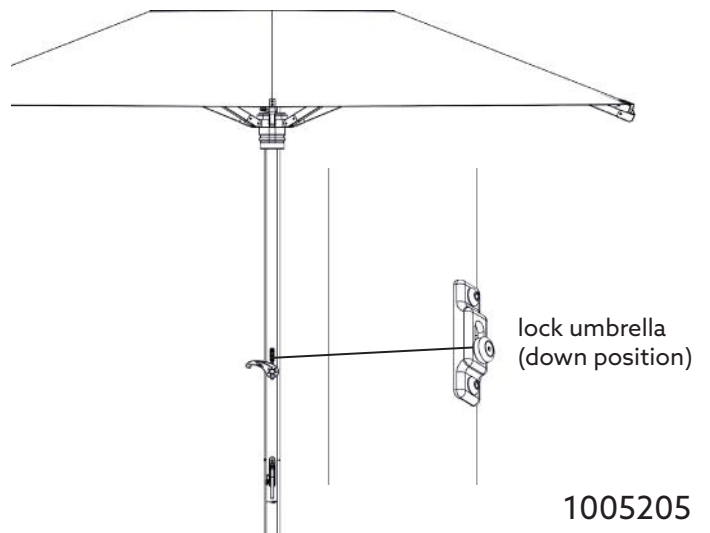
STEP 6

Open umbrella by turning crank handle clockwise until top telescopic head makes contact with bottom pole.



STEP 7

Crank lock must be in down position to lock opened umbrella.

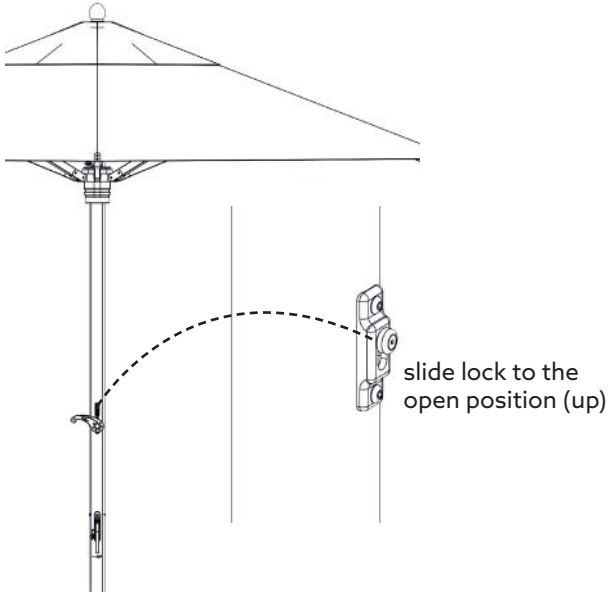


NAUTICAL TEAK HARDWOOD

CLOSING UMBRELLA

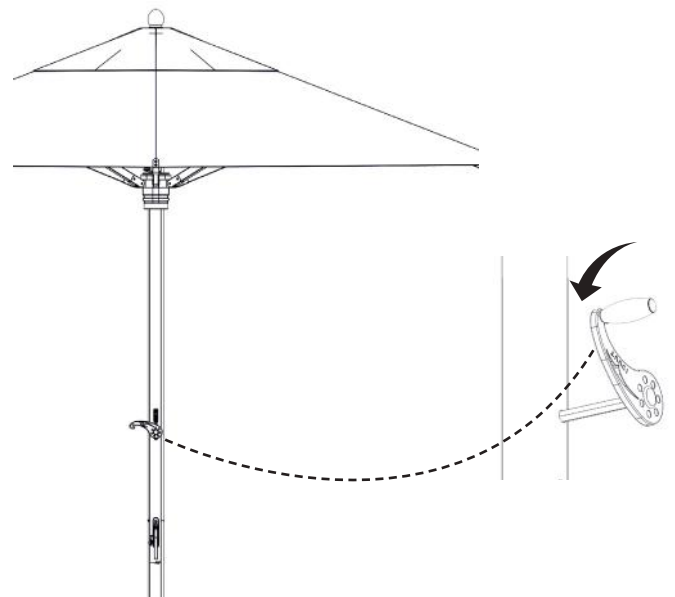
STEP 1

Crank lock must be in top position to unlock umbrella before closing.



STEP 2

Close umbrella by turning crank handle counter-clockwise



STEP 3

When not in use the canopy must be carefully folded and secured with the tie-strap.

Note:

close umbrella during wind conditions that exceed manufacturer's specifications

