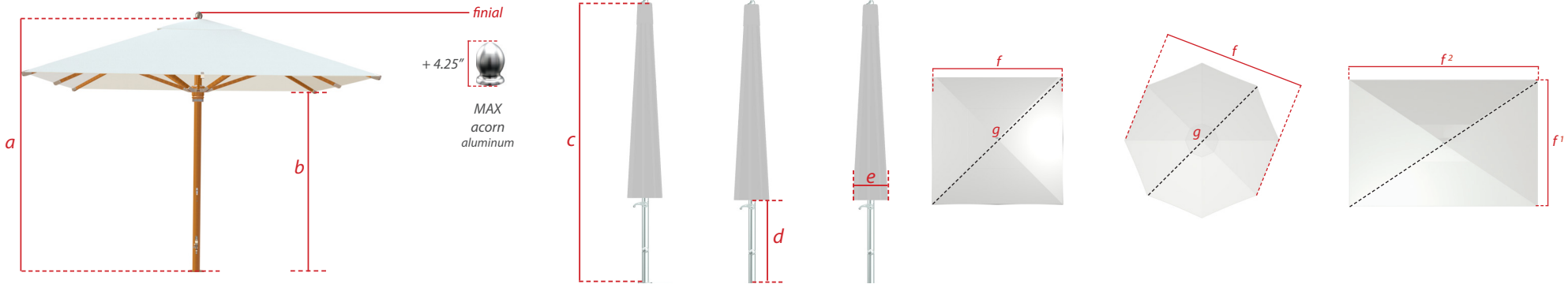




Nautical Teak Hardwood

"auto-loc-lift" marine pulley lift



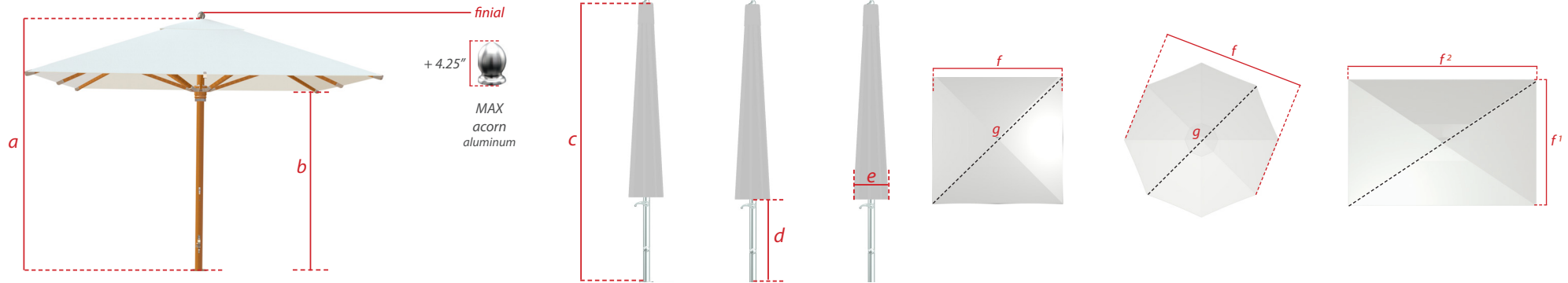
| | | | mast height (open position) | canopy clearance | mast height (closed position) | table clearance | closed parasol width | flat to flat (Open Umbrella) | point to point | canopy area coverage |
|---|-----------------|------------------|--------------------------------|---------------------|----------------------------------|--------------------|-------------------------|---------------------------------|----------------|-------------------------|
| | sizes [ft/m] | Pole Diameter | a (in/cm) | b (in/cm) | c (in/cm) | d (in/cm) | e (in/cm) | f (in/cm) | g (in/cm) | ft ² |
| <i>classic</i> | | | | | | | | | | |
| <i>square</i> | 6.5' / m | 2 3/8" | 101 / 257 | 83 / 211 | 101 / 257 | 44 / 112 | 15 / 38 | 79 / 201 | 112 / 284 | 43 |
|  | 8.0' / 2.45m | 2 3/8" | 101 / 257 | 83 / 211 | 101 / 257 | 31 / 79 | 15 / 38 | 98 / 249 | 139 / 353 | 67 |
| <i>octagon</i> | 9.0' / 2.75m | 2 3/8" | 101 / 257 | 83 / 211 | 101 / 257 | 44 / 112 | 18 / 46 | 103 / 262 | 111 / 282 | 58 |
|  | 11.5' / m | 2 3/8" | 101 / 257 | 79 / 201 | 101 / 257 | 31 / 79 | 18 / 46 | 125 / 318 | 136 / 345 | 91 |




Dimension Tolerances ± 2"
 Dimensions shown correspond to indicated lift system
 Options are subject to change without notice
 Some options are only available in certain sizes and shapes

2" security base stem height not included

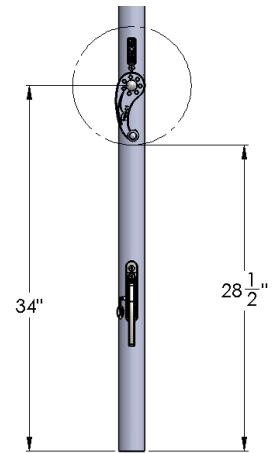
Nautical Teak Hardwood

“easy drive” crank



| | | | mast height (open position) | canopy clearance | mast height (closed position) | table clearance | closed parasol width | flat to flat (Open Umbrella) | point to point | canopy area coverage |
|--|-------------------------------|------------------|--------------------------------|---------------------|----------------------------------|--------------------|-------------------------|---------------------------------|----------------|-------------------------|
| <i>classic</i> | sizes [ft/m] | Pole Diameter | a (in/cm) | b (in/cm) | c (in/cm) | d (in/cm) | e (in/cm) | f (in/cm) | g (in/cm) | ft² |
| <i>square</i> | | | | | | | | | | |
|  | 10.0' / 3.0m | 3" | 110 / 279 | 90 / 229 | 137 / 348 | 47 / 119 | 15 / 38 | 120 / 305 | 170 / 432 | 100 |
| <i>octagon</i> | | | | | | | | | | |
|  | 13.0' / 4.0m | 3" | 110 / 279 | 87 / 221 | 131 / 333 | 46 / 117 | 18 / 46 | 156 / 396 | 169 / 429 | 139 |
| <i>rectangle</i> | | | | | | | | | | |
|  | 8.0' x 12.0' 2.45m x 3.65m | 3" | 110 / 279 | 88 / 224 | 132 / 335 | 47 / 119 | 15 / 38 | 96X139/ 244X353 | 169 / 429 | 93 |

crank handle clearance



Dimension Tolerances ± 2"
Dimensions shown correspond to indicated lift system
Options are subject to change without notice
Some options are only available in certain sizes and shapes

2" security base stem height not included