

TUUCI | MAX CENTER POST NAUTICAL TEAK HARDWOOD AUTO-LOC-LIFT



ASSEMBLY & OPERATING INSTRUCTIONS

TO PROTECT YOUR PRODUCT, PLEASE READ THE OPERATING INSTRUCTIONS BEFORE OPENING THE PARASOL

1005207

NAUTICAL TEAK HARDWOOD

STEP 1

Remove all packaging from the umbrella.

STEP 2

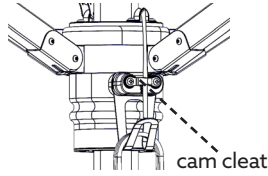
Insert umbrella post into base and secure with knob by turning clockwise to tighten.

STEP 3

Gently separate each rib individually from the center post approximately 10 inches. If the rib does not move easily, do not force. Inspect the product for additional packaging.

STEP 4

Gently pull cord downwards to open umbrella and secure rope with cam cleat to retain open position.

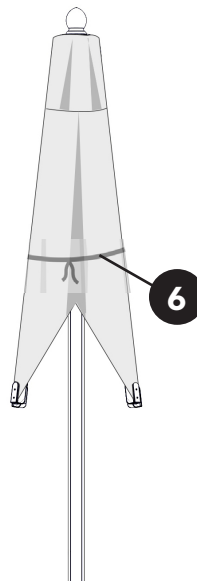
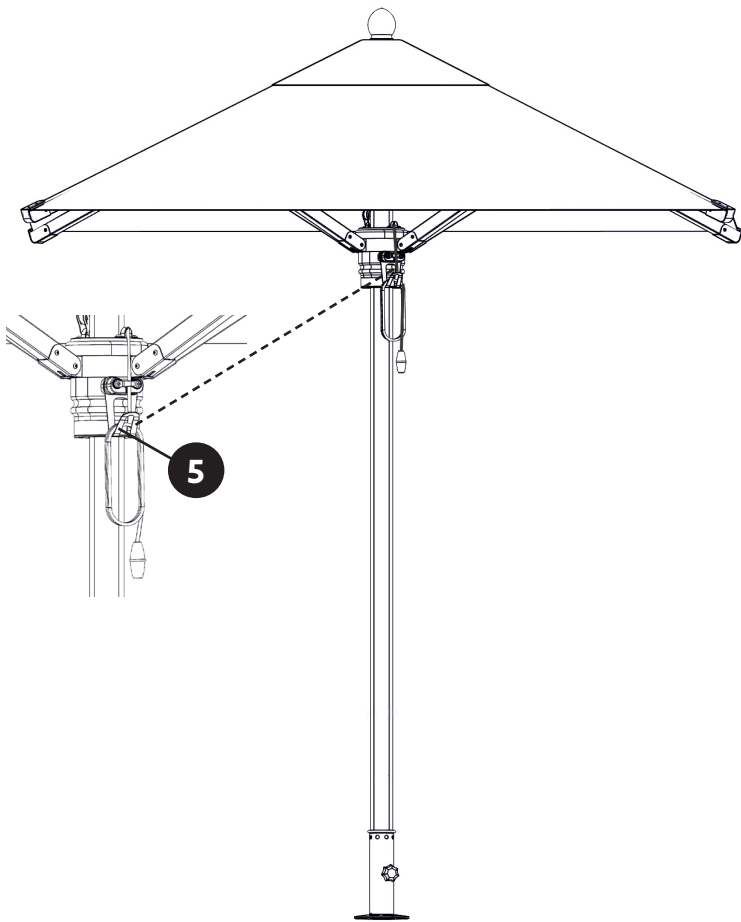
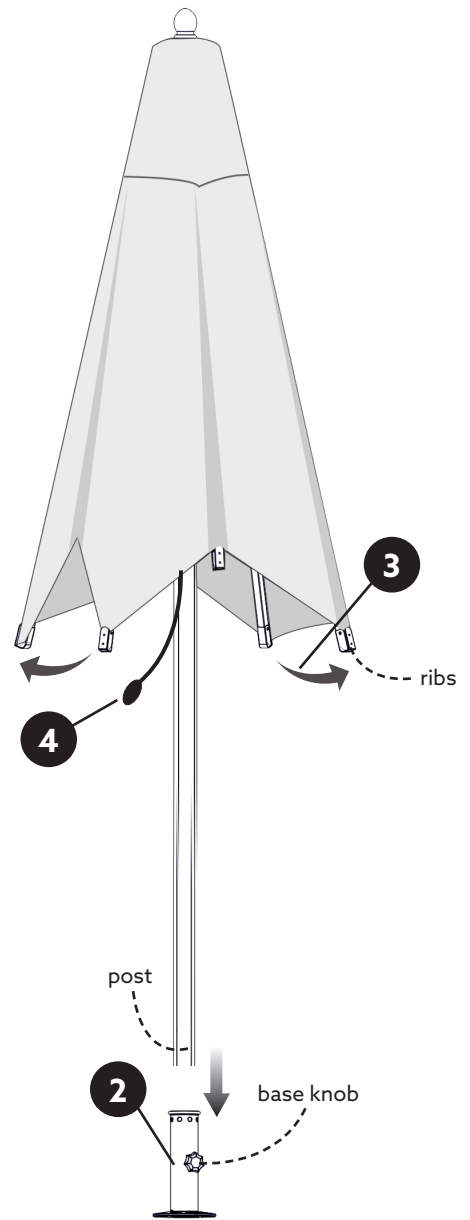


STEP 5

Hang excess rope on to the pulley hook.

STEP 6

When not in use the canopy must be carefully folded and secured with the tie-strap.



Note:
close umbrella during wind conditions that exceed manufacturer's specifications