

# TUUCI | MAX CENTER POST AMBIA LIGHT



assembly & operating instructions

to protect your product, please read the operating instructions before opening the parasol

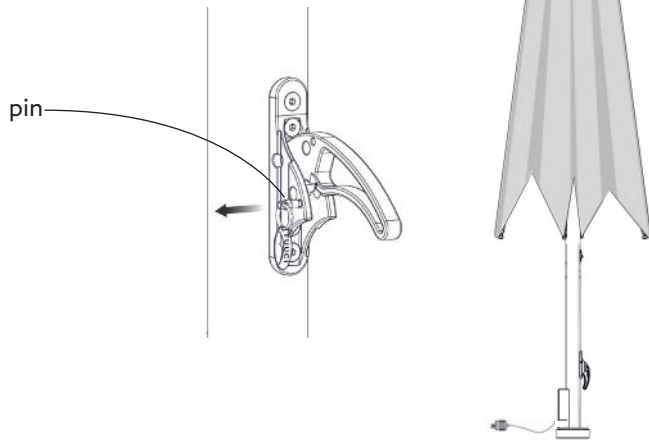
# AMBIA LIGHT MAX CENTER POST

## STEP 1

Remove all packaging from in and around umbrella.

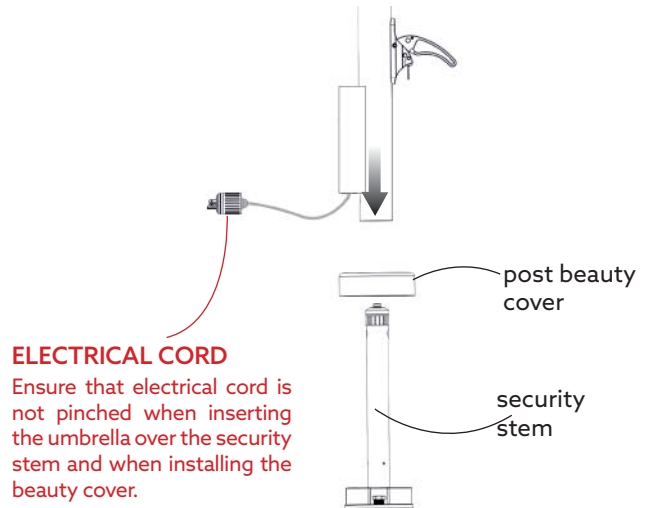
## STEP 2

Pull pin from cam lock and lift the handle to unlock.



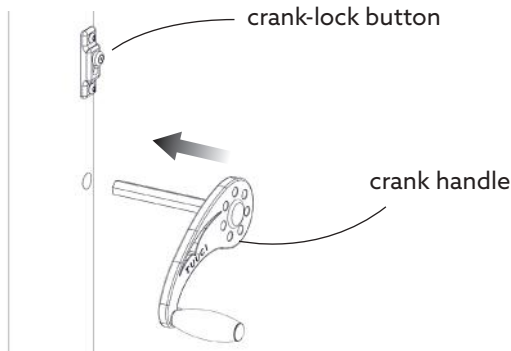
## STEP 3

Once you have leveled the security stem using the base installation instructions, slide the post beauty cover and umbrella over the security stem (security stem is included with umbrella).



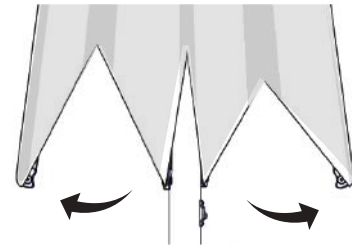
## STEP 4

Insert crank handle and unlock crank-lock button by moving to up position.



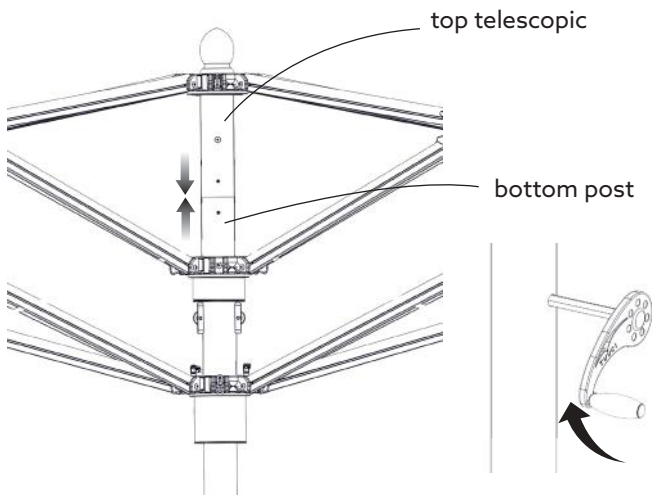
## STEP 5

Gently separate each rib individually from the center hub approximately 10 inches. If the rib does not move easily, do not force. Inspect the product for additional packaging.



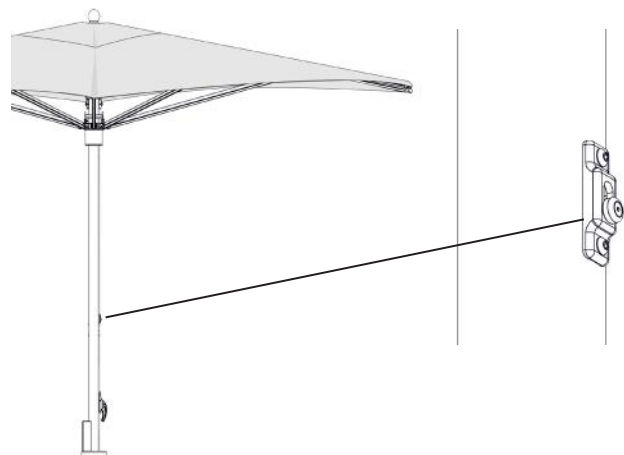
## STEP 6

Open umbrella by turning crank handle clockwise until top telescopic head makes contact with bottom post.



## STEP 7

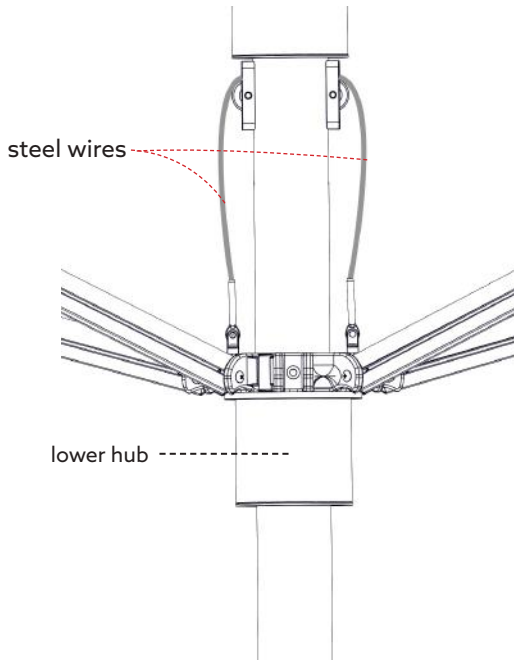
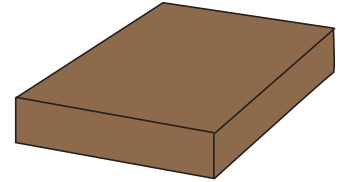
Crank lock must be in down position to lock opened umbrella.



# AMBIA LIGHT MAX CENTER POST

The ambia light kit is safely stored in a separate packaging box.

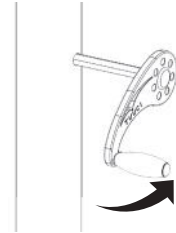
kit includes:  
ambia light  
2 screws  
allen key  
bottom light cover



## STEP 8

To install ambia light release tension from the steel wires by slightly cranking umbrella counter-clockwise.

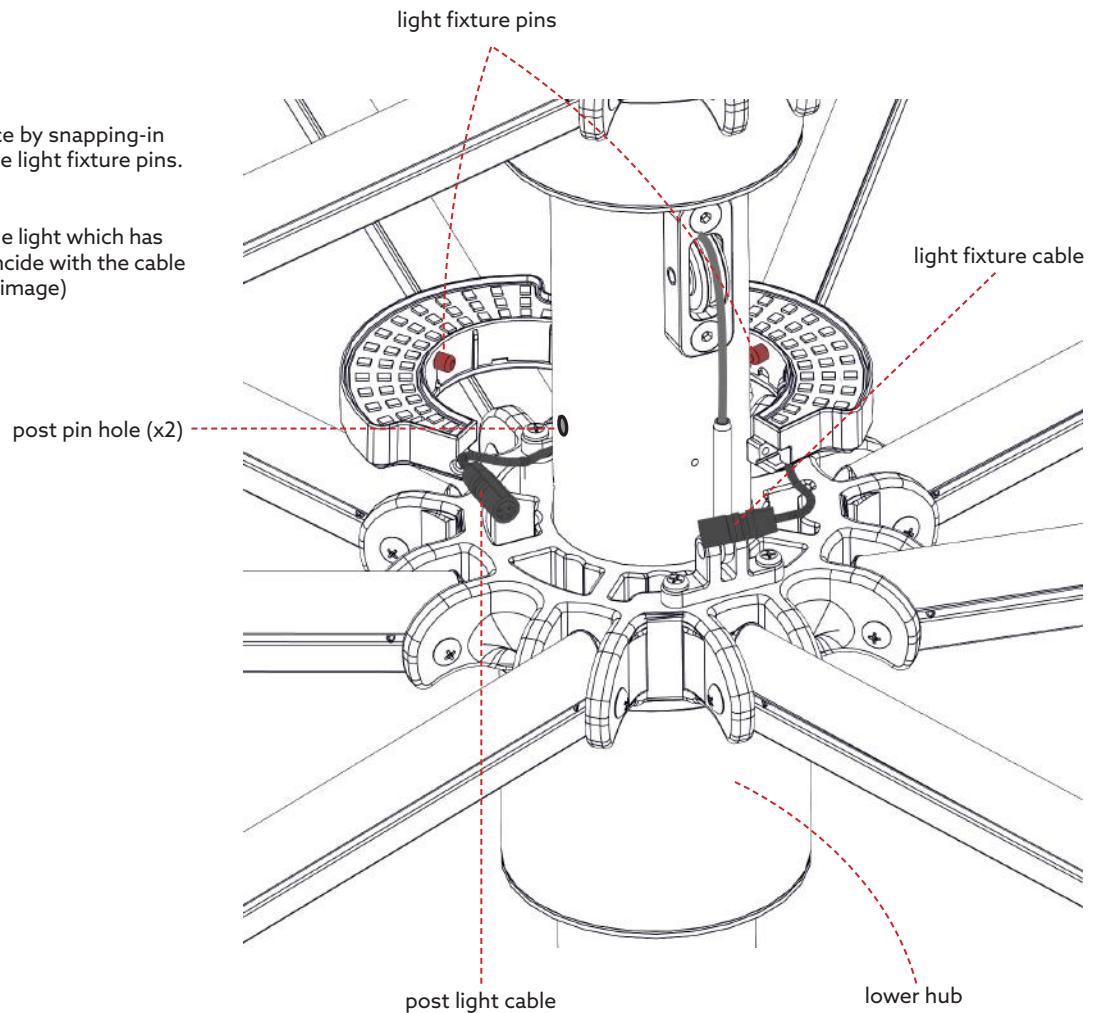
Slightly raise lower hub if more slack is needed when mounting ambia light.



## STEP 9

Position ambia light in place by snapping-in the 2 post pin holes and the light fixture pins. See image for details.

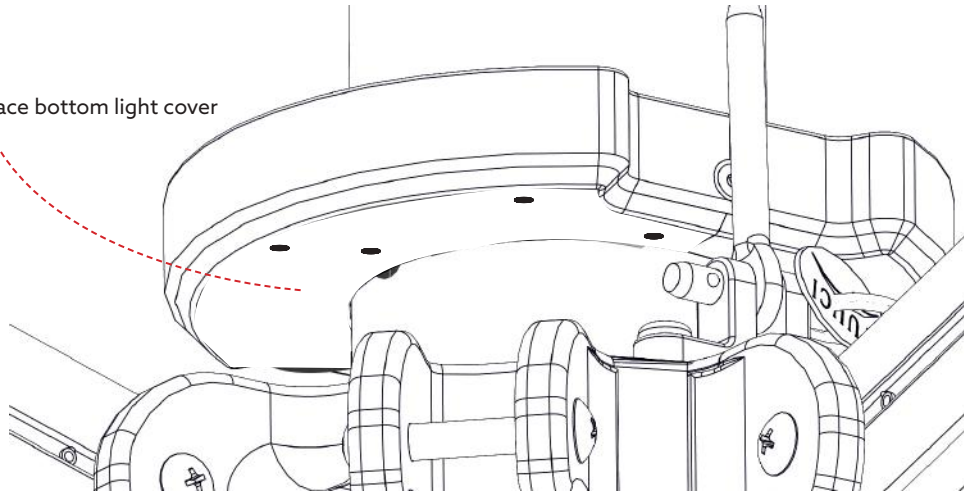
Note: The half portion of the light which has no bottom will need to coincide with the cable coming from the post (see image)





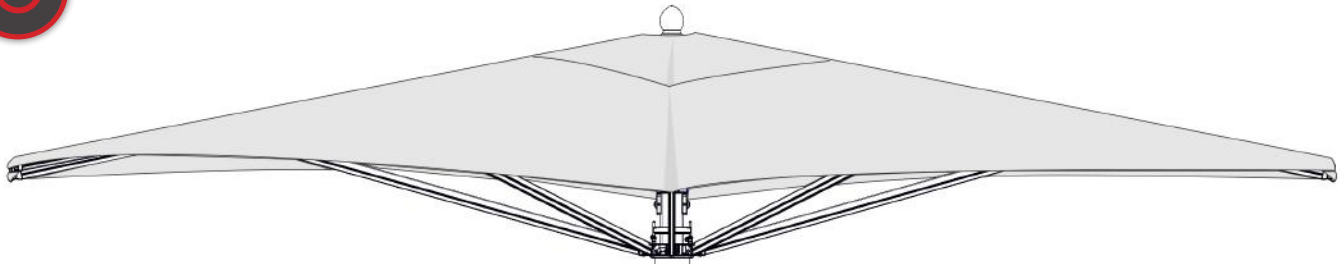
# AMBIA LIGHT MAX CENTER POST

**STEP 12**  
Install/snap-in place bottom light cover



**STEP 13**  
Connect the electrical cord to an outlet.

**STEP 14**  
Confirm the abmia light works by pressing the power button located on power supply cover

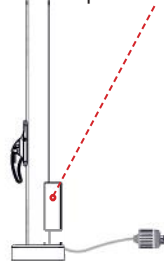


**STEP 15**  
When not in use the canopy must be carefully folded and secured with the tie-strap.

Note:  
close umbrella during wind conditions that exceed manufacturer's specifications



power button



Power Supply:	
Input Voltage	90 - 305VAC
Input Current	0.6A / 115VAC 0.3A / 230VAC
Output Voltage	12 VDC
Output Power	40 Watts