

# TUUCI | MAX CENTER POST LIGHT AND HEATERS



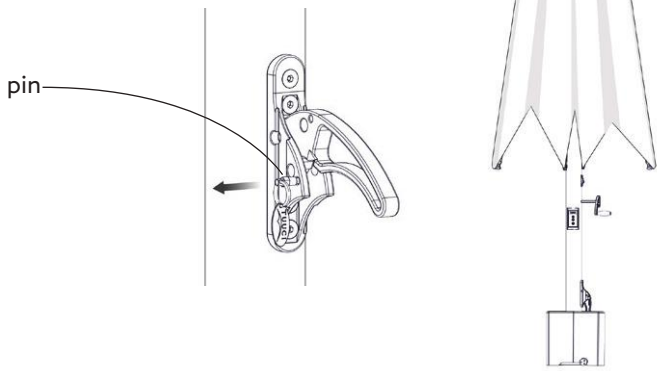
## ASSEMBLY & OPERATING INSTRUCTIONS

TO PROTECT YOUR PRODUCT, PLEASE READ THE OPERATING INSTRUCTIONS BEFORE OPENING THE PARASOL

# AMBIA LIGHT & HEATERS MAX CENTER POST

**STEP 1**  
Remove all packaging from umbrella.

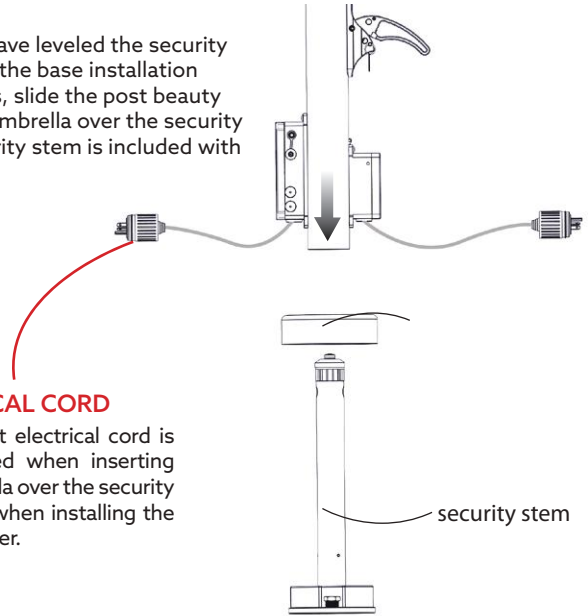
**STEP 2**  
Pull pin from cam lock and lift the handle to unlock.



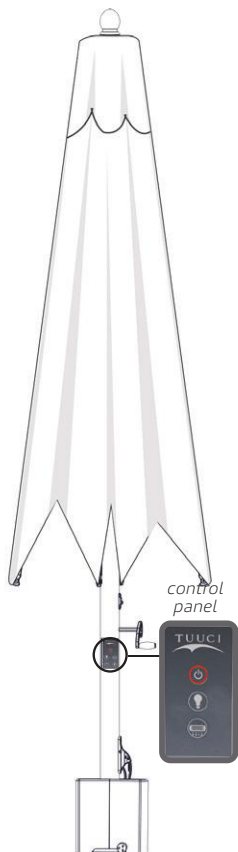
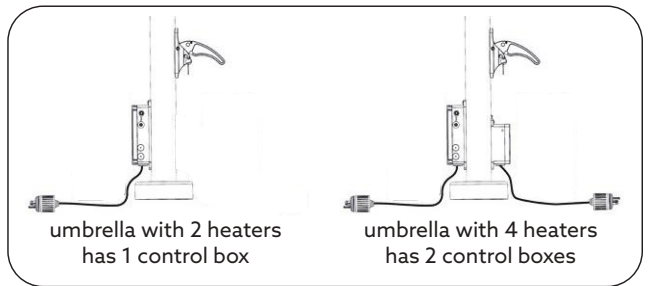
**STEP 3**  
Once you have leveled the security stem using the base installation instructions, slide the post beauty cover and umbrella over the security stem (security stem is included with umbrella).

**ELECTRICAL CORD**

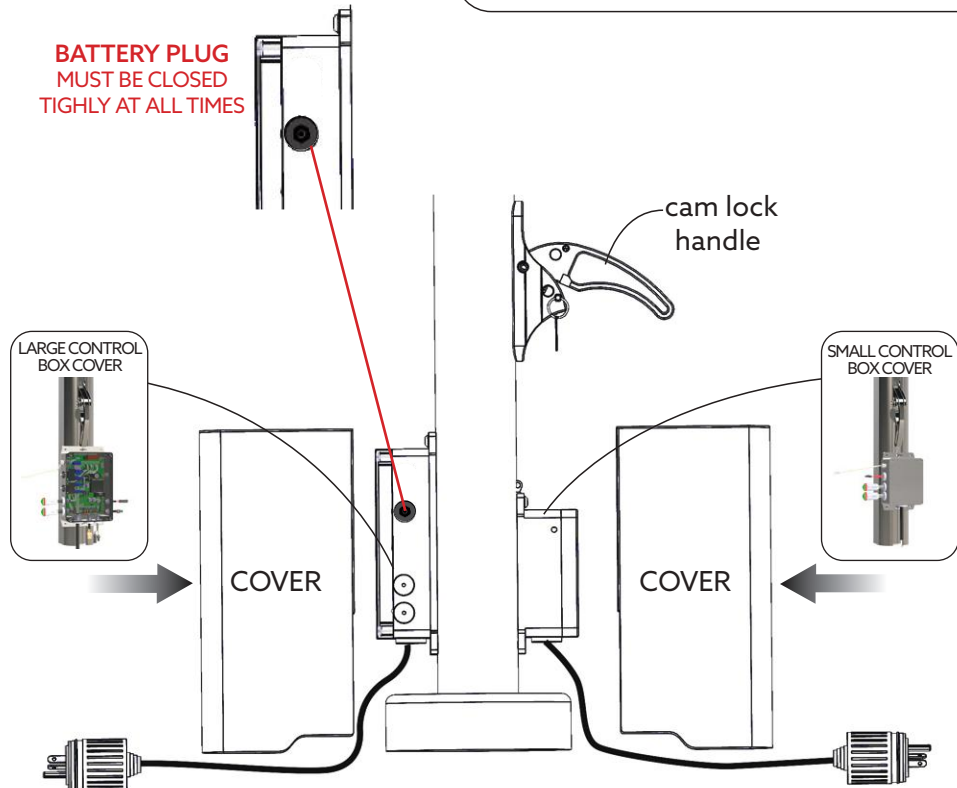
Ensure that electrical cord is not pinched when inserting the umbrella over the security stem and when installing the beauty cover.



**STEP 4**  
Mount (2) control box covers then push down cam lock handle in the down position. Labels inside the covers indicate placement of control boxes, see image below.



**BATTERY PLUG  
MUST BE CLOSED  
TIGHTLY AT ALL TIMES**



# AMBIA LIGHT & HEATERS MAX CENTER POST

## STEP 5

Plug in your umbrella into a 220V receptacle. When the umbrella is properly plugged into the power source the TUUCI logo on the user control panel will be back-lit in white.



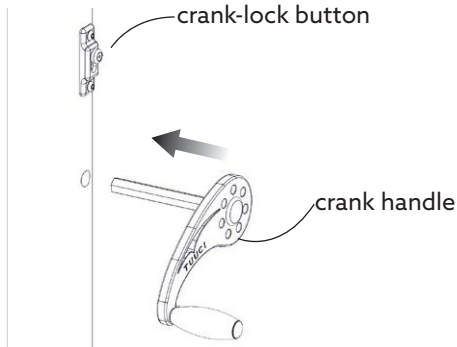
## STEP 6

Press the Power button to turn on the umbrella. The button will be back-lit in red when the power is ON.



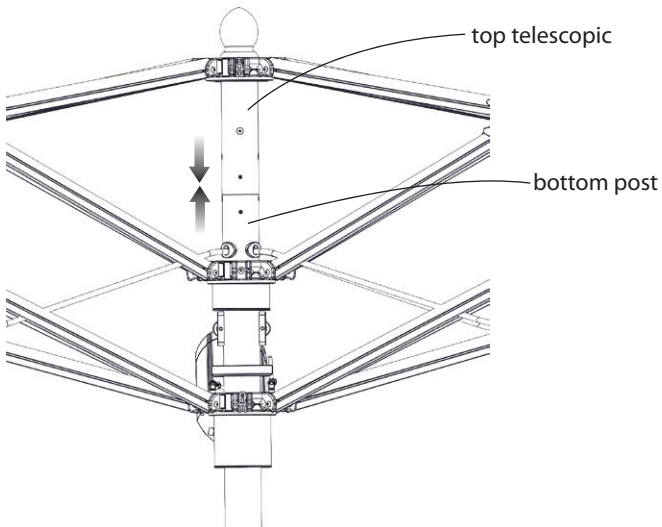
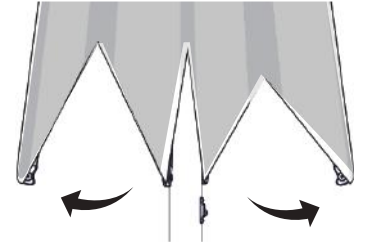
## STEP 7

Insert crank handle and unlock crank-lock button moving to up position.



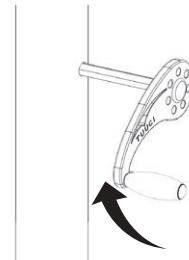
## STEP 8

Gently separate each rib individually from the center hub approximately 10 inches. If the rib does not move easily, do not force. Inspect the product for additional packaging.



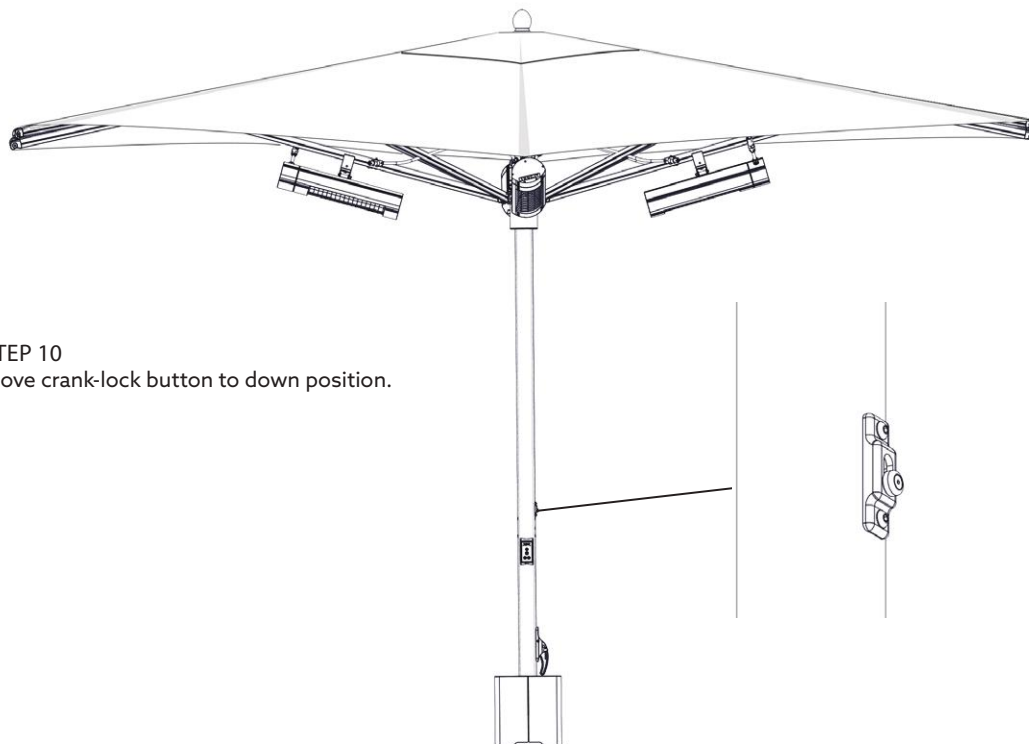
## STEP 9

Open umbrella by turning crank handle clockwise until top telescopic head makes contact with bottom post.



## STEP 10

Move crank-lock button to down position.

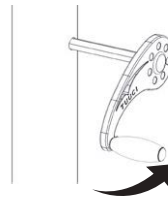
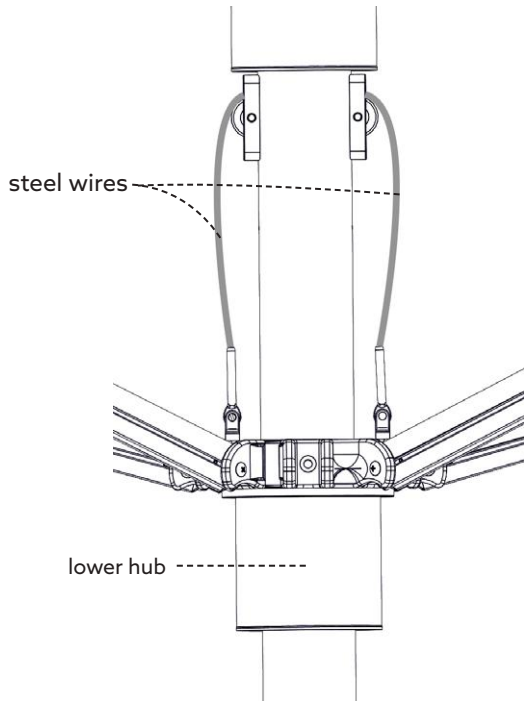


# AMBIA LIGHT & HEATERS MAX CENTER POST

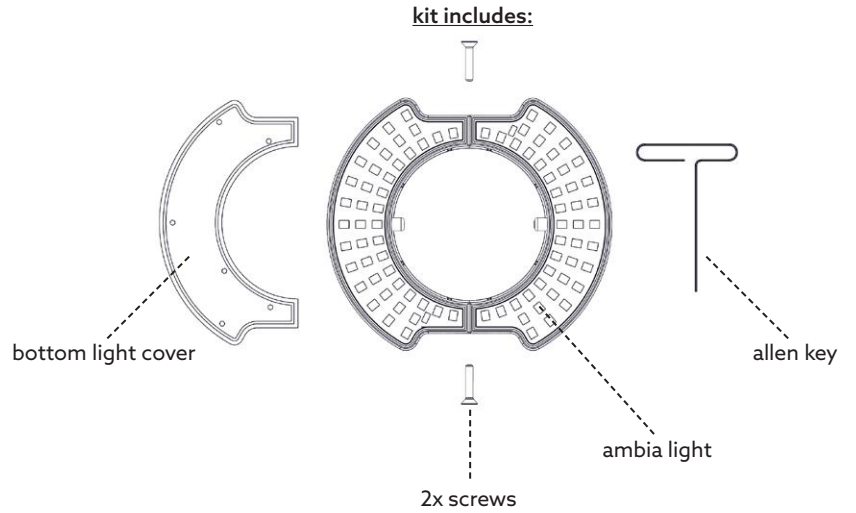
## STEP 11

To install ambia light release tension from the steel wires by slightly cranking umbrella counter-clockwise.

Slightly raise lower hub if more slack is needed when mounting ambia light.



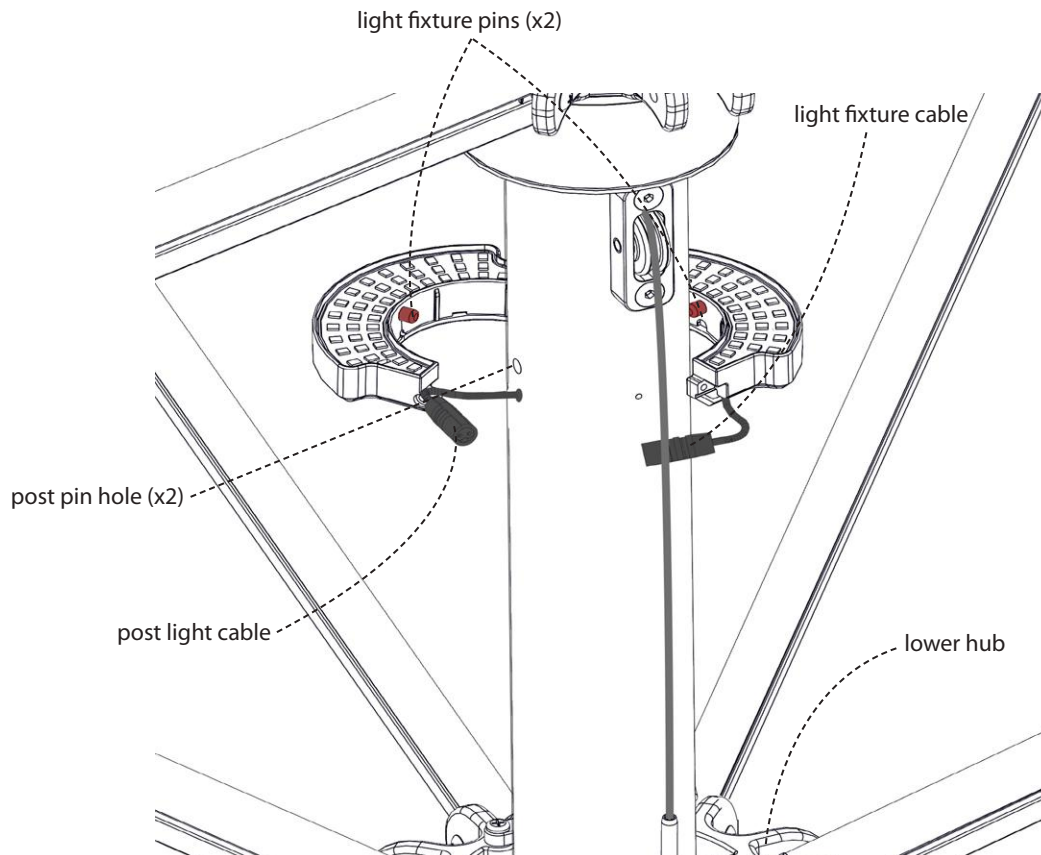
The ambia light kit is safely stored in a separate packaging box.



## STEP 12

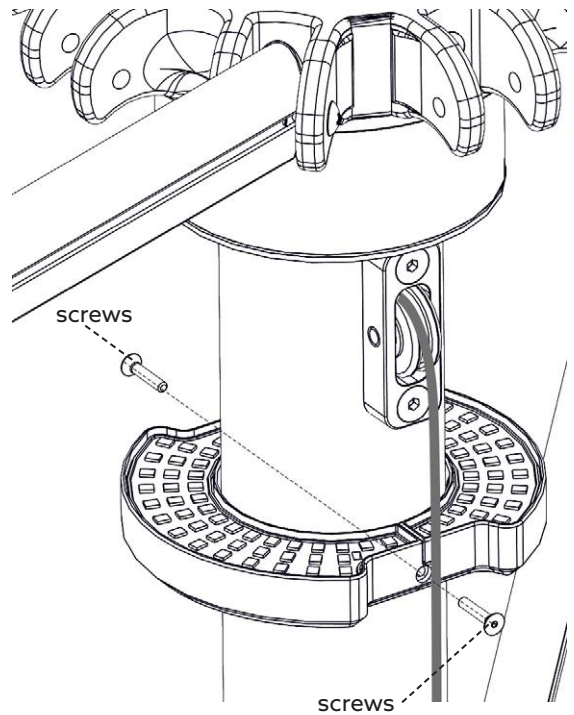
Position ambia light in place by snapping-in the 2 post pin holes and the light fixture pins. See image for details.

Note: The half section of the light with no bottom cover has to be placed on the same side of the pole where the light cable is visible.

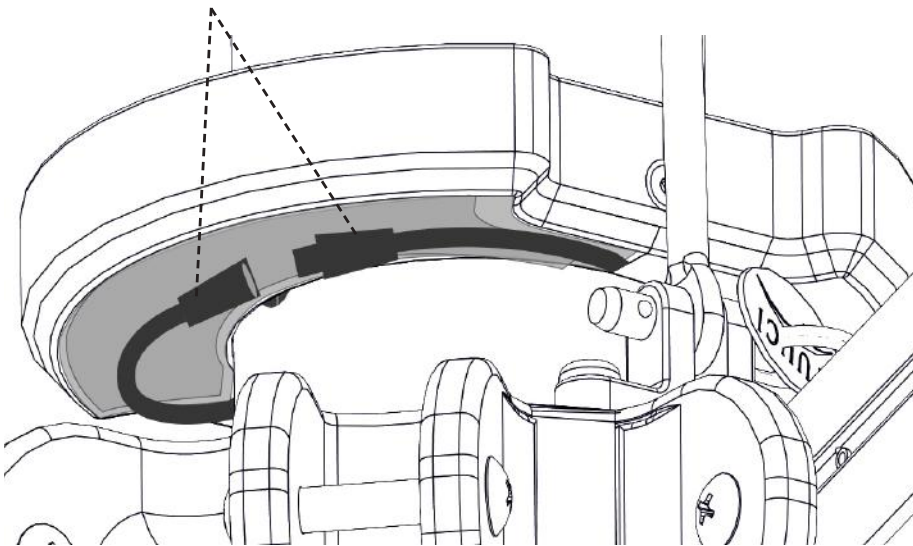


# AMBIA LIGHT & HEATERS MAX CENTER POST

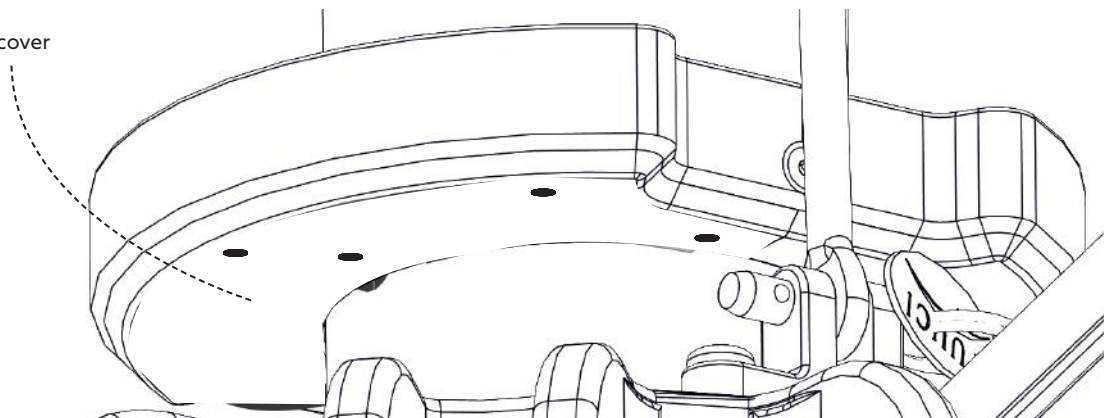
**STEP 13**  
Insert screws on both sides,  
do not tighten screws until both screws are in place.  
Once both screws are placed tighten with provided allen key.



**STEP 14**  
Connect light cables



**STEP 15**  
Install/snap-in place bottom light cover



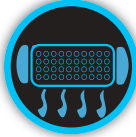
# AMBIA LIGHT & HEATERS MAX CENTER POST

## TURN ON LIGHT AND HEATERS



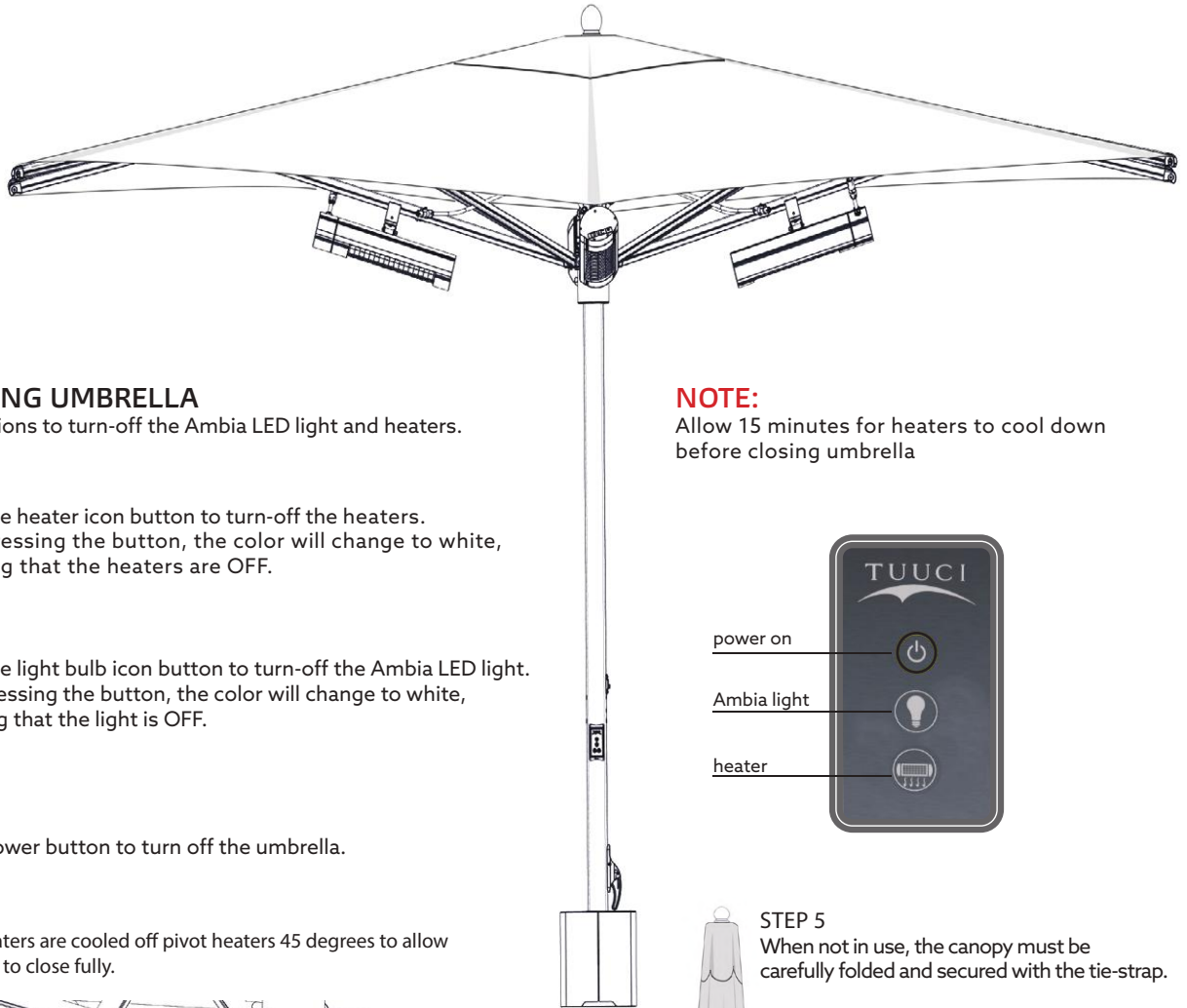
### TURNING THE AMBIA LED LIGHT ON

Press the light bulb icon button to turn-on the Ambia LED light. The color will change from white to blue after pressing the button, signaling that the light is ON.



### TURNING THE HEATERS ON

Press the heater icon button to turn-on the heaters. The color will change from white to blue, signaling that the heaters are ON.



## CLOSING UMBRELLA

Instructions to turn-off the Ambia LED light and heaters.

### NOTE:

Allow 15 minutes for heaters to cool down before closing umbrella



### STEP 1

Press the heater icon button to turn-off the heaters. After pressing the button, the color will change to white, signaling that the heaters are OFF.



### STEP 2

Press the light bulb icon button to turn-off the Ambia LED light. After pressing the button, the color will change to white, signaling that the light is OFF.

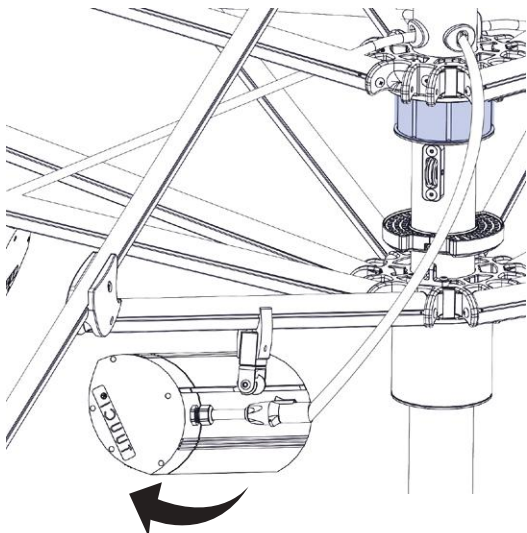


### STEP 3

Press power button to turn off the umbrella.

### STEP 4

Once heaters are cooled off pivot heaters 45 degrees to allow umbrella to close fully.



power on

Ambia light

heater

### STEP 5

When not in use, the canopy must be carefully folded and secured with the tie-strap.

Note: close umbrella during wind conditions that exceed manufacturer's specifications



# LIGHT AND HEATERS FEATURES AND FUNCTIONS



## Emergency shut-down or interrupt Feature

Press the Power button to shut-down or interrupt the operation of any function (Ambia LED light and heaters). The red light on the Power button will turn OFF. The white lights on the heater icon and the light icon will turn OFF. Press the Power button to turn the umbrella back ON.



## Control panel indicator when the Umbrella is not level (tipped or tilted on an angle)

The Power button will be flashing in yellow when the umbrella is not level. All functions (Ambia LED light and heaters) are inactive. The TUUCI logo is not back-lit. When the umbrella is level and no longer tipped or tilted, it will return to a powered down state with the TUUCI logo back-lit in white and all other functions OFF. Press the Power button to turn-on the umbrella. Then, turn-on the various functions.

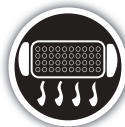


## Lock-out unauthorized users from turning-on or -off various features of the Umbrella

There is a lock-out feature to prevent unauthorized user access. To turn-on the lock-out feature, press and hold the Power button for 5 seconds. All functions (Ambia LED light and heaters) will maintain their original state of ON or OFF.

To turn-off the lock-out feature, press and hold the Power button for 5 seconds. All functions (Ambia LED light and heaters) will maintain their current state of ON or OFF. Users will have access again to turn ON-OFF the various functions.

If the Power button is pressed during a lock-out condition, activating the emergency shut-down or interrupt feature, the Ambia LED light and heaters will be turned-off. All icon button lights will be OFF, except for the TUUCI logo.



## Heater Automatic Turn Off Safety Feature

As a safety feature, the heaters on the Automated Umbrella will automatically turn off after 2 hours of operation. To turn the heaters back on, press the heater icon button.

## Lights and (4) Heaters Electrical Specs:

Power Supply:	
Main Input Voltage:	208-240VAC 50/60 Hz
Max. Amps:	13.7 A @220Volts AC 12.6 A @240Volts AC
Max. Watts:	3010 Watts

North America version:  
208-240V, 2 phases 60Hz (requires a minimum 15 Amp circuit)  
Umbrella comes with 10ft Power Cord & Plug  
(Use with 20A - 250 Volts, NEMA 6-20R Receptacle compatible with NEMA 6-20P Plugs)

Europe version:  
220-240V, 1 phase 50Hz (requires a minimum 16 Amp circuit)  
Umbrella comes with 10ft Power Cord & Plug  
(Use with 16A - 250 Volts, Schuko Receptacle compatible with Schuko 16A - 250 Volts Plug)

Customer must connect to a protected power source circuit with proper Current Rating "Amps", near the umbrella, using an above ground Junction box, according to their local electrical codes and regulations.

## warnings & safety instructions

1. Read and understand entire owner's manual before assembling or operating umbrella.
2. Read and understand the warnings posted on the umbrella and/or components installed on the umbrella.
3. Disconnect electrical power to umbrella during inclement weather.
4. There is a risk of fire if heaters contact flammable materials or liquids.
5. Keep children away from power cords on or around umbrella.
6. Disconnect power before removing or servicing umbrella.
7. Allow sufficient cooling of heaters before closing umbrella.
8. Do not use this umbrella for other than its intended use.
9. Replace warning labels if they become obscured or removed.
10. Make sure the umbrella is properly grounded if there are electrical devices installed such as heaters.
11. Provide for adequate space to open and close umbrella without obstructions.
12. Customer's electrical power source connections if any, are to be installed / connected by a certified electrician. check local codes for guidance.
13. When closing / opening umbrella keep hands and face clear of all pinch points, or protruding umbrella components.