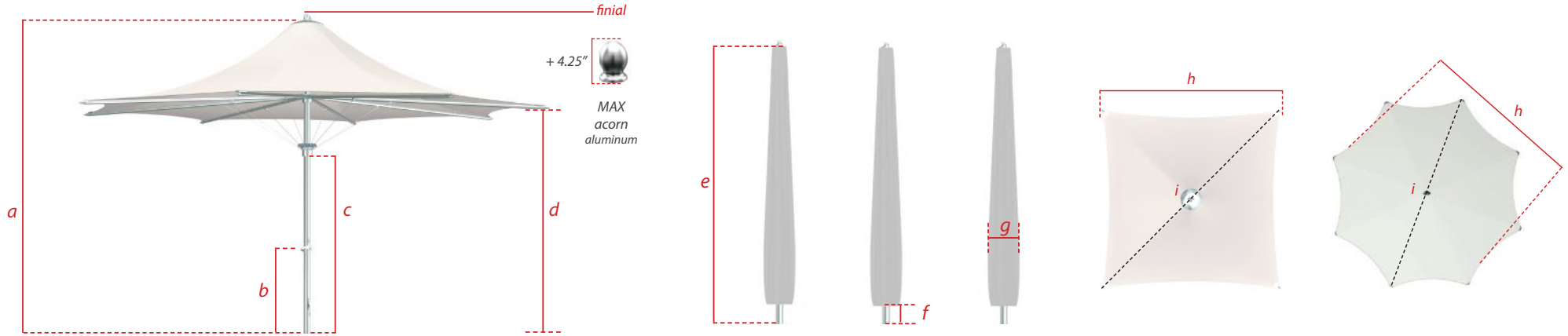
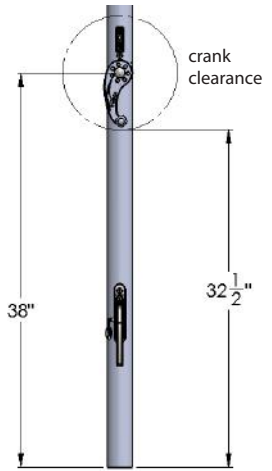


ocean master & plantation MAX F-1



	sizes [ft/m]	Pole Diameter	mast height (open position) a (in/cm)	crank clearance b (in/cm)	hub clearance c (in/cm)	canopy clearance d (in/cm)	mast height (closed position) e (in/cm)	table clearance f (in/cm)	closed parasol width g (in/cm)	flat to flat (Open Umbrella) h (in/cm)	point to point i (in/cm)	canopy area coverage ft ² / m ²
classic												
square	13.0' / 4.0m	2 7/8	156 / 396	32.5 / 83	85 / 216	101 / 257	126 / 320	7 / 18	14 / 36	155 / 394	218 / 554	167 / 15.5
octagon	18.0' / 5.5m	2 7/8	149 / 378	32.5 / 83	85 / 216	100 / 254	121 / 307	7 / 18	19 / 48	201 / 511	218 / 554	236 / 21.9



finish options:

ocean master classic

standard

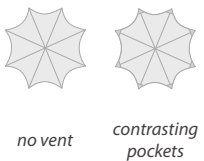
powder coat



plantation classic



vent and pocket options



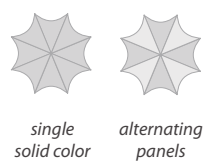
profile



canopy options



panel options



lifting system



finial



MAX acorn aluminum

mast finish



polished titanium

Dimension Tolerances ± 2"
Dimensions shown correspond to indicated lift system
Options are subject to change without notice
Some options are only available in certain sizes and shapes

2" security base stem height not included