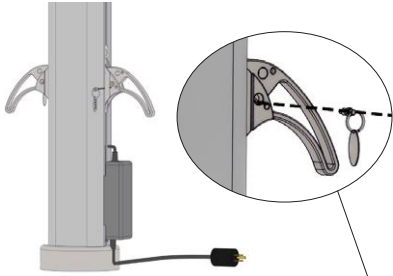


**step 1**

remove all packaging from in and around umbrella

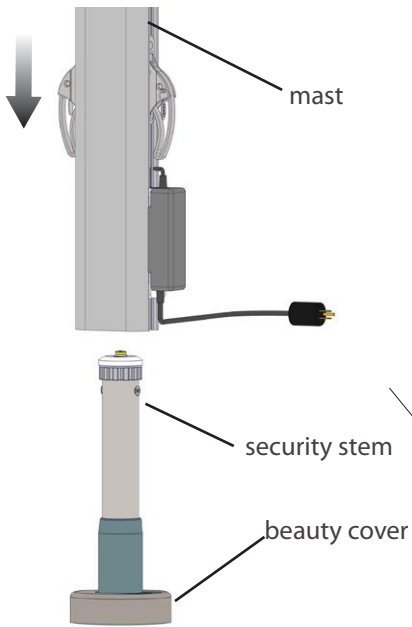
**step 2**

pull pin from cam lock and lift the handle to unlock umbrella



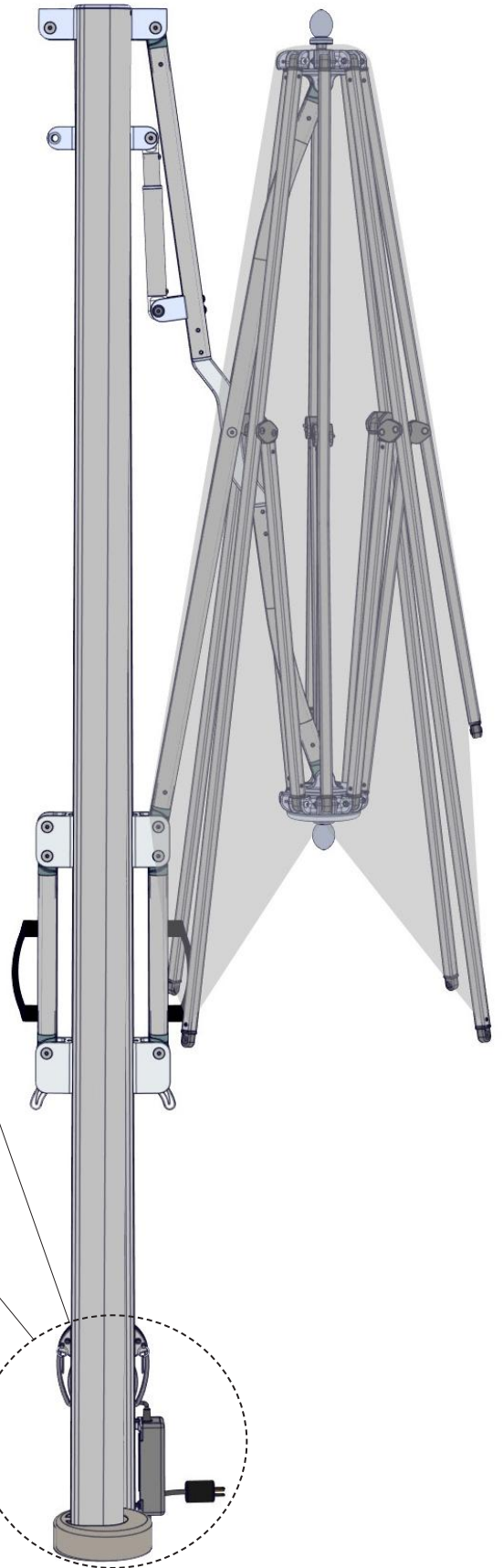
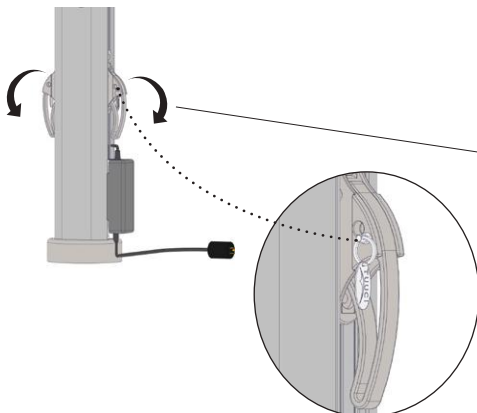
**step 3**

once you have installed and leveled the stem using the base installation instructions, slide the beauty cover and umbrella over the security stem (security stem is included with umbrella)



**step 4**

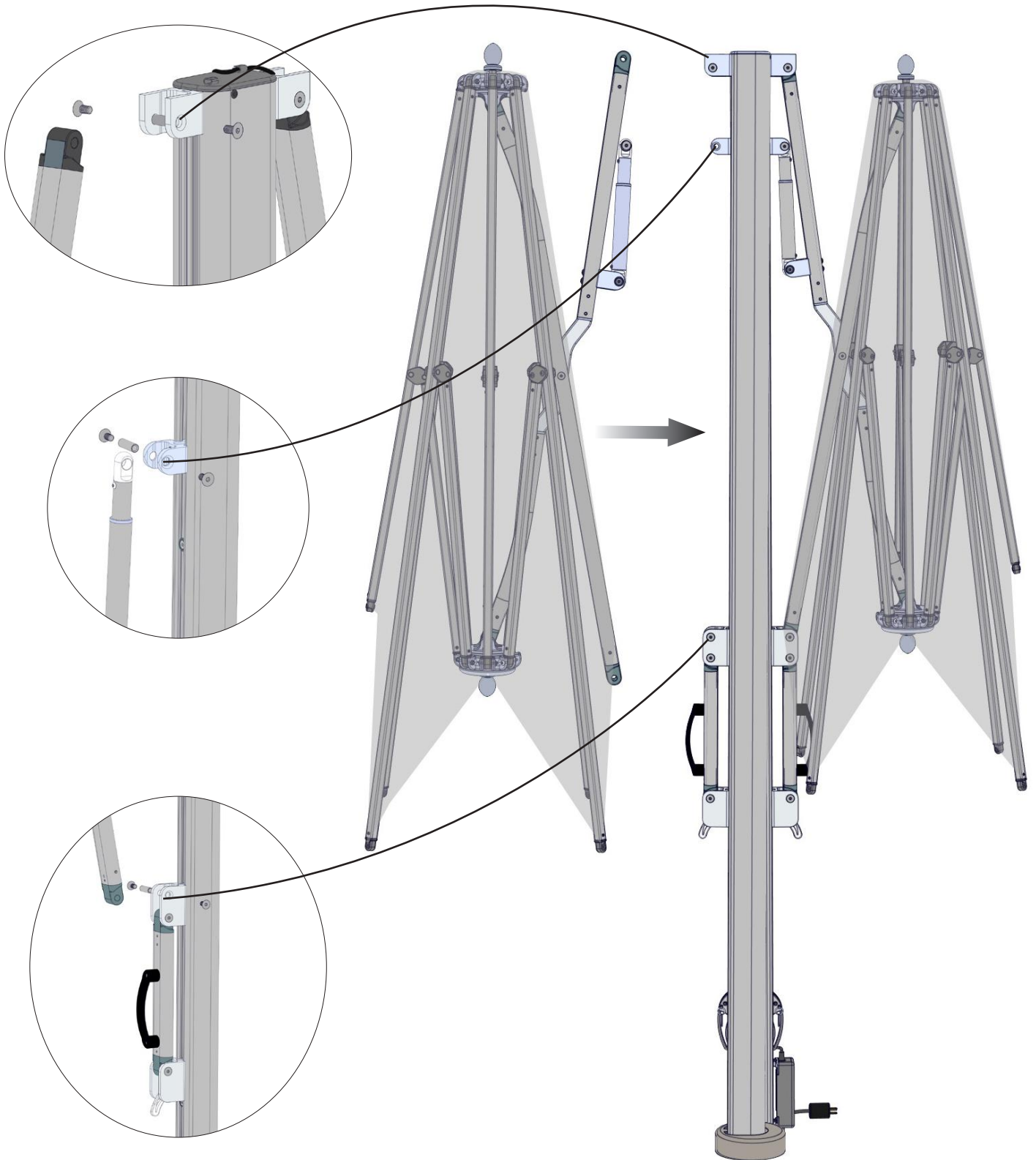
lock umbrella down by pushing the cam lock handle in the down position and lock with pin



**Step 5**

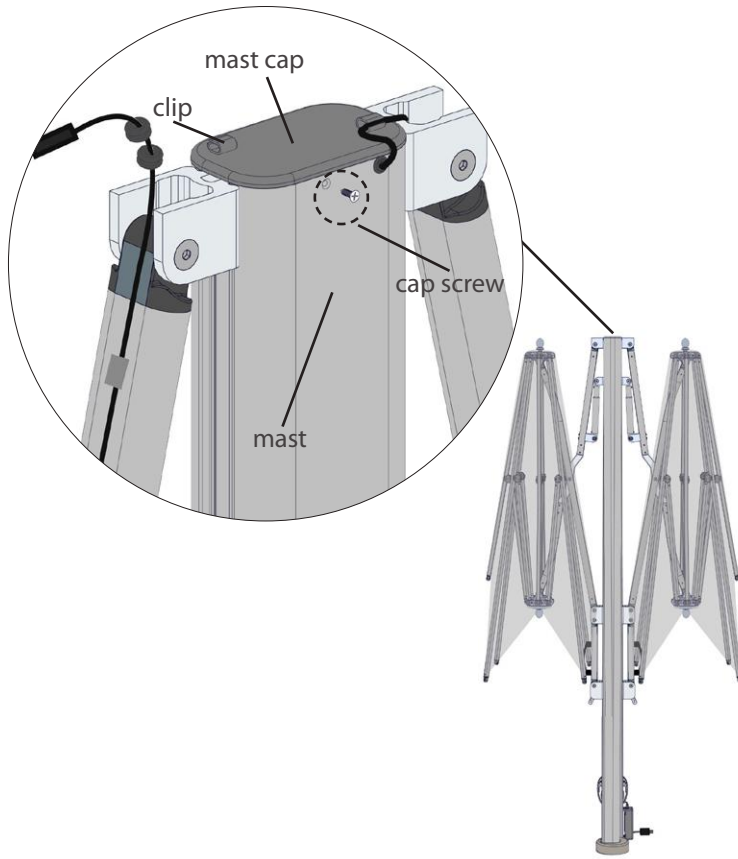
Install 2nd canopy frame by using 3/8 bushing and screws.

**Note: add a drop of provided loctite to the end of the screw threads.**



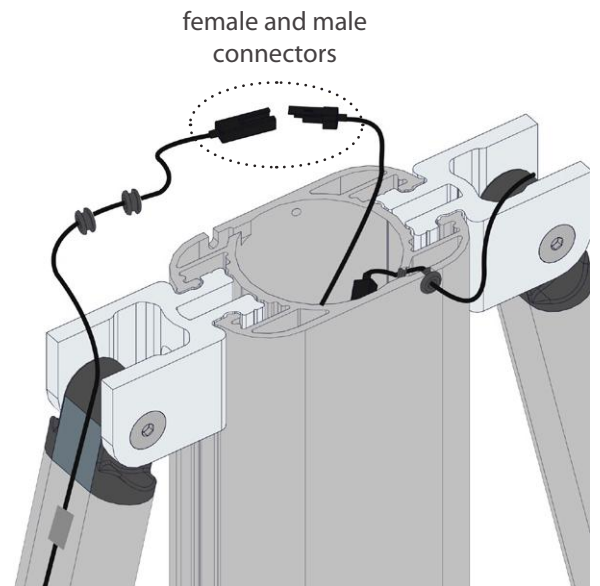
**Step 6**

Remove cap screw and mast cap and clip.



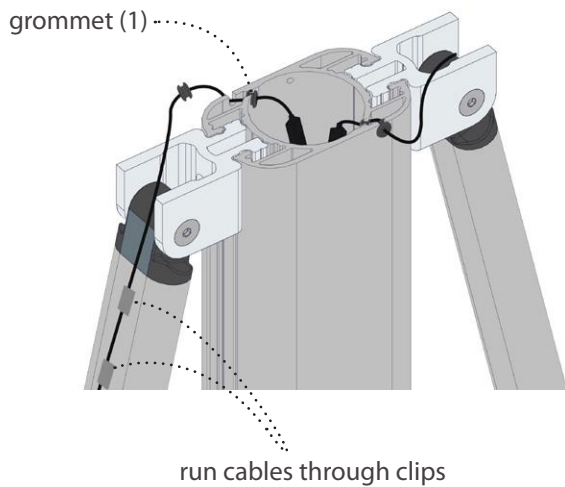
**Step 7**

Connect male and female light connectors.



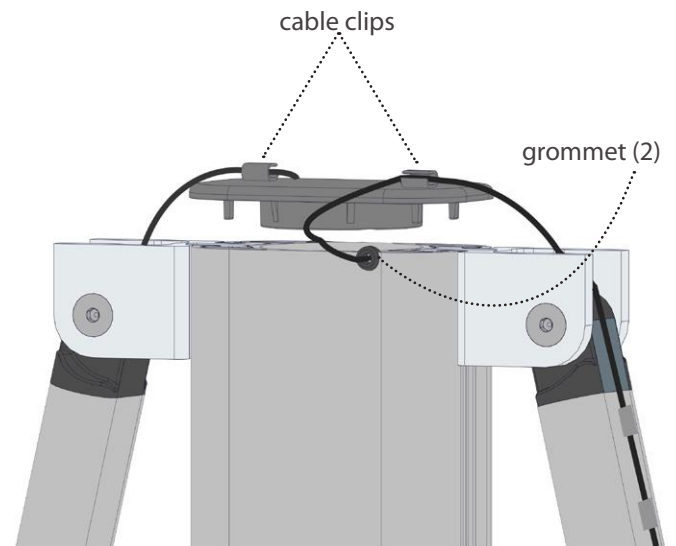
**Step 8**

Insert 1st grommet on inner mast groove by running cables through clips



**Step 9**

Insert 2nd grommet on outer mast groove and run cable through clips.



**Step 10**

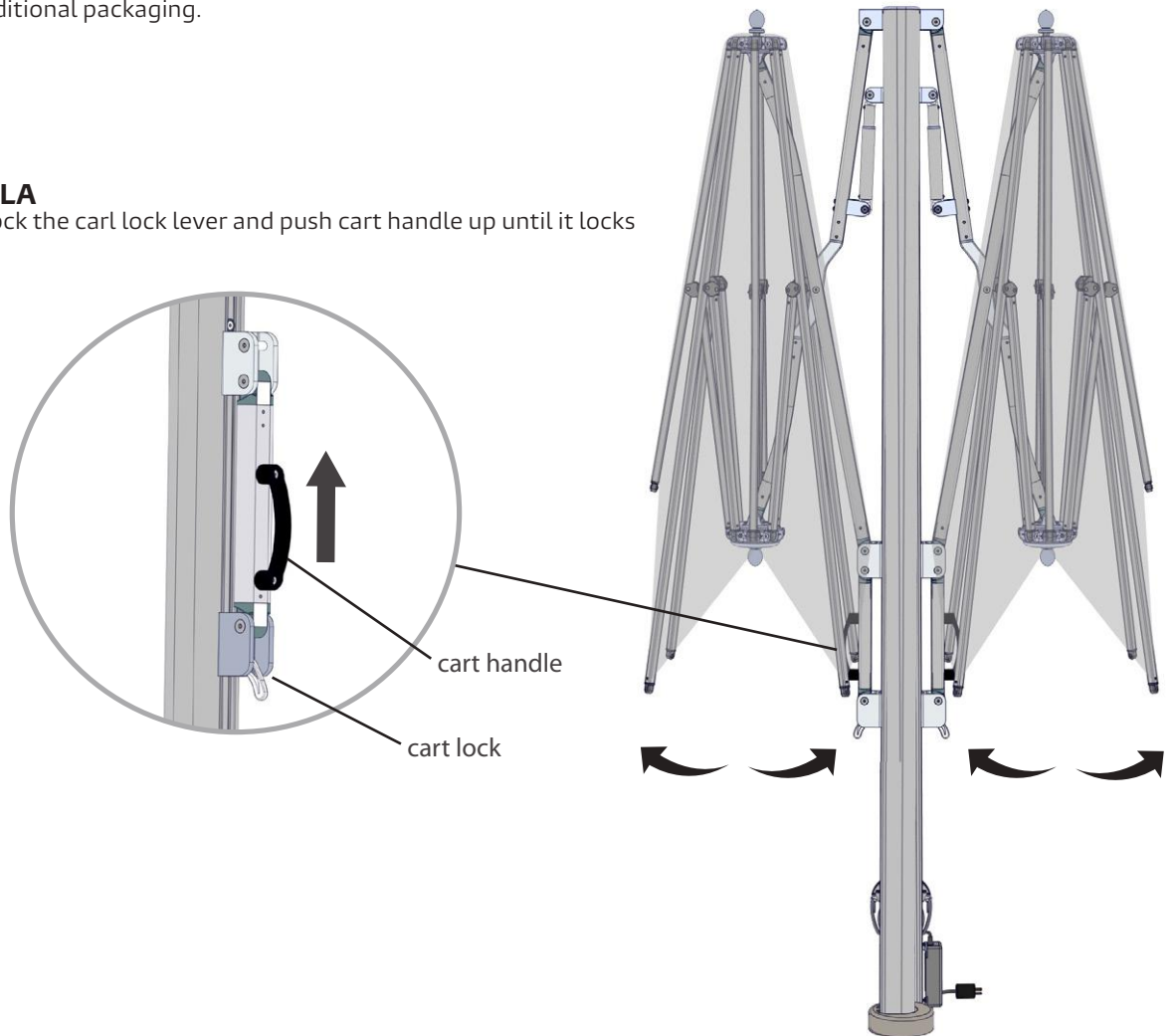
re-install cap and screws

**Step 11**

Gently separate each rib individually from center hub approx. 10 inches. If rib does not move easily do not force. Inspect product for additional packaging.

**TO OPEN UMBRELLA**

To open umbrella, unlock the cart lock lever and push cart handle up until it locks

**TO CLOSE UMBRELLA**

To close umbrella, unlock the cart lock lever (by pushing cart handle upwards and pushing cart lock lever in) then slide down the cart by pulling down the cart handle.



**OPERATING LIGHT SYSTEM**

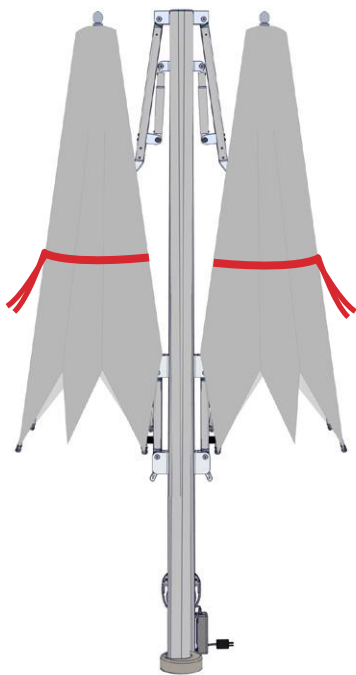
**Step 1**

Connect the electrical cord to the outlet.

**Step 2**

Tap plate above the finial once to power on-off, or touch and hold for light dimming control.

| Power Supply:  |                                |
|----------------|--------------------------------|
| Input Voltage  | 90 - 305VAC                    |
| Input Current  | 0.6A / 115VAC<br>0.3A / 230VAC |
| Output Voltage | 12 VDC                         |
| Output Power   | 40 Watts                       |



When not in use the canopy should be carefully folded and secured with the tie-strap.

**Note:**  
close umbrella during wind conditions that exceed manufacturer's specifications.