

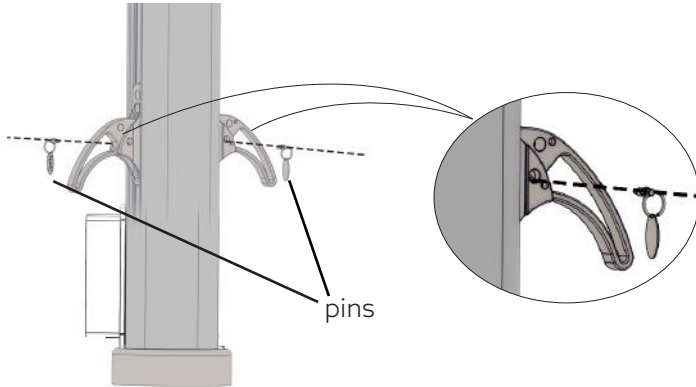
# MAX DUAL CANTILEVER LIGHTS AND AUTOMATION

## Step 1

Remove all packaging from in and around umbrella.

## Step 2

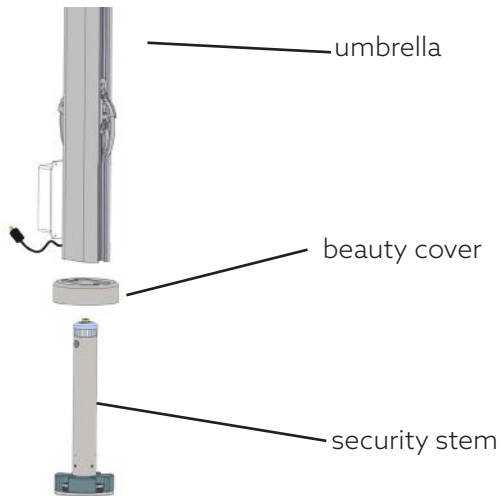
Pull pin from cam lock and lift the handle to unlock umbrella.



## Step 3

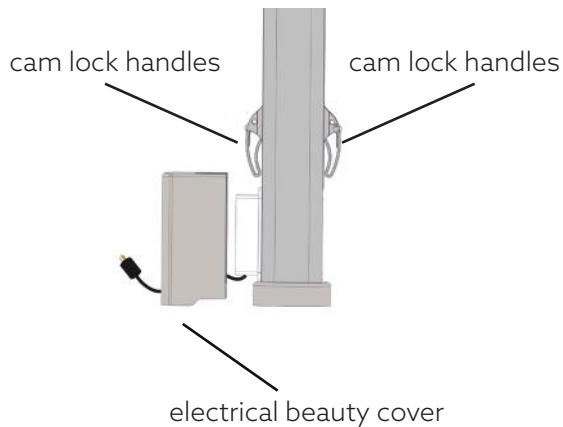
Once you have leveled the stem using the base installation instructions, slide the beauty cover and umbrella over the security stem (security stem is included with umbrella).

**Note: Ensure that cables are not pinched when inserting the umbrella over the security stem and when installing the beauty cover.**



## Step 4

Lock umbrella down by pushing the cam lock handles in the down position and lock with pins. Mount beauty covers over control boxes.



# LIGHTS AND AUTOMATION

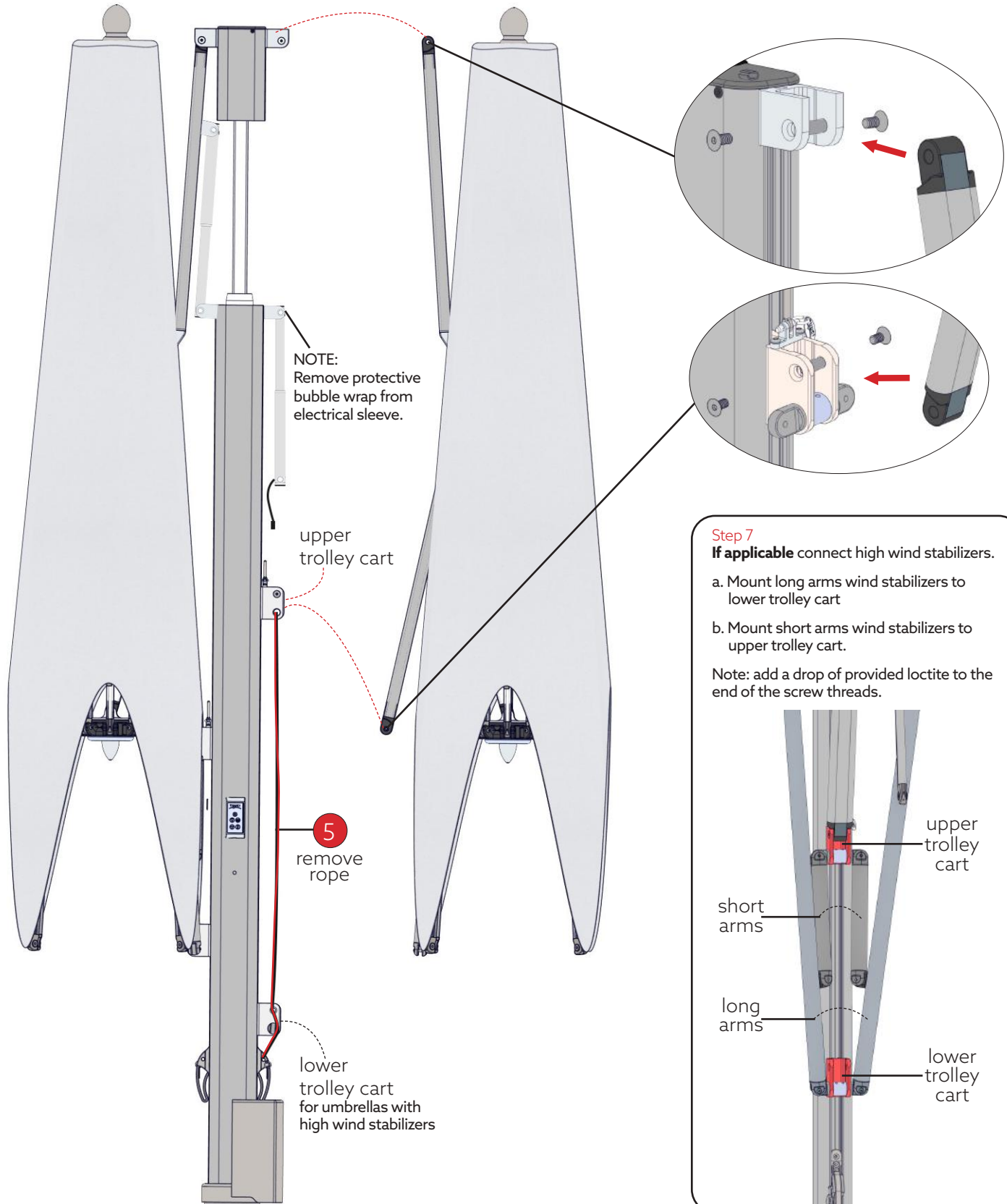
## Mounting Dual Canopy Frame

### Step 5

For shipping purpose trolley carts are tighten with elastic rope. Remove protective bubble wrap and elastic rope.

### Step 6

Install 2nd canopy frame by using the 3/8" bushings and screws. Note: add a drop of provided loctite to the end of the screw threads.



# LIGHTS AND AUTOMATION

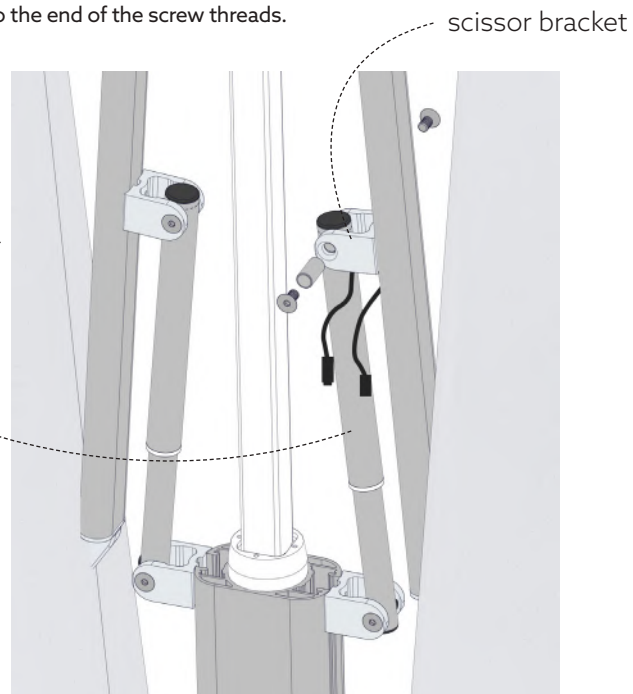
## Electrical Sleeve Connection



### Step 8

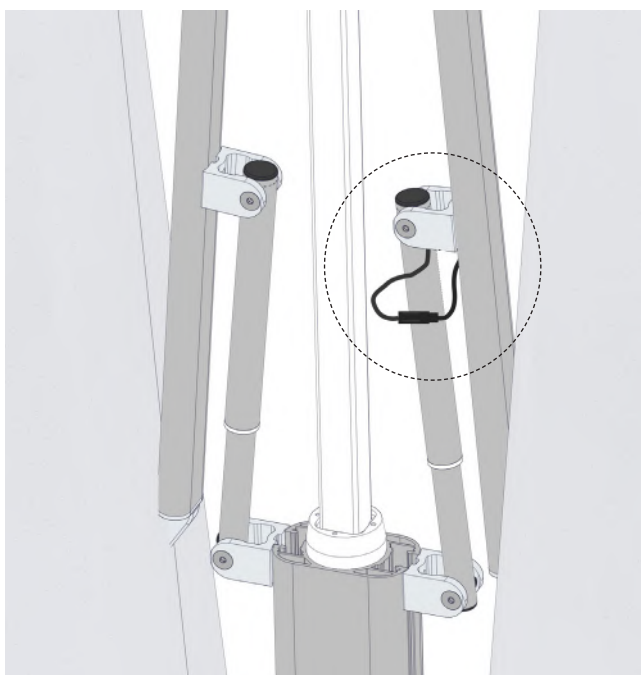
Mount electrical sleeve to scissor bracket with 3/8" bushing and 3/8"-16 flat head screw.

Note: add a drop of provided loctite to the end of the screw threads.



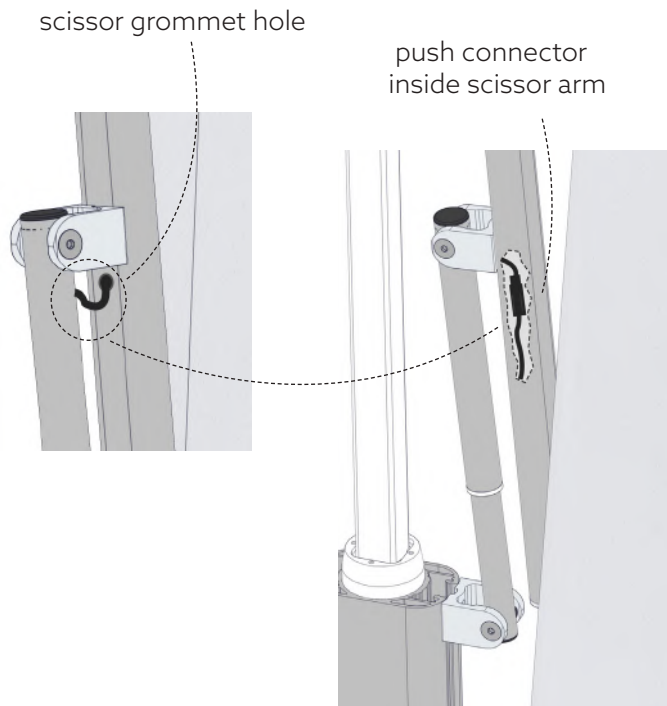
### Step 9

Connect cable from electrical sleeve to scissor cable.



### Step 10

Push in cable and connector through scissor grommet hole.



# LIGHTS AND AUTOMATION



## Step 11

Plug in your Automated Umbrella into a 110V receptacle. The TUUCI logo on the user control panel will be backlit in white, when the umbrella is properly plugged into the power source.



## Step 12

Press the Power button to turn on the umbrella. The button will be backlit in red when the power is ON. In addition, when the umbrella is ON, the open umbrella icon, the closed umbrella icon and the light icon will be backlit in white.

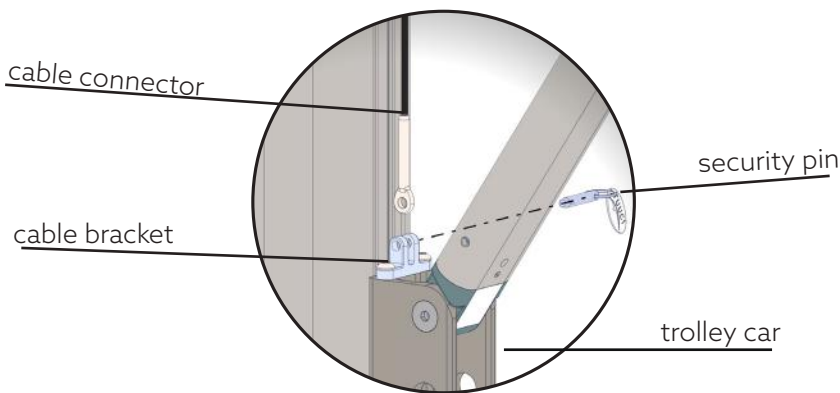


## Step 13

Press the close umbrella button to move both umbrella canopies to connect the eye of the cable connector with scissor's cart.

### Please follow the steps below:

- While the umbrella is closing keep firm tension on the cable connector.
- Pull the security pin from the trolley car bracket.
- Pull the cable connector so it aligns with the trolley car bracket.
- Fasten the cable connector to the trolley bracket with the security pin.



## Step 14

For each canopy gently separate each rib individually from the center hub approximately 10 inches. If the rib does not move easily, do not force, inspect the product for additional packaging.



## CAUTION

Ensure that your umbrella is level (not tipped or tilted). For safety reasons, If the umbrella is tipped, you will not be able to open or close the umbrella and/or turn-on the Ambia LED lights.

Ensure that there is nothing blocking the canopies of the umbrella from being fully opened. For safety purposes, the motor has a built-in stop feature if the canopy bumps into an object, when opening or closing.

# LIGHT AND AUTOMATION

## OPENING THE UMBRELLA CANOPIES



### Opening umbrella canopies

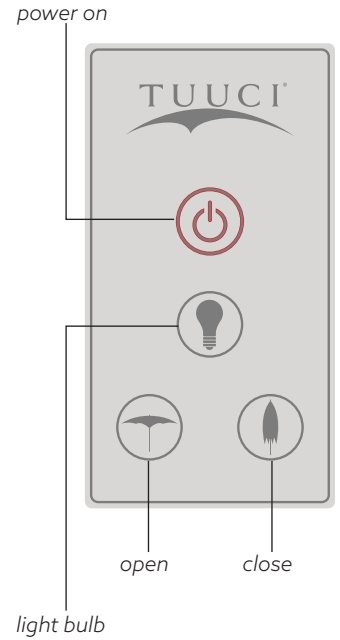
Press the open umbrella icon button to open both umbrella canopies. The color will change from white to blue after pressing the button and during the opening of the umbrella canopies.

When both canopies are fully opened, the button color will change to white. The umbrella must be fully opened for 5 seconds before the Ambia LED lights can be turned on.



### Turning the Ambia LED light on

Press the light bulb icon button to turn-on both Ambia LED lights under each canopy. The color will change from white to blue after pressing the button, signaling that the lights are ON.



## CLOSING UMBRELLA

Instructions to close the Automated Umbrella and turn-off the Ambia LED lights.



### Step 1

Press the light bulb icon button to turn-off both Ambia LED lights. After pressing the button, the color will change to white, signaling that the lights are OFF.



### Step 2

Press the close umbrella icon button to close both umbrella canopies. After pressing the button, the color will change from white to blue, signaling that the umbrella canopies will be closing.

When the umbrella canopies are fully closed, the close umbrella icon color will change to white.



### Step 3

Press the power button to turn off the umbrella.

### Step 4

Close the umbrella with tie-back when not in use.

close umbrella during consistent wind conditions that exceed 25mph.

# LIGHTS AND AUTOMATION - features and functions



Emergency shut-down or interrupt feature on the Automated Umbrella control panel

Press the Power button to shut-down or interrupt the operation of any function (Ambia LED lights, open and close). The red light on the Power button will turn OFF. The light icon and open and close icon buttons will turn OFF. Press the Power button to turn the umbrella back ON.



Control panel indicator when the Automated Umbrella is not level (tipped or tilted on an angle)

The Power button will be flashing in yellow when the umbrella is not level. All functions (open, close, Ambia LED light) are inactive. The TUUCI logo is not backlit. When the umbrella is level and no longer tipped or tilted, it will return to a powered down state with the TUUCI logo backlit in white and all other functions OFF. Press the Power button to turn-on the umbrella. Then, turn-on the various functions.



Lock-out unauthorized users from turning-on or -off various features of the Automated Umbrella

There is a lock-out feature to prevent unauthorized user access. To turn-on the lock-out feature, press and hold the Power button for 5 seconds. All functions (Ambia LED lights, open and close) will maintain their original state of ON or OFF. **The power button will be a solid yellow when the lock-out feature is activated.**

To turn-off the lock-out feature, press and hold the Power button for 5 seconds. All functions (Ambia LED lights, open and close) will maintain their current state of ON or OFF. Users will have access again to turn ON-OFF the various functions.

If the Power button is pressed during a lock-out condition, activating the emergency shut-down or interrupt feature, the Ambia LED lights, open and close umbrella features will be turned-off. All icon button lights will be OFF, except for the TUUCI logo.



## Closing the Automated Umbrella if there is an extended power outage

The Automated Umbrella comes standard with a 12V back-up battery. Unplug power cord and remove the beauty cover that conceals the control box. Plug the battery into the control box. The 12 VDC Battery will provide power to open or close the umbrella and to Turn ON / OFF the Lights, when the AC power source is not available. Umbrella must be fully open to activate the Lights. The heaters cannot be activated by the back-up battery



## (2) Light Units and Automation Electrical Specs:

This dual canopy umbrella requires only one electrical circuits

Power Supply:	
Main Input Voltage:	110VAC - 240VAC 50/60 Hz
Max. Amps:	0.63A @110 Volts AC 0.29A @240 Volts AC
Max. Watts:	70 Watts

North America version:

110-240V, 1 phase 60Hz (requires a minimum 10 Amp circuit)  
Umbrella comes with 10ft Power Cord & Plug  
(Use with 15A - 110 Volts, NEMA 5-15R Receptacle compatible with NEMA 5-15P Plugs)

Europe version:

110-240V, 1 phase 50Hz (requires a minimum 5 Amp circuit)  
Umbrella comes with 10ft Power Cord & Plug  
(Use with 16A - 250 Volts, Schuko Receptacle compatible with Schuko 16A - 250 Volts Plug)

Customer must connect to a protected power source circuit with proper Current Rating "Amps", near the umbrella, using an above ground Junction box, according to their local electrical codes and regulations.

## warnings & safety instructions

1. Read and understand entire owner's manual before assembling or operating umbrella.
2. Read and understand the warnings posted on the umbrella and/or components installed on the umbrella.
3. Disconnect electrical power to umbrella during inclement weather.
4. Keep children away from power cords on or around umbrella.
5. Disconnect power before removing or servicing umbrella.
6. Do not use this umbrella for other than its intended use.
7. Replace warning labels if they become obscured or removed.
8. Make sure the umbrella is properly electrically grounded.
9. Provide for adequate space to open and close umbrella without obstructions.
10. Customer's electrical power source connections if any, are to be installed / connected by a certified electrician. check local codes for guidance.
11. When closing / opening umbrella keep hands and face clear of all pinch points, or protruding umbrella components.

for frequently asked questions visit [tuuci.com/automationCL](http://tuuci.com/automationCL)