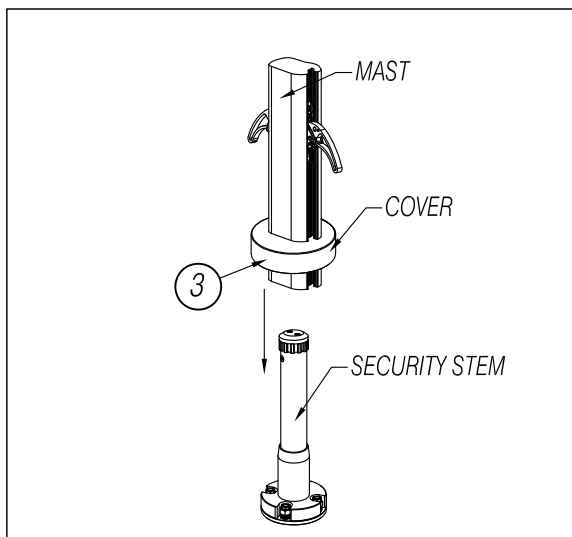
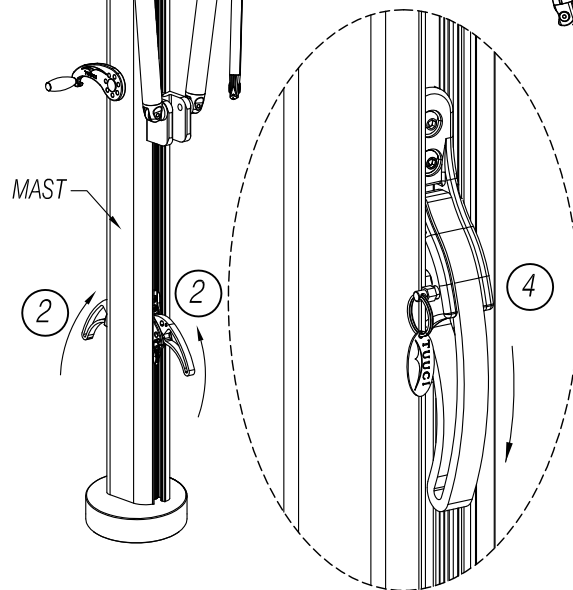
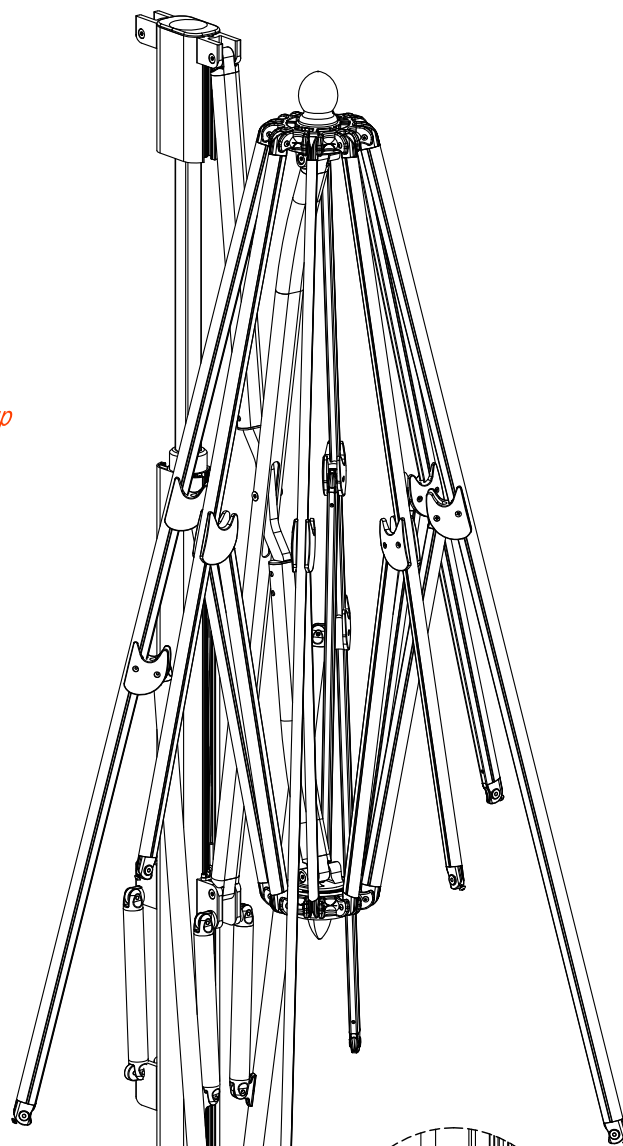
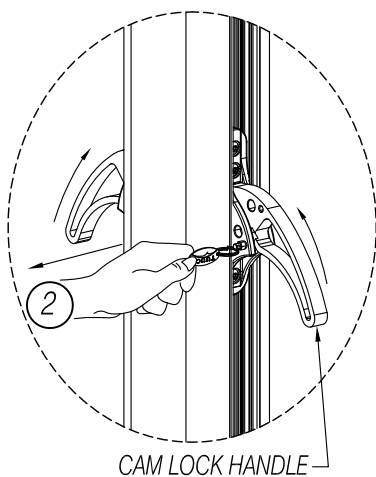


OPERATING INSTRUCTIONS

OCEAN MASTER MAX DUAL CANTILEVER AND PLANTATION MAX DUAL CANTILEVER

- ① Remove all packaging from parasol, including inside the parasol.
- ② Pull pin to unlock cam lock handle. Make sure cam lock handle is open per drawing shown.
- ③ Insert cover on to mast. Place mast in SECURITY STEM.
- ④ Push cam lock handle (per drawing shown) until engaged in the proper gear slot with the cam lock handle in the downward position.

** To rotate parasol: Pull two pins to unlock two cam lock handles, pull up and turn parasol to desired location. Lock two cam lock handles down.*



global headquarters

2900 NW 35th Street
Miami, FL 33142 USA

t 305.634.5116
f 305.634.5119

info@tuuci.com
www.tuuci.com

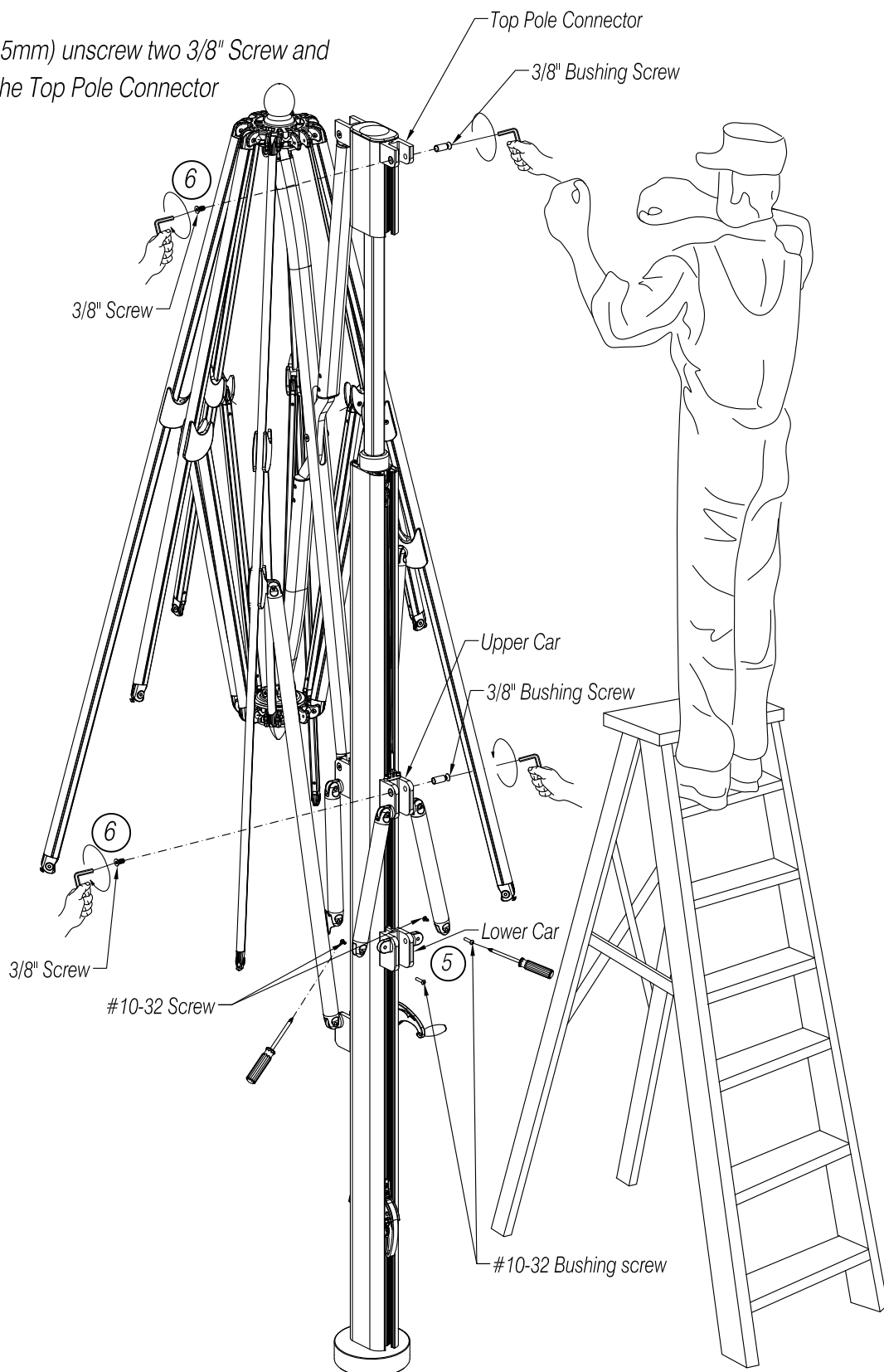
Version date: 04/01/2013 - REV: C - Page 1 of 6



OPERATING INSTRUCTIONS

OCEAN MASTER MAX DUAL CANTILEVER AND PLANTATION MAX DUAL CANTILEVER

- 5 Remove #10-32 Screws and #10-32 Bushing Screws with two Phillips screwdrivers at Lower Car as per the drawing shown.
- 6 Using two Hex keys (5.5mm) unscrew two 3/8" Screw and 3/8" Bushing Screw at the Top Pole Connector and Upper Car.



global headquarters

2900 NW 35th Street
Miami, FL 33142 USA

t 305.634.5116
f 305.634.5119

info@tuuci.com
www.tuuci.com

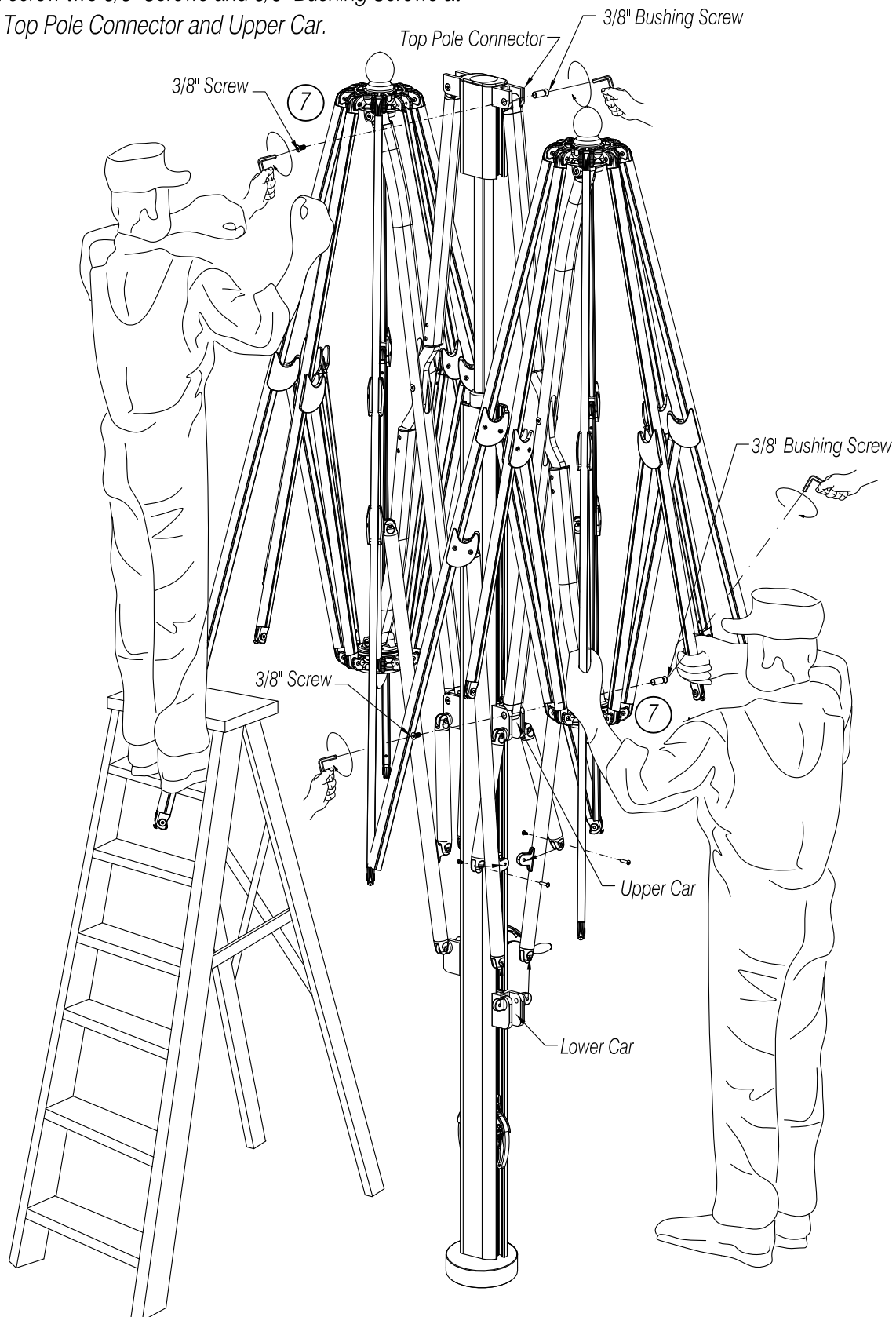
Version date: 04/01/2013 - REV: C - Page 2 of 6

TUUCI
made in miami

OPERATING INSTRUCTIONS

OCEAN MASTER MAX DUAL CANTILEVER
AND PLANTATION MAX DUAL CANTILEVER

- ⑦ Install Canopy frame by using two Hex keys (5.5mm) and screw two 3/8" Screws and 3/8" Bushing Screws at the Top Pole Connector and Upper Car.



global headquarters

2900 NW 35th Street
Miami, FL 33142 USA

t 305.634.5116
f 305.634.5119

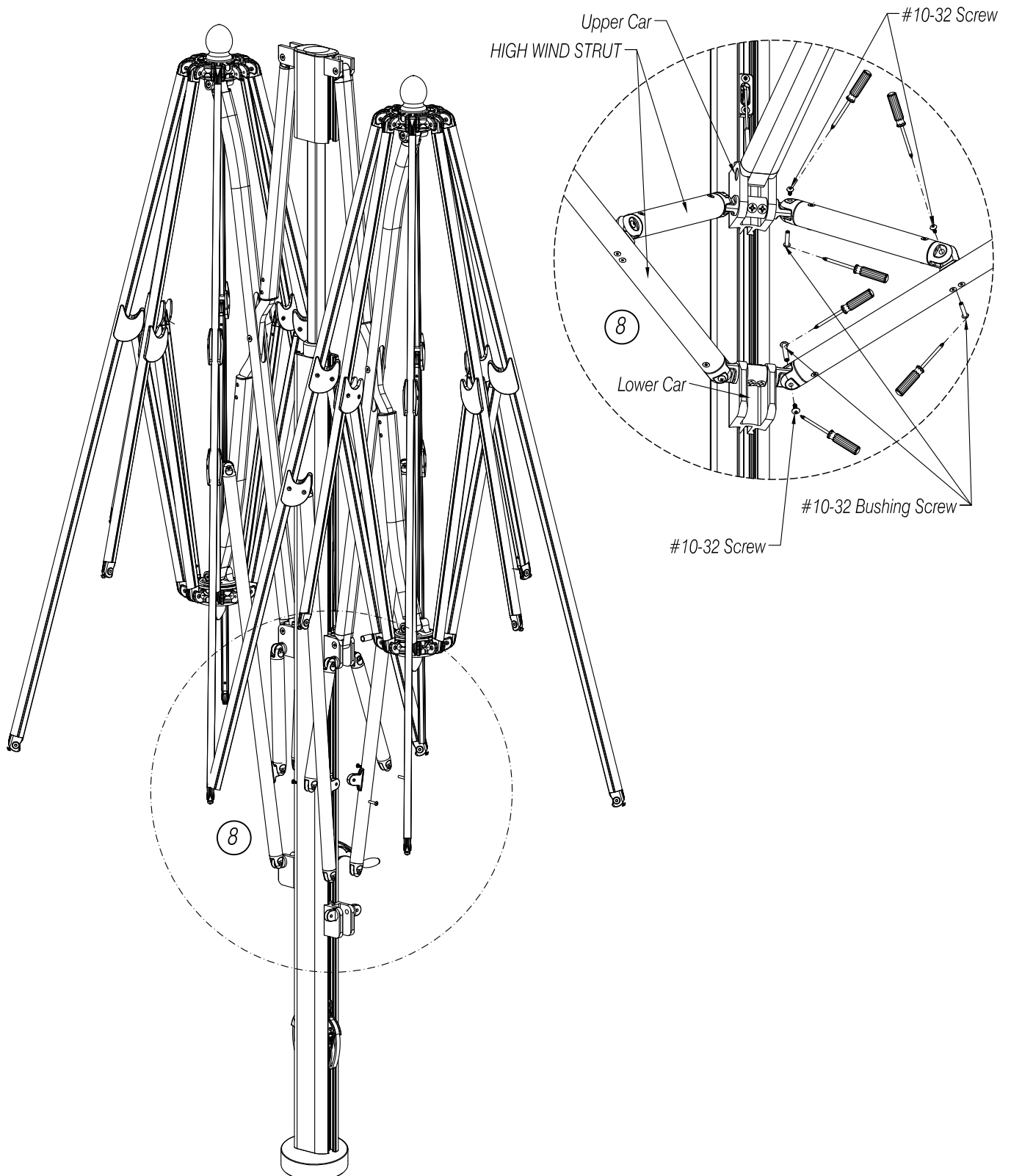
info@tuuci.com
www.tuuci.com

TUUCI
made in miami

OPERATING INSTRUCTIONS

OCEAN MASTER MAX DUAL CANTILEVER AND PLANTATION MAX DUAL CANTILEVER

- ⑧ If included install HIGH WIND STRUTS as per the drawing shown.
Then securely tighten #10-32 Screws and #10-32 Bushing screws
with two Phillips screwdrivers.



global headquarters

2900 NW 35th Street
Miami, FL 33142 USA

t 305.634.5116
f 305.634.5119

info@tuuci.com
www.tuuci.com

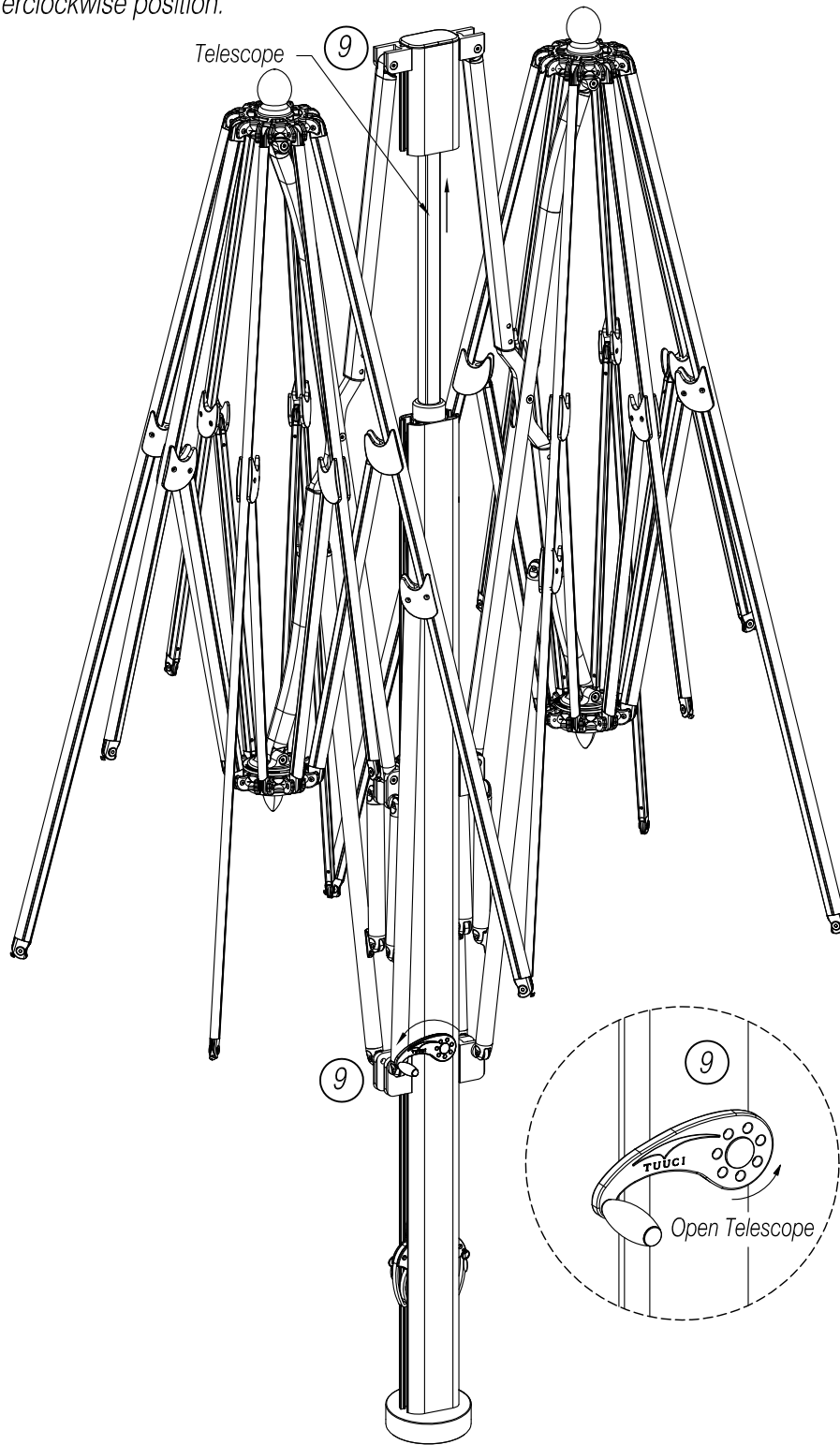
Version date: 04/01/2013 - REV: C - Page 4 of 6

TUUCI
made in miami

OPERATING INSTRUCTIONS

OCEAN MASTER MAX DUAL CANTILEVER
AND PLANTATION MAX DUAL CANTILEVER

- ⑨ Insert crank handle and open telescope by turning crank handle counterclockwise until it stops. The canopy and parasol will remain closed. Keep tension on the cable as you crank in a counterclockwise position.



global headquarters

2900 NW 35th Street t 305.634.5116
Miami, FL 33142 USA f 305.634.5119

Version date: 04/01/2013 - REV: C - Page 5 of 6

info@tuuci.com
www.tuuci.com

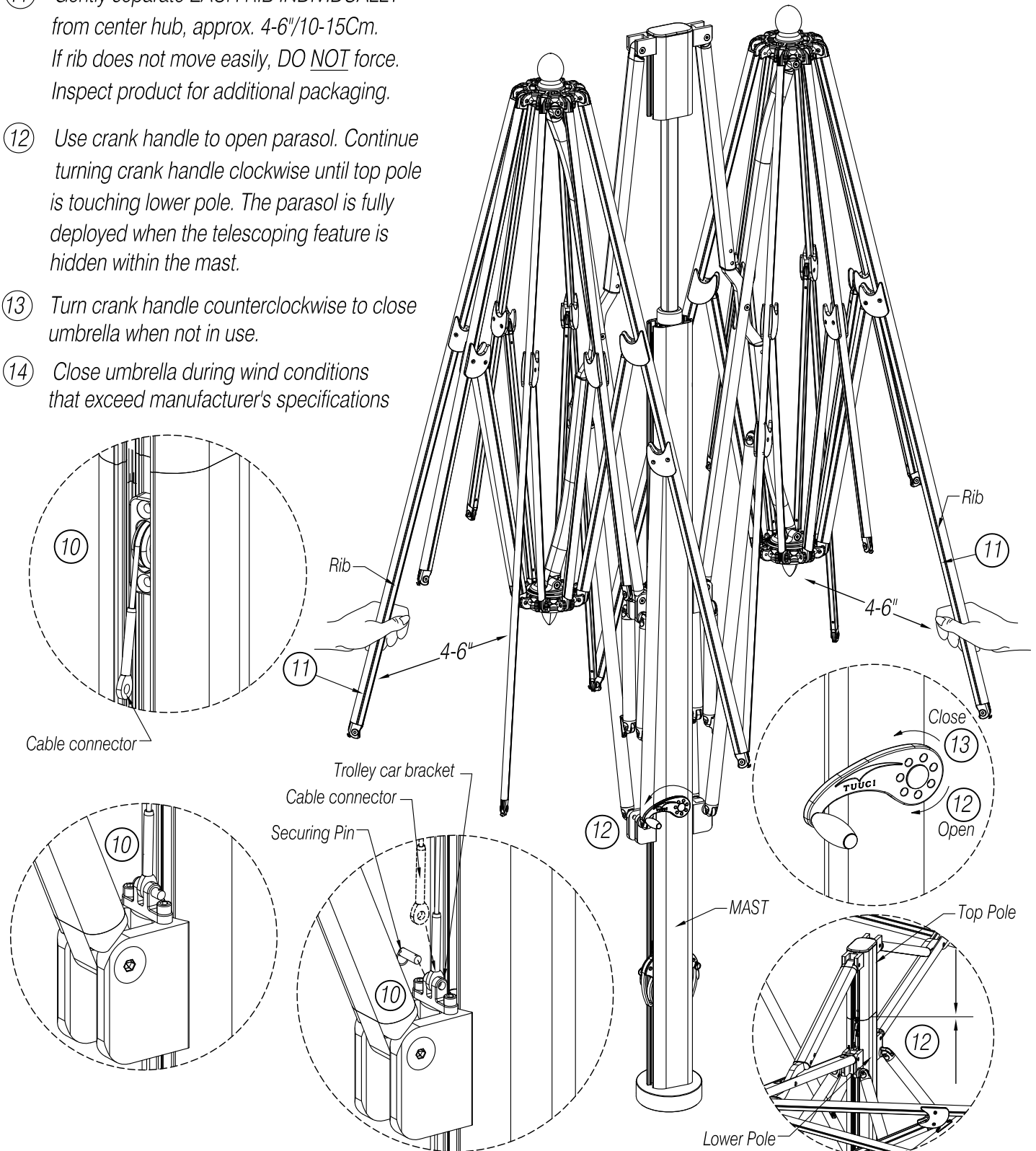
TUUCI
made in miami

OPERATING INSTRUCTIONS

OCEAN MASTER MAX DUAL CANTILEVER
AND PLANTATION MAX DUAL CANTILEVER

Engage the telescoping feature:

- ⑩ Take out the securing pin from each side. Pull cable connector to two trolley car brackets then insert two securing pins.
- ⑪ Gently separate EACH RIB INDIVIDUALLY from center hub, approx. 4-6"/10-15Cm. If rib does not move easily, DO NOT force. Inspect product for additional packaging.
- ⑫ Use crank handle to open parasol. Continue turning crank handle clockwise until top pole is touching lower pole. The parasol is fully deployed when the telescoping feature is hidden within the mast.
- ⑬ Turn crank handle counterclockwise to close umbrella when not in use.
- ⑭ Close umbrella during wind conditions that exceed manufacturer's specifications



global headquarters

2900 NW 35th Street
Miami, FL 33142 USA

t 305.634.5116
f 305.634.5119

info@tuuci.com
www.tuuci.com

Version date: 04/01/2013 - REV: C - Page 6 of 6

TUUCI
made in miami