

Note: This operation may require 2 people

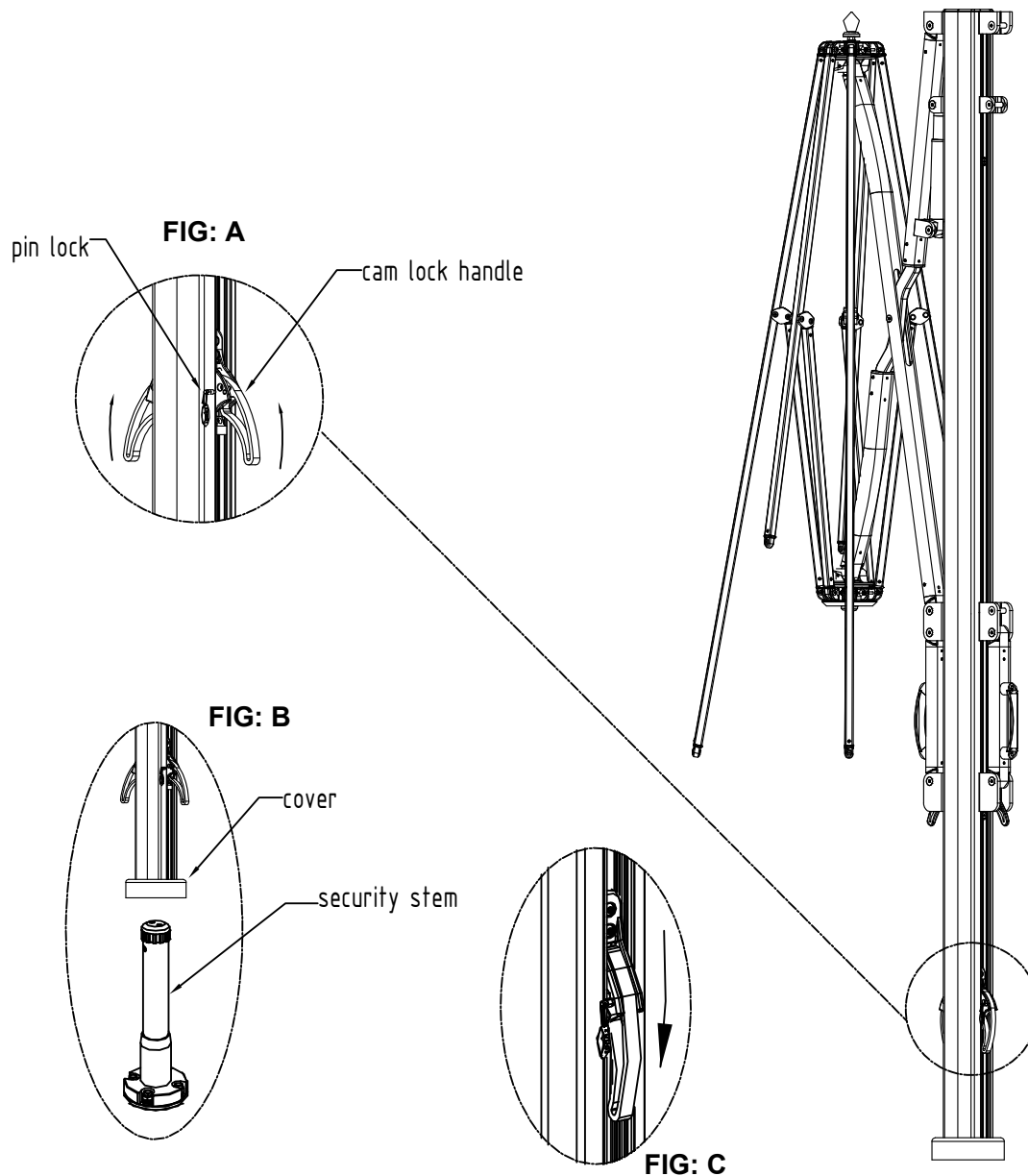
Step 1: Remove all packaging from parasol, including inside the parasol.

Step 2: Pull pin to unlock cam lock handle. Make sure cam lock handle is open (see FIG A)

Step 3: Insert cover on to mast. Place mast in SECURITY STEM (see FIG B).

Step 4: Push cam lock handle (see FIG C) until engaged in the proper gear slot with the cam lock handle in the downward position.

** To rotate parasol: Pull two pins to unlock two cam lock handles, pull up and turn parasol to desired location. Lock two cam lock handles down.*



Global headquarters

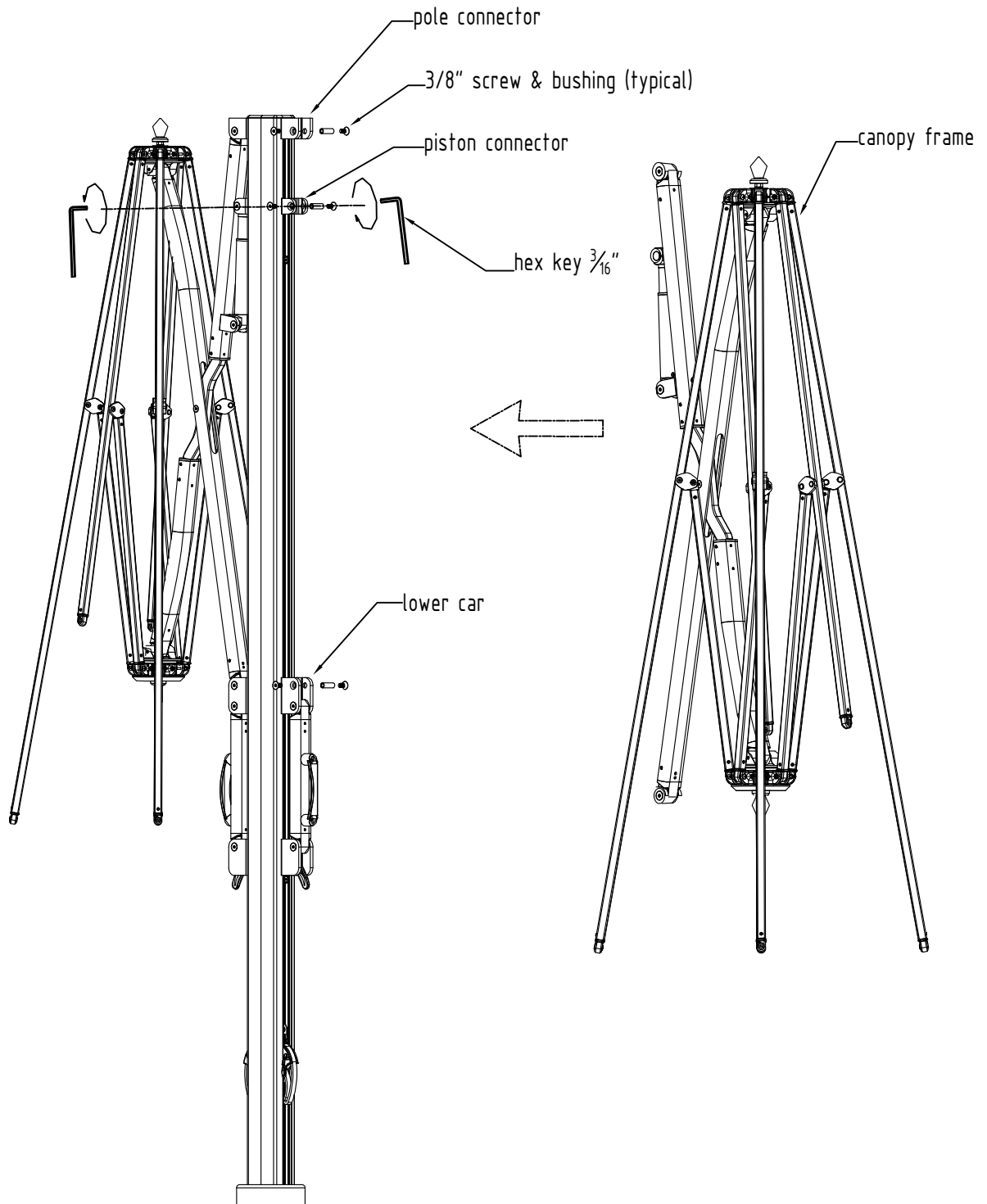
2900 NW 35th Street
Miami, FL 33142 USA

t 305.634.5116
f 305.634.5119

info@tuuci.com
www.tuuci.com



Step 5: Before installing canopy frame, using two Hex Keys (3/16" or 5.5mm) unscrew two 3/8" screws and 3/8" bushing screws at the top pole connector, piston connector and lower car.



Global headquarters

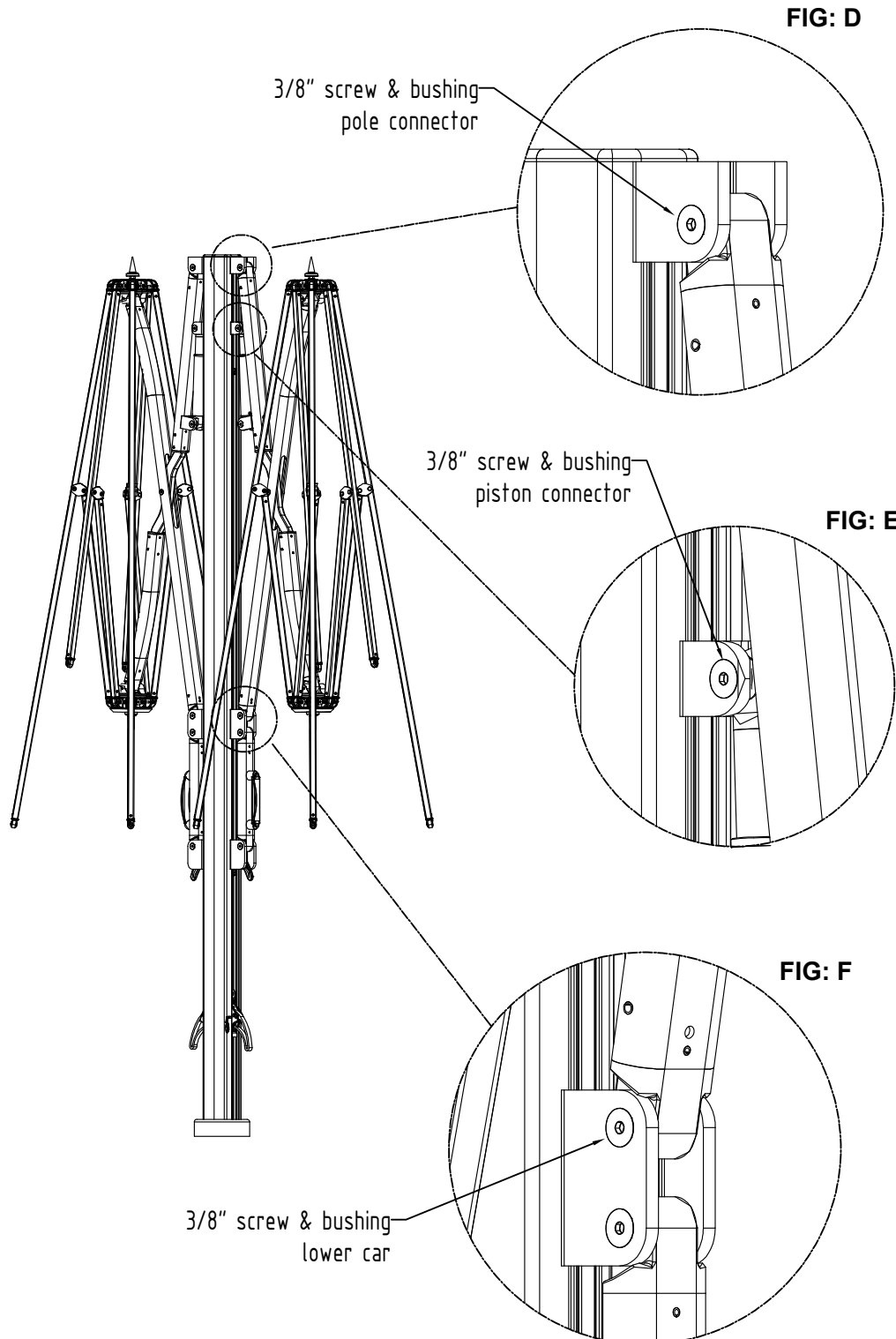
2900 NW 35th Street
Miami, FL 33142 USA

t 305.634.5116
f 305.634.5119

info@tuuci.com
www.tuuci.com



Step 6: Using two Hex Keys (3/16" or 5.5mm) install canopy frame, mount with two 3/8" screws and 3/8" bushing on three locations (see FIG D, FIG E, and FIG F).



Global headquarters

2900 NW 35th Street
Miami, FL 33142 USA

t 305.634.5116
f 305.634.5119

info@tuuci.com
www.tuuci.com

Version date 2016-03-08

