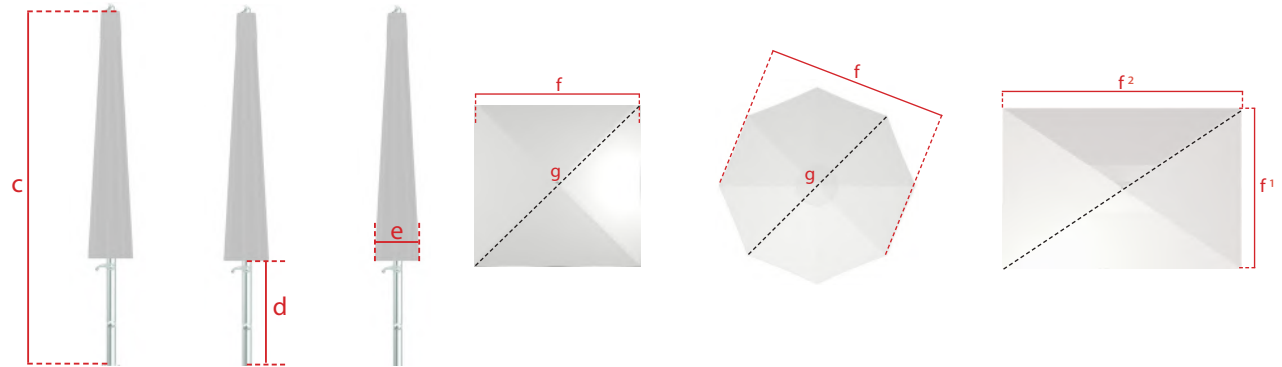
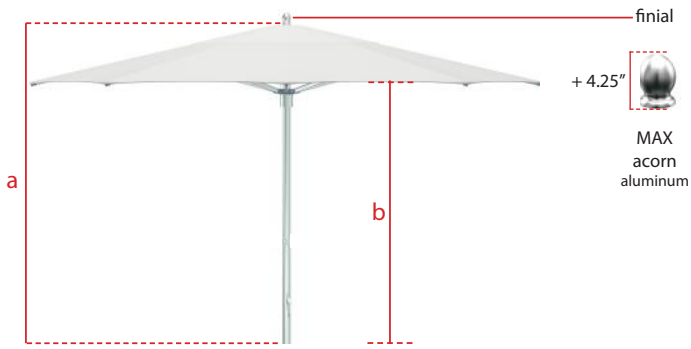





ocean master & plantation MAX classic

"auto-loc-lift" marine pulley lift



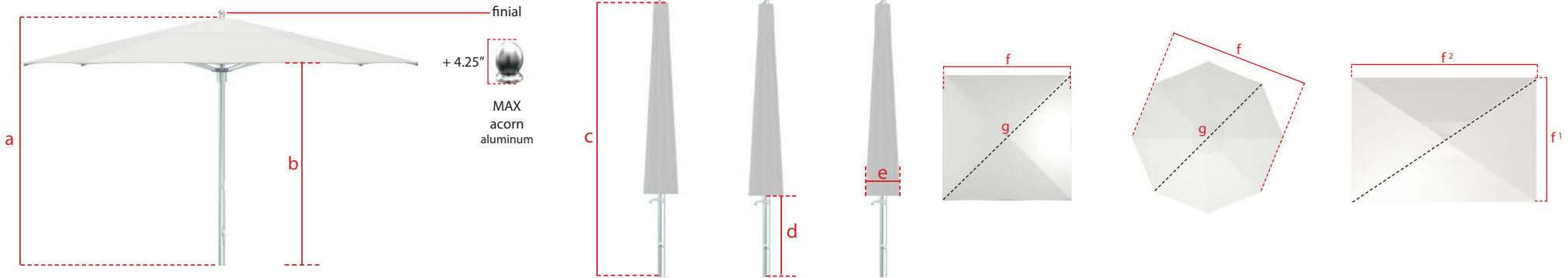
classic	sizes [ft/m]	Pole Diameter	mast height (open position) a (in/cm)	canopy clearance b (in/cm)	mast height (closed position) c (in/cm)	table clearance d (in/cm)	closed parasol width e (in/cm)	flat to flat (Open Umbrella) f (in/cm)	point to point g (in/cm)	canopy area coverage ft ²
	8.0' / 2.45m	2 ³ / ₈	101 / 257	86 / 218	101 / 257	35 / 89	17 / 43	97 / 246	135 / 343	62.3
	10.0' / 3.0m	2 ³ / ₈	104 / 264	86 / 218	104 / 264	21 / 53	16 / 41	120 / 305	170 / 432	98
	9.0' / 2.75m	2 ³ / ₈	97 / 246	84 / 213	97 / 246	38 / 97	14 / 36	101 / 157	109 / 277	57.3
	11.0' / 3.4m	2 ³ / ₈	104 / 264	84 / 213	106 / 269	36 / 91	22 / 56	124 / 315	134 / 340	88
	8.0' x 12.0' 2.45m x 3.65m	2 ³ / ₈	100 / 254	92 / 234	106 / 269	15 / 38	14 / 36	f ¹ X f ² 98 x 143 249 x 363	173 / 439	97.3

Dimension Tolerances ± 2"
 Dimensions shown correspond to indicated lift system
 Options are subject to change without notice
 Some options are only available in certain sizes and shapes

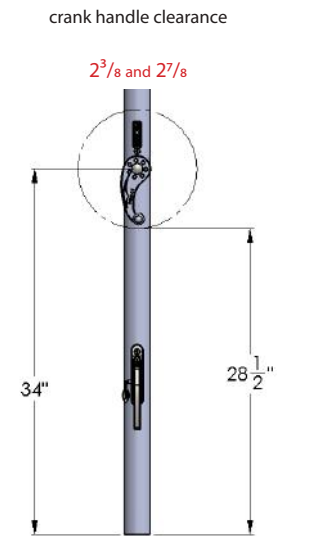
2" security base stem height not included

ocean master & plantation MAX classic

“easy drive” crank



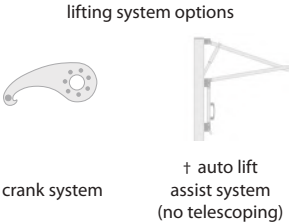
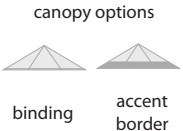
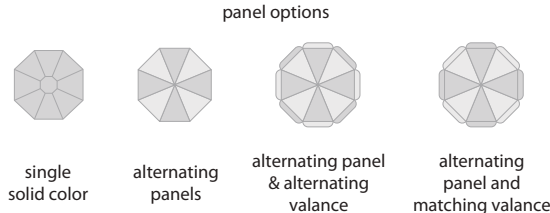
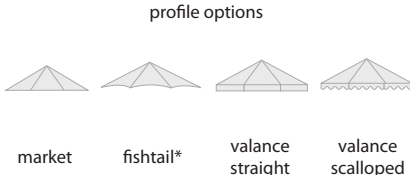
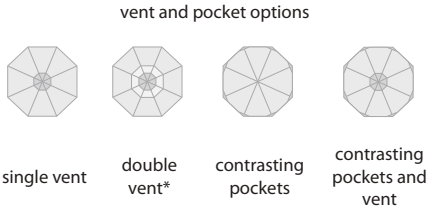
classic	sizes [ft/m]	Pole Diameter	mast height (open position) a (in/cm)	canopy clearance b (in/cm)	mast height (closed position) c (in/cm)	table clearance d (in/cm)	closed parasol width e (in/cm)	flat to flat (Open Umbrella) f (in/cm)	point to point g (in/cm)	canopy area coverage ft ²
square	8.0' / 2.45m	2 ³ / ₈	101 / 257	88	101 / 257	35 / 89	17 / 43	97 / 246	135 / 343	64
	10.0' / 3.0m	2 ³ / ₈	104 / 264	86 / 218	126 / 320	41 / 104	16 / 41	120 / 305	170 / 432	100
	12.0' / 3.65m	2 ⁷ / ₈	110 / 279	89 / 226	134 / 340	34 / 86	22 / 56	144 / 366	203 / 516	142
	14.0' / 4.25m	2 ⁷ / ₈	116 / 294	98 / 249	155 / 394	36 / 91	20 / 51	169 / 429	239 / 607	198
octagon	16.0' / 4.9m	2 ⁷ / ₈	123 / 310	98.5 / 250	170 / 432	36 / 91	19 / 48	192 / 488	272 / 691	257
	9.0' / 2.75m	2 ³ / ₈	98 / 246	85 / 216	98 / 249	39 / 99	14 / 36	101 / 257	109 / 277	56
	11.0' / 3.4m	2 ³ / ₈	106 / 269	86 / 218	106 / 269	46 / 117	14 / 36	124 / 315	134 / 340	88
	13.0' / 4.0m	2 ⁷ / ₈	100 / 254	85 / 216	127 / 323	45 / 114	21 / 53	142 / 361	153 / 389	115
rectangle	15.0' / 4.5m	2 ⁷ / ₈	107 / 272	87 / 221	135 / 343	45 / 114	24 / 61	167 / 424	181 / 460	157
	17.0' / 5.2m	2 ⁷ / ₈	114 / 290	90 / 229	146 / 371	45 / 114	24 / 61	189 / 480	205 / 521	204
	8.0' x 12.0' / 2.45m x 3.65m	2 ³ / ₈	100 / 254	87 / 221	120 / 305	35 / 89	15 / 38	f ¹ X f ² 98 x 144 249 x 366	176 / 447	166
	10.0' x 14.0' / 3m x 4.25m	2 ⁷ / ₈	110 / 279	91 / 231	145 / 368	42 / 107	14 / 36	f ¹ X f ² 121 X 171 307 X 434	209 / 531	144
	12.0' x 16.0' / 3.65m x 4.9m	2 ⁷ / ₈	119 / 302	100 / 254	160 / 406	42 / 107	17 / 43	f ¹ X f ² 194 X 143 493 / 363	240 / 610	189



Dimension Tolerances ± 2"
 Dimensions shown correspond to indicated lift system
 Options are subject to change without notice
 Some options are only available in certain sizes and shapes

2" security base stem height not included

ocean master & plantation MAX classic (cont.)



finish options

standard



polished aluminum

powder coat



textured bright white



sea shell white



espresso



ash grey



hammered bronze



jet black

aluma-TEAK



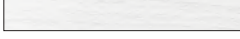
natural



java



weathered



aspen white

Dimension Tolerances +.2"
 Dimensions shown correspond to indicated lift system
 Options are subject to change without notice
 Some options are only available in certain sizes and shapes