

TUUCI | MAX CENTER POST AMBIA LIGHT



assembly & operating instructions

to protect your product, please read the operating instructions before opening the parasol

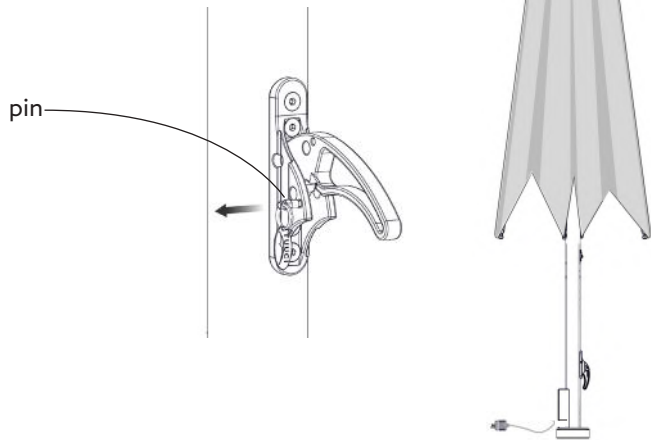
AMBIA LIGHT MAX CENTER POST

STEP 1

Remove all packaging from in and around umbrella.

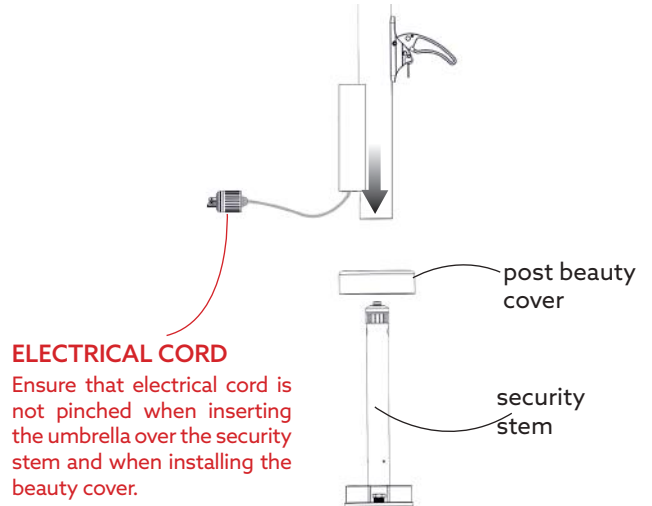
STEP 2

Pull pin from cam lock and lift the handle to unlock.



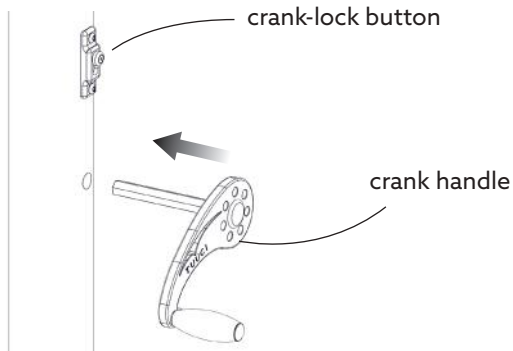
STEP 3

Once you have leveled the security stem using the base installation instructions, slide the post beauty cover and umbrella over the security stem (security stem is included with umbrella).



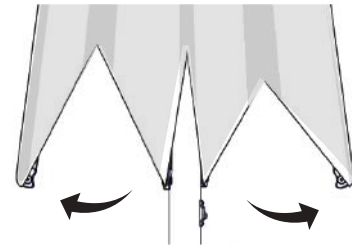
STEP 4

Insert crank handle and unlock crank-lock button by moving to up position.



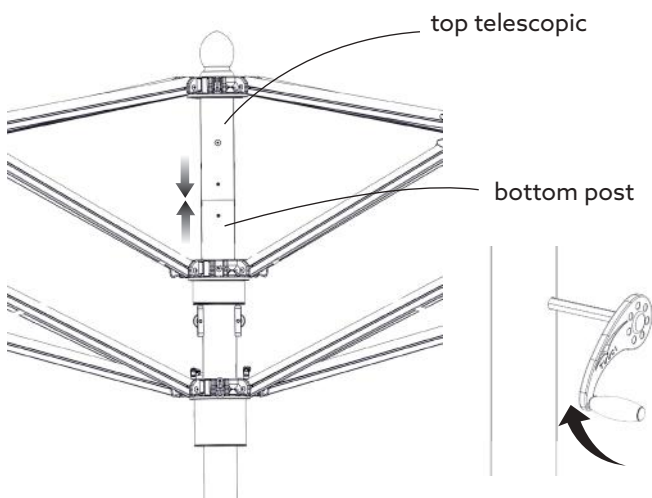
STEP 5

Gently separate each rib individually from the center hub approximately 10 inches. If the rib does not move easily, do not force. Inspect the product for additional packaging.



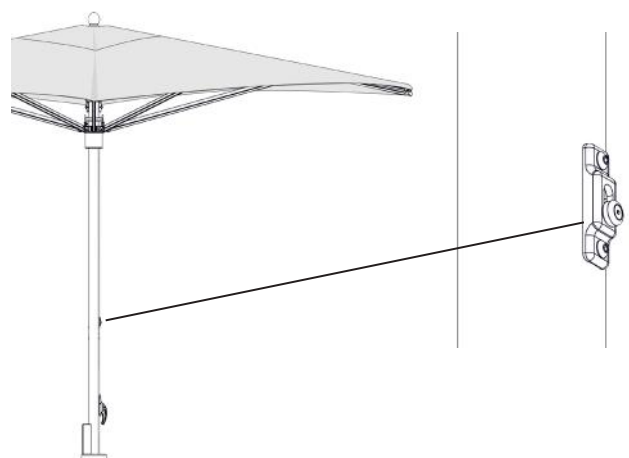
STEP 6

Open umbrella by turning crank handle clockwise until top telescopic makes contact with bottom post.



STEP 7

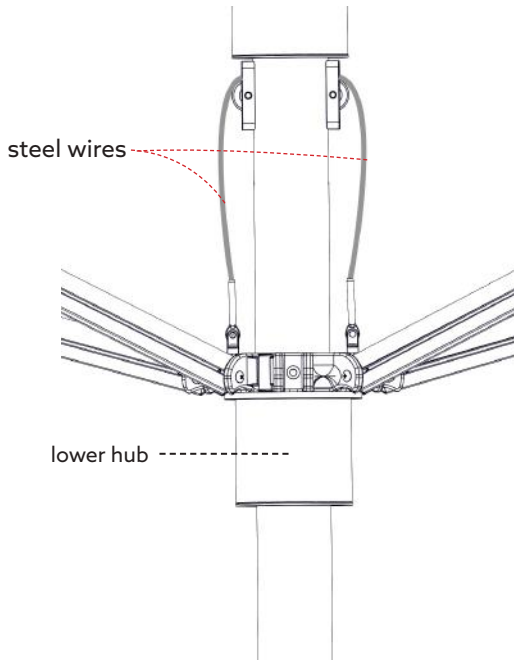
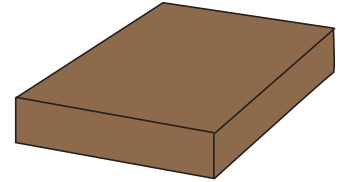
Crank lock must be in down position to lock opened umbrella.



AMBIA LIGHT MAX CENTER POST

The ambia light kit is safely stored in a separate packaging box.

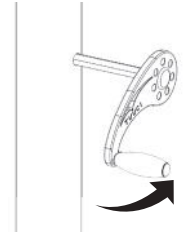
kit includes:
ambia light
2 screws
allen key
bottom light cover



STEP 8

To install ambia light release tension from the steel wires by slightly cranking umbrella counter-clockwise.

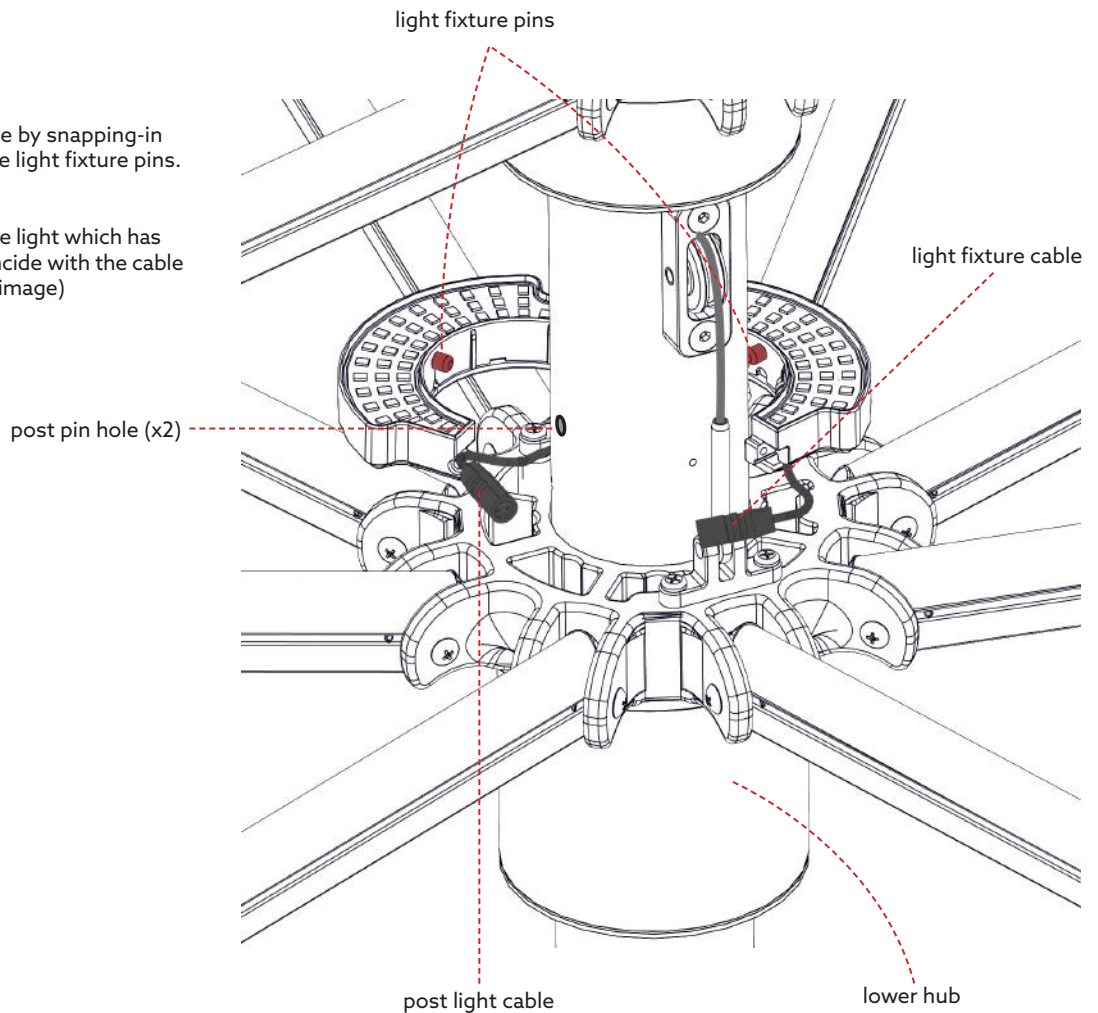
Slightly raise lower hub if more slack is needed when mounting ambia light.



STEP 9

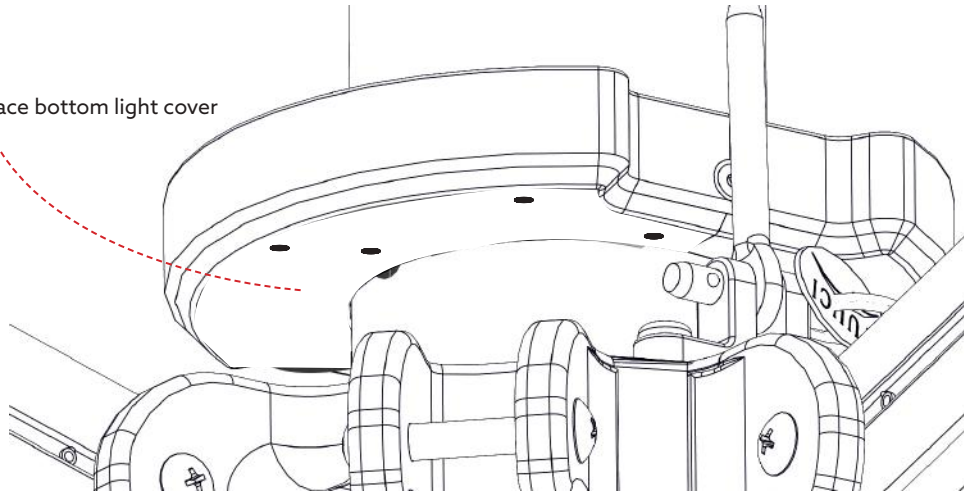
Position ambia light in place by snapping-in the 2 post pin holes and the light fixture pins. See image for details.

Note: The half portion of the light which has no bottom will need to coincide with the cable coming from the post (see image)



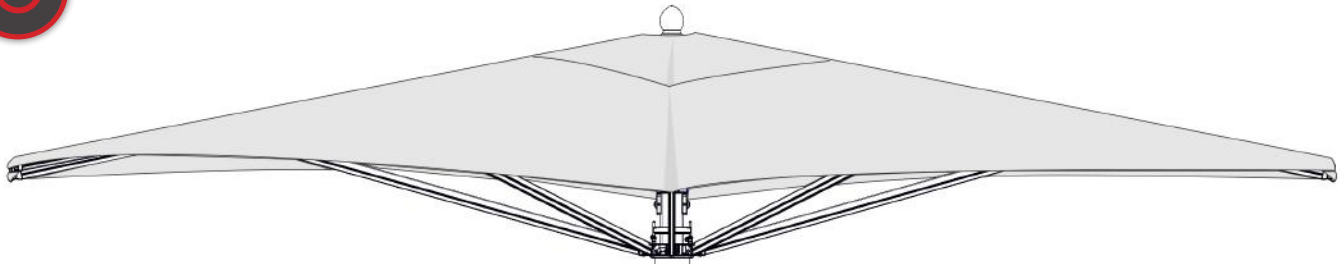
AMBIA LIGHT MAX CENTER POST

STEP 12
Install/snap-in place bottom light cover



STEP 13
Connect the electrical cord to an outlet.

STEP 14
Confirm the abmia light works by pressing the power button located on power supply cover

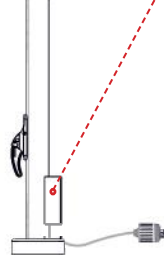


STEP 15
When not in use the canopy must be carefully folded and secured with the tie-strap.

Note:
close umbrella during wind conditions that exceed manufacturer's specifications



power button



Power Supply:	
Input Voltage	90 - 305VAC
Input Current	0.6A / 115VAC 0.3A / 230VAC
Output Voltage	12 VDC
Output Power	40 Watts