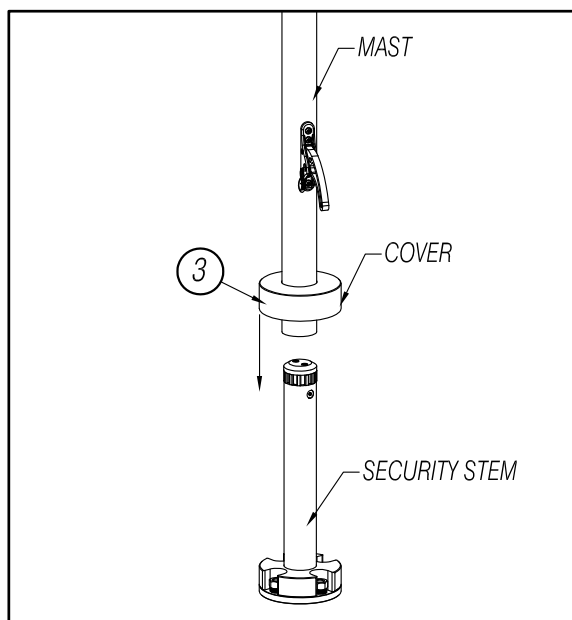
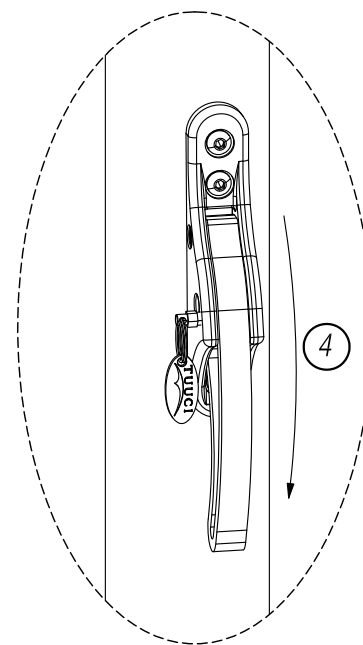
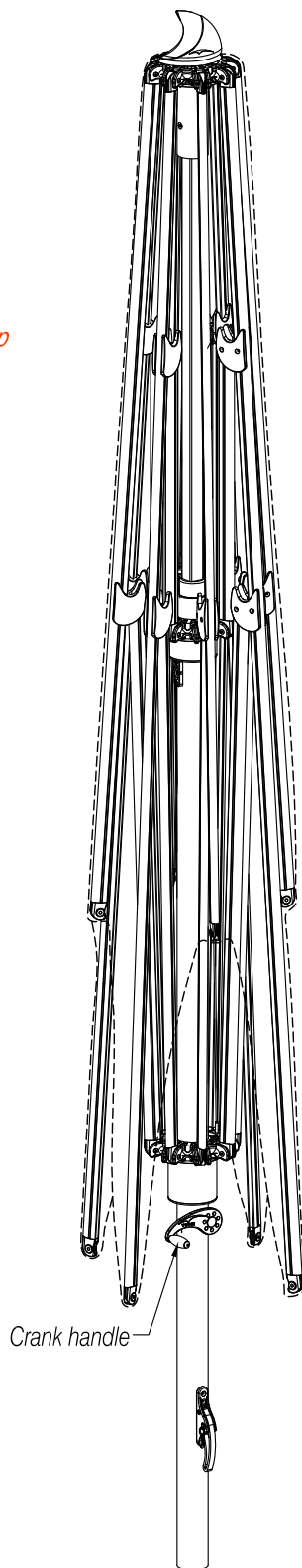
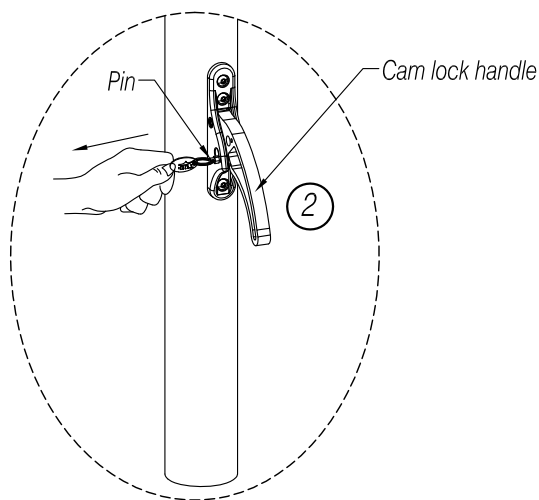


OPERATING INSTRUCTIONS

OCEAN MASTER MAX AND PLANTATION MAX CENTER MAST PARASOL

- ① Remove all packaging from umbrella, including inside the umbrella.
- ② Pull pin to unlock cam lock handle. Make sure cam lock handle is open per drawing shown.
- ③ Insert cover on to mast. Place Umbrella in SECURITY STEM.
- ④ Push cam lock handle (per drawing shown) until engaged in the proper gear slot with the cam lock handle in the downward position.

* To rotate umbrella: Pull pin to unlock cam lock handle, pull handle up and turn umbrella to desired location. Lock cam lock handle down.



| OCEAN MASTER MAX AND PLANTATION MAX CENTER MAST PARASOL SHAPES AND SIZES | | | |
|---|------------|-------------|-----------------|
| CLASSIC | MANTA | CRESCENT | ZERO HORIZON |
| 15' OCTAGON | 14' SQUARE | 16' OCTAGON | 16' OCTAGON |
| 17' OCTAGON | 16' SQUARE | 18' OCTAGON | 14' SQUARE |
| 14' SQUARE | | | 10' x 14' RECT. |
| 16' SQUARE | | | |
| 10' x 14' RECT. | | | |
| 12' x 16' RECT. | | | |

global headquarters

2900 NW 35th Street
Miami, FL 33142 USA

t 305.634.5116
f 305.634.5119

info@tuuci.com
www.tuuci.com

Version date: 04/01/2013 - REV: C - Page 1 of 2

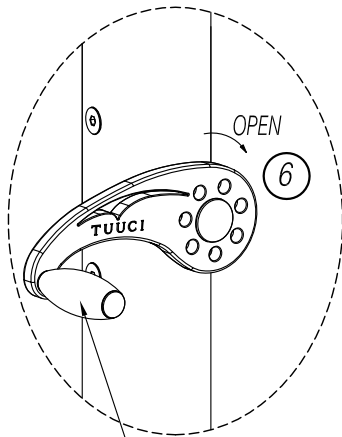


OPERATING INSTRUCTIONS

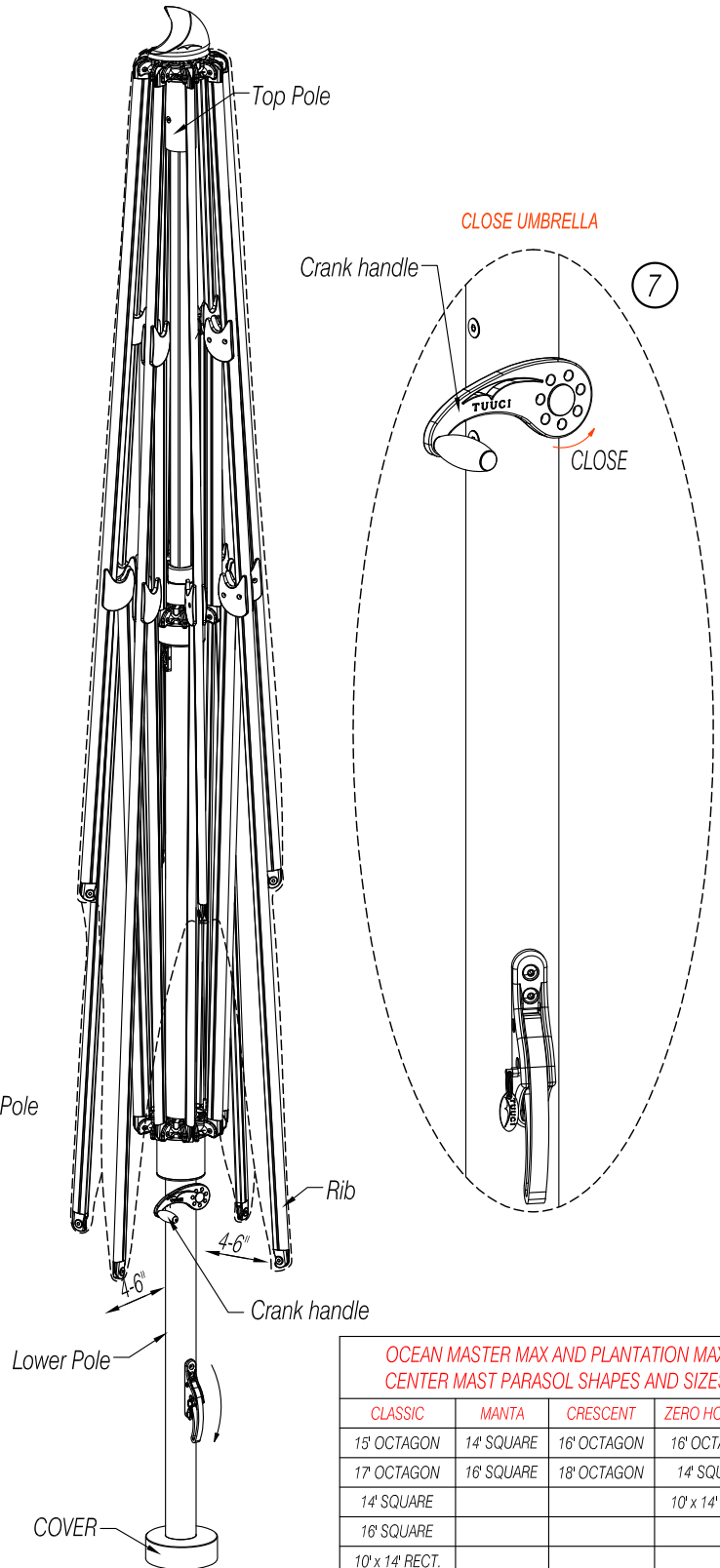
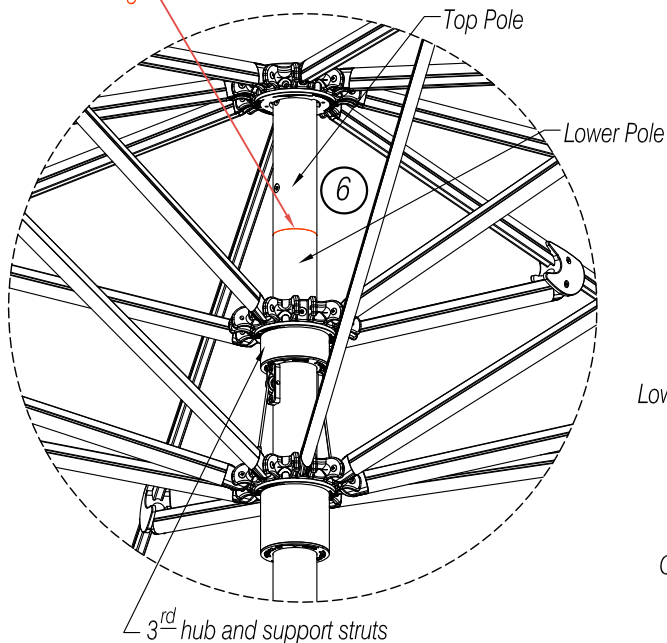
OCEAN MASTER MAX AND PLANTATION MAX CENTER MAST PARASOL

- ⑤ Gently separate EACH RIB INDIVIDUALLY from center post, approx. 10-12"/25-30cm. If rib does not move easily, DO NOT force. Inspect product for additional packaging.
- ⑥ Use crank handle to open umbrella. Continue turning crank handle clockwise until top pole is touching lower pole.
- ⑦ Then turn crank handle counterclockwise to close umbrella when not in use.
- ⑧ Close umbrella during wind conditions that exceed manufacturer's specifications.

OPEN UMBRELLA



Top Pole and lower pole are touching



OCEAN MASTER MAX AND PLANTATION MAX
CENTER MAST PARASOL SHAPES AND SIZES

| CLASSIC | MANTA | CRESCENT | ZERO HORIZON |
|-----------------|------------|-------------|-----------------|
| 15' OCTAGON | 14' SQUARE | 16' OCTAGON | 16' OCTAGON |
| 17' OCTAGON | 16' SQUARE | 18' OCTAGON | 14' SQUARE |
| 14' SQUARE | | | 10' x 14' RECT. |
| 16' SQUARE | | | |
| 10' x 14' RECT. | | | |
| 12' x 16' RECT. | | | |

global headquarters

2900 NW 35th Street
Miami, FL 33142 USA

t 305.634.5116
f 305.634.5119

info@tuuci.com
www.tuuci.com

Version date: 04/01/2013 - REV: C - Page 2 of 2

