

to protect your product, please read the operating instructions before opening the parasol

---

# TUUCI | MAX cantilever with tilt



assembly & operating instructions

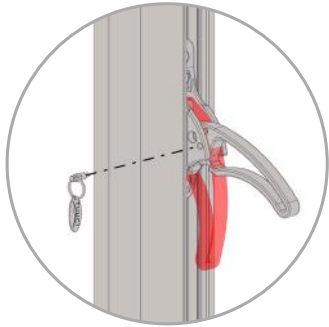
applies to:  
ocean master MAX cantilever & plantation MAX cantilever

**Step 1**

Remove all packaging from umbrella, including inside the umbrella.

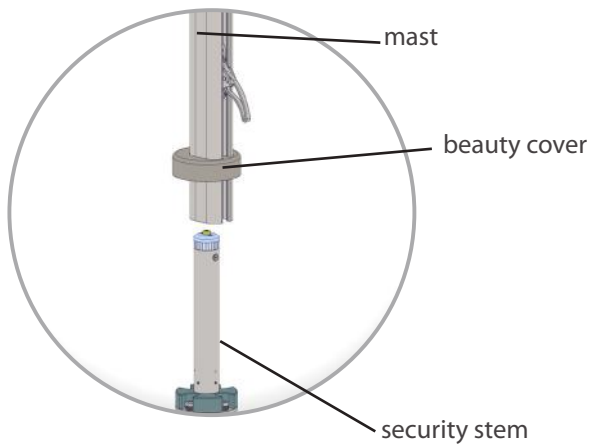
**Step 2**

Pull pin to unlock and make sure cam lock handle is open.



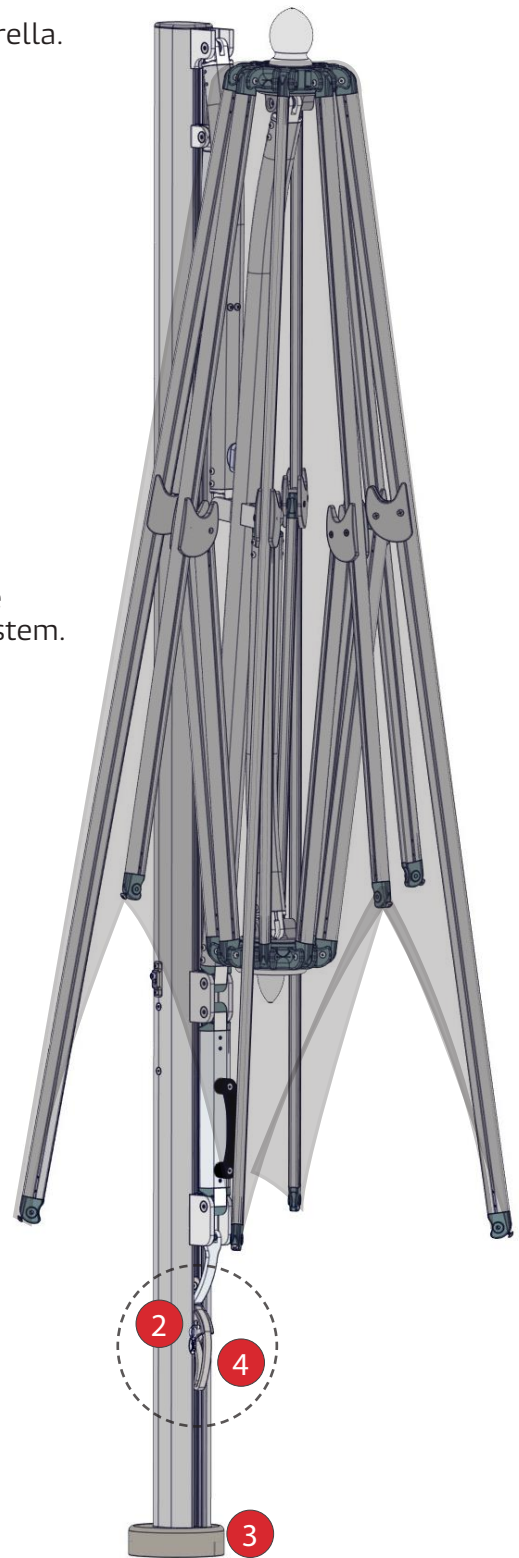
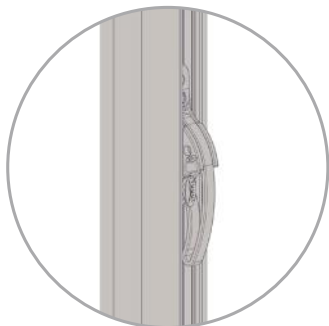
**Step 3**

Once the security stem is installed in its desired location, slide the beauty cover over the mast and insert the mast into the security stem.



**Step 4**

Push cam lock handle until it engages in the proper gear slot then lock handle with pin .



applies to:



square



octagon



rectangle

## OPENING UMBRELLA

### Step 5

Gently separate each rib individually from center hub approx. 10 inches. If rib does not move easily do not force. Inspect product for additional packaging.

### Step 6

Lift cart lever to release tension and to unlock canopy frame.

### Step 7

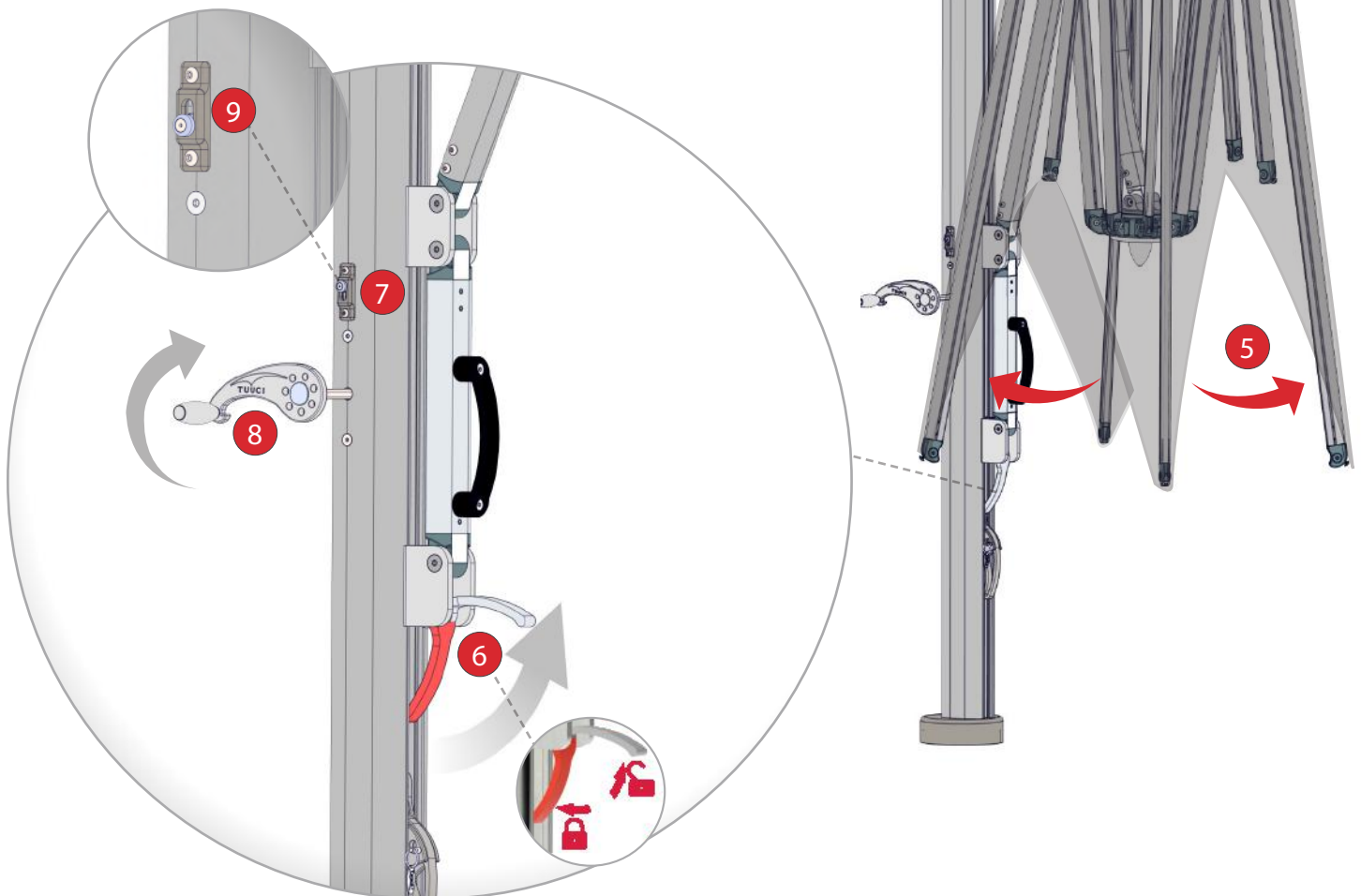
Make sure the gear lock button is in the top/unlock position before turning crank handle.

### Step 8

Insert crank handle and rotate clockwise.

### Step 9

Once umbrella is fully deployed, engage gear lock and remove crank handle. Make sure to store crank handle in a safe place.



## ADJUSTING CANOPY ANGLE

### Step 10

Make sure cart lever is unlocked.

### Step 11

The angle of the canopy can be adjusted to a desired position by moving the cart handle up or down, lock the position by setting the cart lever down.



## CLOSING UMBRELLA

### Step 12

Lift cart lever to release tension and to unlock.

### Step 13

Make sure the gear lock button is in the top/unlock position before turning crank handle.

### Step 14

Insert crank handle and rotate counterclockwise, until it stops.

### Step 15

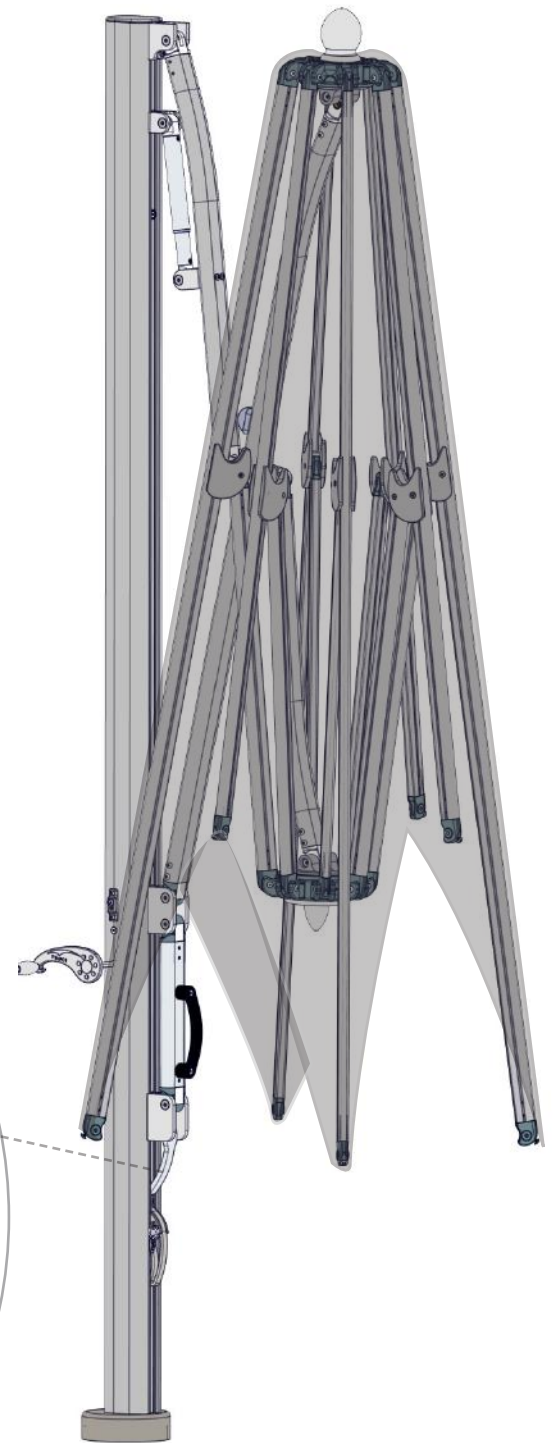
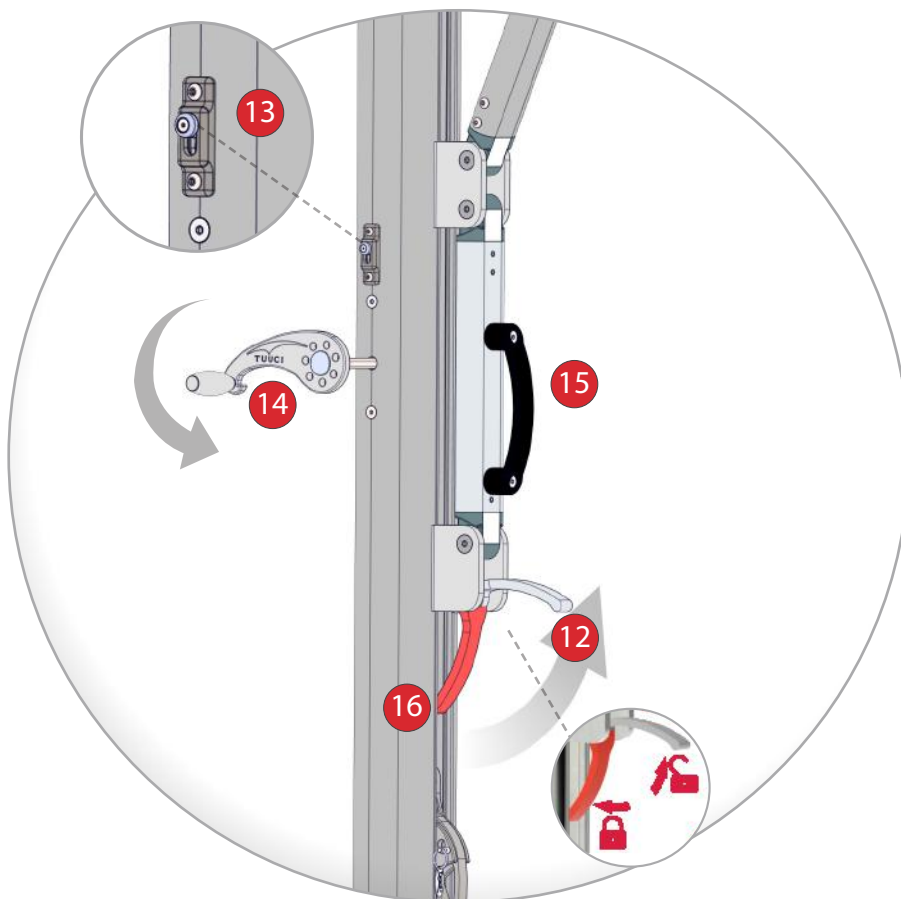
Lower cart to bottom.

### Step 16

Collapse the umbrella frame in full against the mast, then lock the closed position by setting the cart lever down.

### Step 17

Tie back umbrella canopy when not in use.



**Note: close umbrella during wind conditions that exceed manufacturer's specifications.**

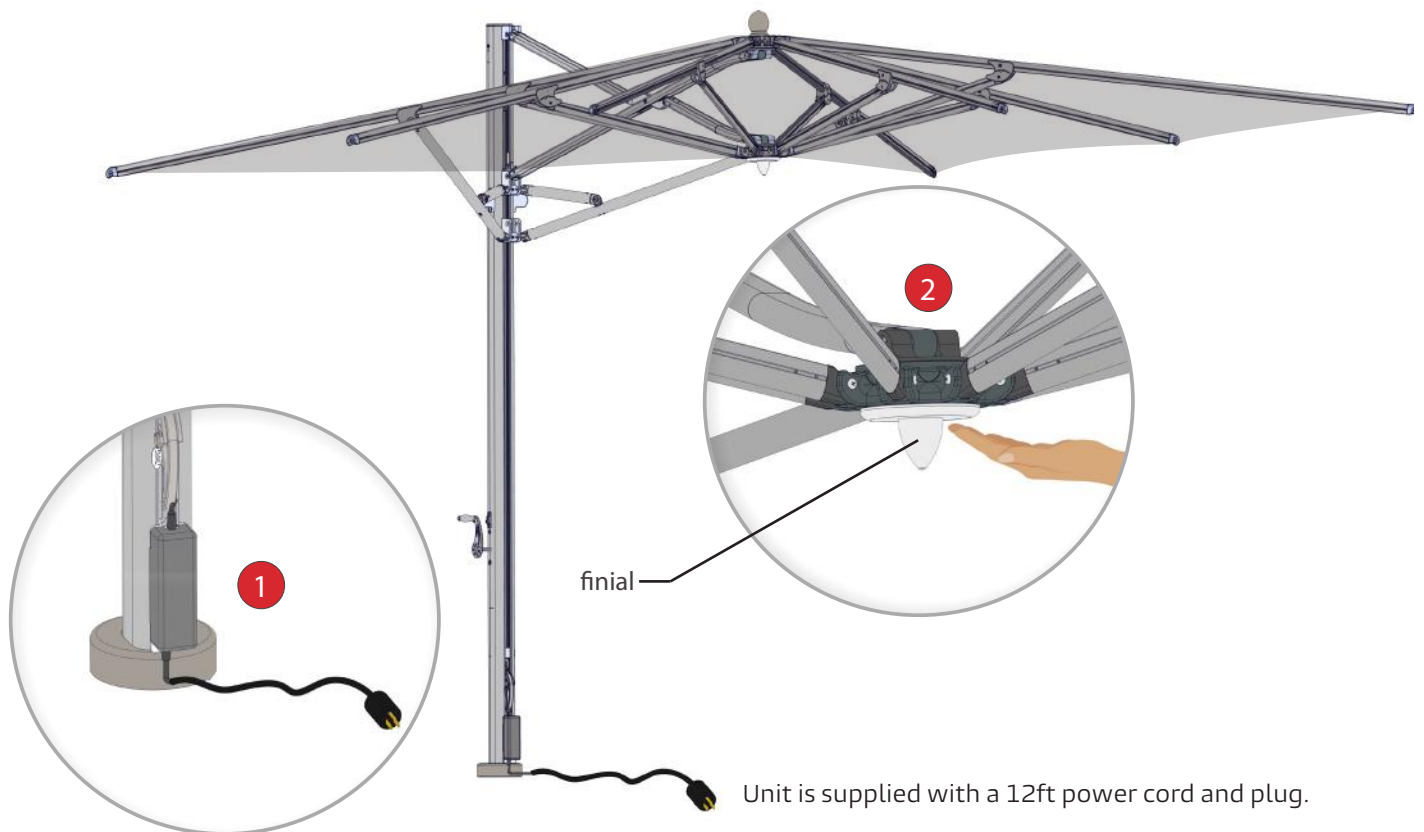
## IF APPLICABLE - WITH LED LIGHT

### Step 1

Connect the electrical cord to the outlet.

### Step 2

Tap finial once to power on-off, or touch and hold for light dimming control.



### LIGHTING SPECIFICATIONS

Power Supply:	
Input Voltage	90 - 305VAC
Input Current	0.6A / 115VAC 0.3A / 230VAC
Output Voltage	12 VDC
Output Power	40 Watts

TUUCI frames are constructed from durable, marine-grade, weather resistant materials including: fiberglass, armor-wall aluminum, Dura-TEAK composites, Aluma-TEAK aluminum and sustainable hardwood. All fasteners (nuts, bolts, pulleys, cam cleats, etc.) are marine-grade stainless steel and will withstand the most corrosive environments. Proper care and maintenance is important to extend the serviceable life of all TUUCI products. We recommend the following:

- Fresh water rinses once a week
- Weekly inspection of your TUUCI product is recommended. Loose screws should be tightened and any broken components replaced immediately to avoid further damage to your product.
- Prior to opening, ensure that the shade product is properly secured to an adequate shade anchor system.
- When opening a TUUCI parasol, separate each rib 10 inches from the center post, before raising the hub. Do not force hub if it does not rise easily.
- When closing the parasol, pull the fabric out from between the struts to avoid pinching or damaging the TUFF-SKIN canopy membrane.
- TUUCI recommends that all collapsible shade equipment be closed in wind conditions which exceed 25 MPH.
- Clean above ground parasol bases regularly to maintain appearance. To clean, gently wash with soap and water using a nonabrasive cloth or pad.
- Check bolts in security stem regularly to ensure that they remain fully tightened.
- Do not roll Aluma-crete (Aluminum Shell, Concrete Filled) bases on their side as damage to shell or finish can occur.
- Do not use on stairways or over distances which exceed 50 feet, as damage to welded wheel tray may occur.
- Canopy should be cleaned regularly and can be cleaned without being removed from the frame. Hose down and clean with a mild soap and lukewarm water (no more than 100° F) using a soft bristle brush. Rinse thoroughly to remove soap. Allow fabric to air dry. TUUCI Parts can be purchased at [parts@tuuci.com](mailto:parts@tuuci.com).
- Do not use a pressure washer to clean canopes.