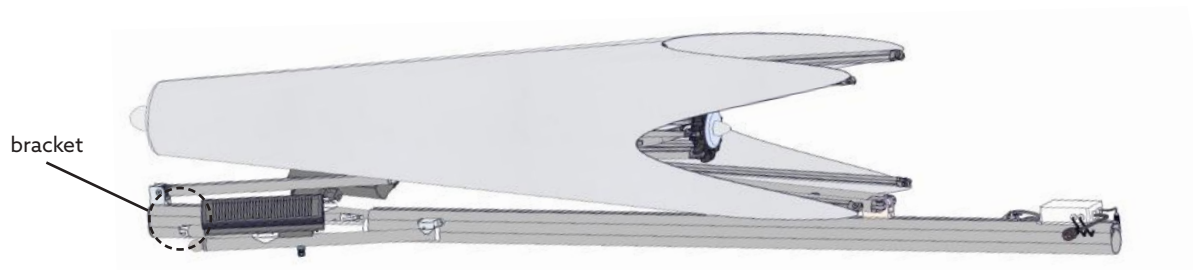


# MAX SINGLE CANTILEVER LIGHTS AND HEATERS

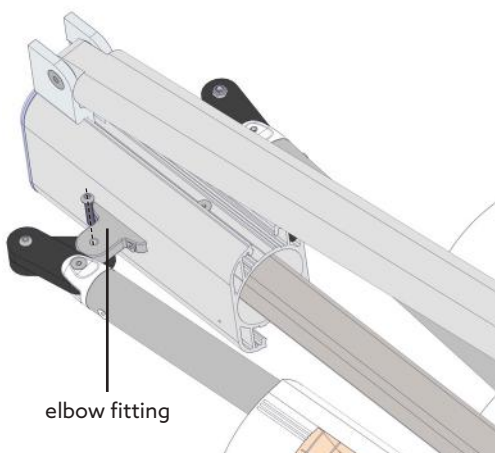
## Step 1

Remove all packaging from in and around umbrella and lay flat on the floor. To prevent damage to the umbrella lay a soft cloth or cardboard on the floor.



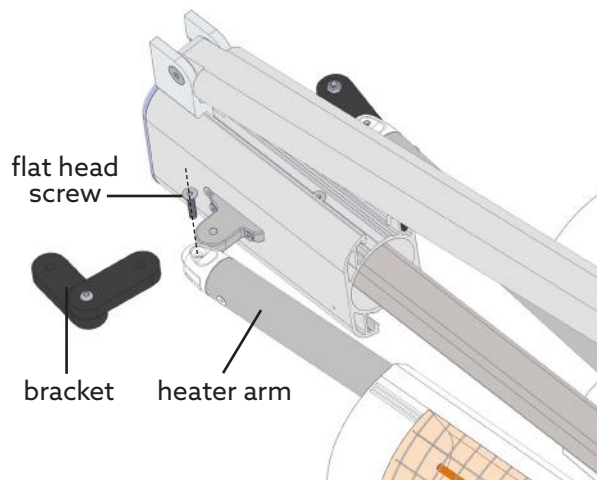
## Step 2

Remove hex screw from elbow fitting.



## Step 3

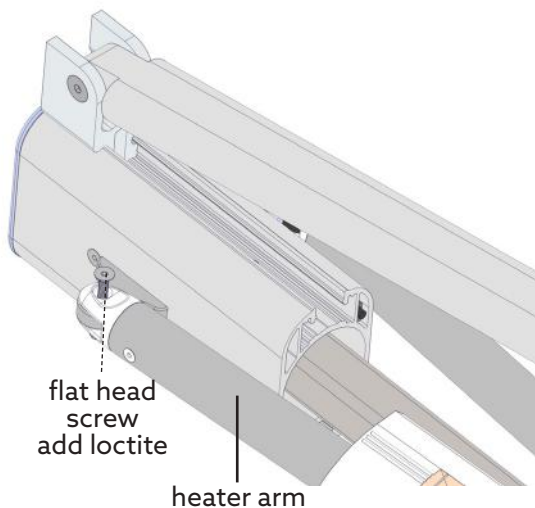
Remove flat head hex screw from heater arm and bracket. Discard bracket and save screw for next step.



## Step 4

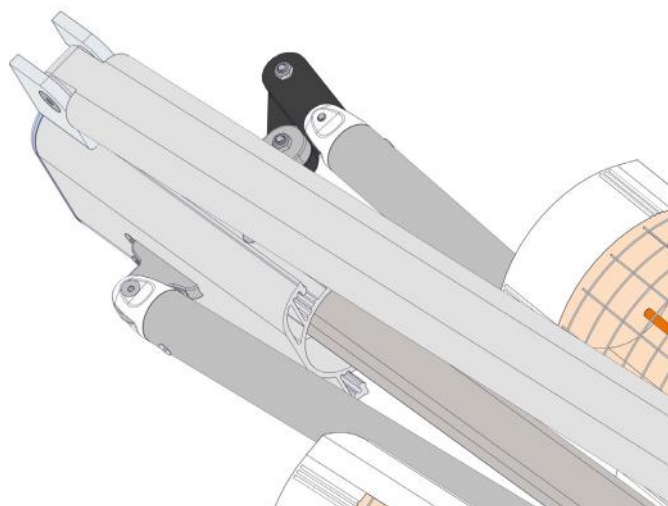
Mount heater arm to elbow fitting with flat head screw from previous step.

Note: add a drop of provided loctite to the end of the screw threads.



## Step 5

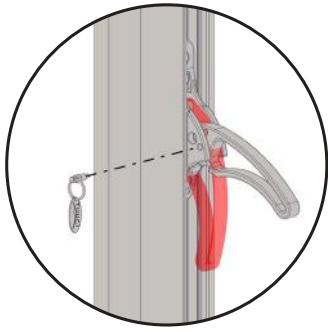
Repeat step 1 through 4 for all heater arms.



# LIGHT AND HEATERS

## Step 6

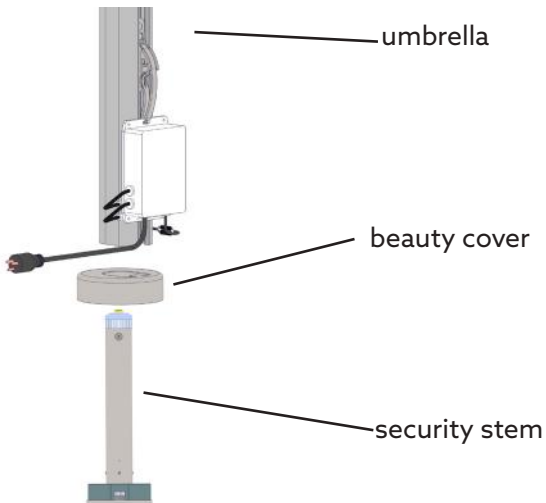
pull pin from cam lock and lift the handle to unlock umbrella



## Step 7

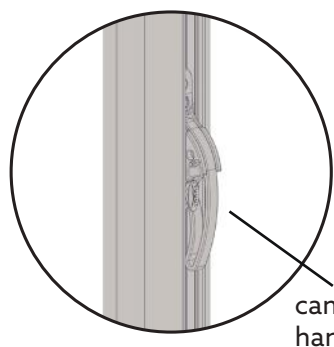
Once you have leveled the stem using the base installation instructions, slide the beauty cover and umbrella over the security stem (security stem is included with umbrella).

**Note: Ensure that cables are not pinched when inserting the umbrella over the security stem and when installing the beauty cover.**



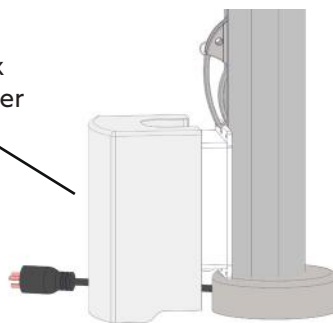
## Step 8

lock umbrella down by pushing the cam lock handle in the down position and reinsert the pin. Mount beauty cover over control box.



control box  
beauty cover

cam lock handle



# LIGHT AND HEATERS



## Step 9

Plug in your umbrella into a 220V receptacle. The TUUCI logo on the user control panel will be backlit in white, when the umbrella is properly plugged into the power source.



## Step 10

Press the Power button to turn on the umbrella. The button will be backlit in red when the power is ON. In addition, when the umbrella is ON, the light icon and heater icon will be backlit in white.

## Step 11

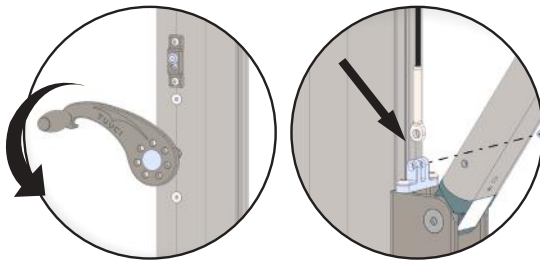
Make sure the gear lock button is in the top position before turning the crank handle.



## Step 12

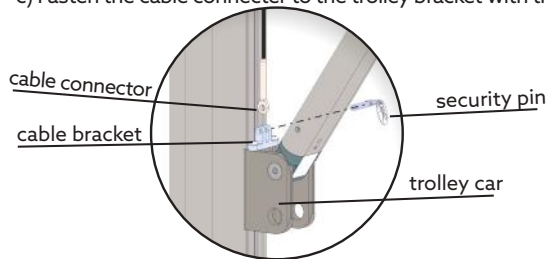
Insert and rotate the crank handle counter-clockwise until the cable connector is inline with the cable bracket.

Note: The canopy and umbrella will remain closed. It is important to keep tension on the cable connector as you continue turning the crank in a counter-clockwise position.



## Step 13

- Pull the security pin from the trolley car bracket.
- Pull the cable connector so it aligns with the trolley car bracket.
- Fasten the cable connector to the trolley bracket with the security pin.



## Step 14

Gently separate each rib individually from the center hub approximately 10 inches. If the rib does not move easily, do not force. Inspect the product for additional packaging.



## CAUTION

*Ensure that your umbrella is level (not tipped or tilted). For safety reasons, if the umbrella is tipped, you will not be able to turn-on the Ambia LED light and heaters.*

*Ensure that there is nothing blocking the canopy of the umbrella from being fully opened.*

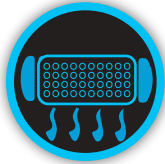
# LIGHT AND HEATERS

## TURN ON LIGHT AND HEATERS



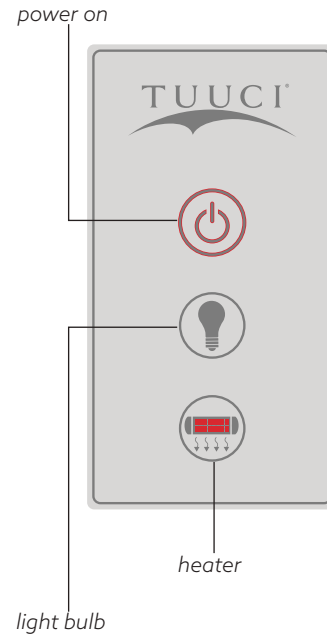
### Turning the Ambia LED light on

Press the light bulb icon button to turn-on the Ambia LED light. The color will change from white to blue after pressing the button, signaling that the light is ON.



### Turning the heaters on

Press the heater icon button to turn-on the heaters. The color will change from white to blue, signaling that both heaters are ON.



## CLOSING UMBRELLA

Instructions to turn-off the Ambia LED light and (2) heaters.



### Step 1

Press the heater icon button to turn-off both heaters. After pressing the button, the color will change to white, signaling that both heaters are OFF.



### Step 2

Press the light bulb icon button to turn-off the Ambia LED light. After pressing the button, the color will change to white, signaling that the light is OFF.



### Step 3

Press power button to turn off the umbrella.

### Step 4

Close the umbrella with tie-back when not in use.

### NOTE:

*Umbrella should not be closed entirely until heaters have cooled down.*



*Allow at least 15 min. for heaters to cool.*

close umbrella during consistent wind conditions that exceed 25mph.

# LIGHT AND HEATERS FEATURES AND FUNCTIONS



## Emergency shut-down or interrupt Feature

Press the Power button to shut-down or interrupt the operation of any function (Ambia LED light and heaters). The red light on the Power button will turn OFF. The white lights on the heater icon and the light icon will turn OFF. Press the Power button to turn the umbrella back ON.



## Control panel indicator when the Umbrella is not level (tipped or tilted on an angle)

The Power button will be flashing in yellow when the umbrella is not level. All functions (Ambia LED light and heaters) are inactive. The TUUCI logo is not backlit. When the umbrella is level and no longer tipped or tilted, it will return to a powered down state with the TUUCI logo backlit in white and all other functions OFF. Press the Power button to turn-on the umbrella. Then, turn-on the various functions.



## Lock-out unauthorized users from turning-on or -off various features of the Umbrella

There is a lock-out feature to prevent unauthorized user access. To turn-on the lock-out feature, press and hold the Power button for 5 seconds. All functions (Ambia LED light and heaters) will maintain their original state of ON or OFF. The power button will be a solid yellow when the lock-out feature is activated.

To turn-off the lock-out feature, press and hold the Power button for 5 seconds. All functions (Ambia LED light and heaters) will maintain their current state of ON or OFF. Users will have access again to turn ON-OFF the various functions.

If the Power button is pressed during a lock-out condition, activating the emergency shut-down or interrupt feature, the Ambia LED light and heaters will be turned-off. All icon button lights will be OFF, except for the TUUCI logo.



## Heater Automatic Turn Off Safety Feature

As a safety feature, the heaters on the Automated Umbrella will automatically turn off after 2 hours of operation. To turn the heaters back on, press the heater icon button.

### Lights and (2) Heaters Electrical Specs:

Power Supply:	
Main Input Voltage:	208-240VAC 50/60 Hz
Max. Amps:	13.7 A @220Volts AC 12.6 A @240Volts AC
Max. Watts:	3010 Watts

North America version:  
208-240V, 2 phases 60Hz (requires a minimum 15 Amp circuit)  
Umbrella comes with 10ft Power Cord & Plug  
(Use with 20A - 250 Volts, NEMA 6-20R Receptacle compatible with NEMA 6-20P Plugs)

Europe version:  
220-240V, 1 phase 50Hz (requires a minimum 16 Amp circuit)  
Umbrella comes with 10ft Power Cord & Plug  
(Use with 16A - 250 Volts, Schuko Receptacle compatible with Schuko 16A - 250 Volts Plug)

Customer must connect to a protected power source circuit with proper Current Rating "Amps", near the umbrella, using an above ground Junction box, according to their local electrical codes and regulations.

### warnings & safety instructions

1. Read and understand entire owner's manual before assembling or operating umbrella.
2. Read and understand the warnings posted on the umbrella and/or components installed on the umbrella.
3. Disconnect electrical power to umbrella during inclement weather.
4. There is a risk of fire if heaters contact flammable materials or liquids.
5. Keep children away from power cords on or around umbrella.
6. Disconnect power before removing or servicing umbrella.
7. Allow sufficient cooling of heaters before closing umbrella.
8. Do not use this umbrella for other than its intended use.
9. Replace warning labels if they become obscured or removed.
10. Make sure the umbrella is properly grounded if there are electrical devices installed such as heaters.
11. Provide for adequate space to open and close umbrella without obstructions.
12. Customer's electrical power source connections if any, are to be installed / connected by a certified electrician. check local codes for guidance.
13. When closing / opening umbrella keep hands and face clear of all pinch points, or protruding umbrella components.

for frequently asked questions visit [tuuci.com/automationCL](http://tuuci.com/automationCL)